

REVISION RECORD		
REV	REVISIONS DONE OR ECO NUMBER:	DATE:
A.00	FINAL CHANGES. RELEASED TO PRODUCTION	5/30/97
B.00	FIXED KEY LISTEN SWITCH	8/21/97

A	CHAN 1		COMPANY: <b>SYMETRIX INC.</b> 14926 35th Avenue West Lynnwood, WA 98037-2303 USA	
	DRAWN: <b>R&amp;B Reams</b>	DATED: <b>11/26/96</b>	TITLE: <b>562 GATE/EXPANDER - CH1</b>	REV: <b>B.00</b>
RELEASED:			DRAWING NO: <b>562E1B00</b>	SHEET: <b>1 OF 7</b>

6

5

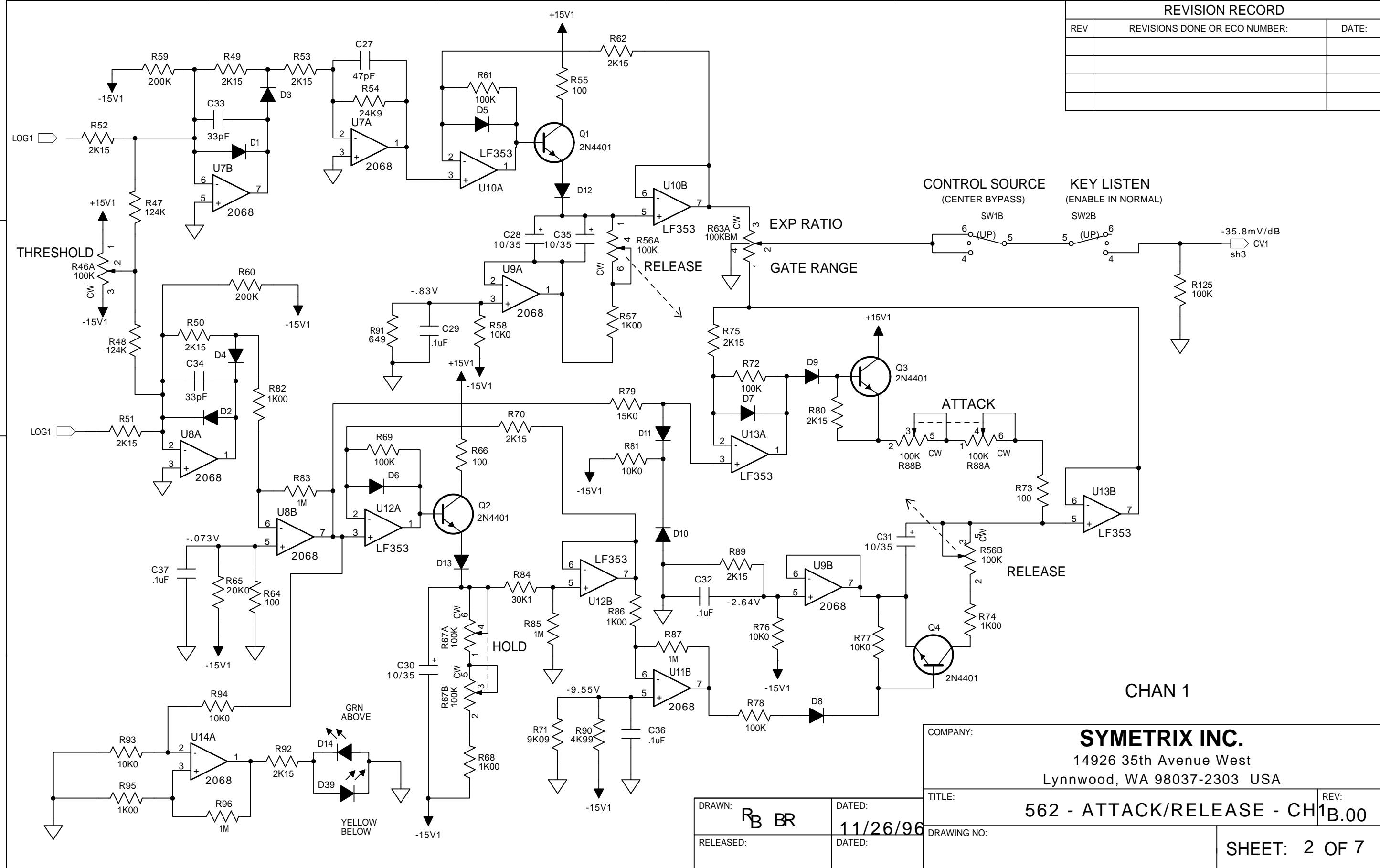
4

3

2

1

REVISION RECORD		
REV	REVISIONS DONE OR ECO NUMBER:	DATE:



D

D

C

C

B

B

A

A

COMPANY: **SYMETRIX INC.**  
 14926 35th Avenue West  
 Lynnwood, WA 98037-2303 USA

TITLE: **562 - ATTACK/RELEASE - CH1**

REV: **B.00**

DRAWN: **R<sub>B</sub> BR** DATED: **11/26/96**

RELEASED: DATED:

DRAWING NO: SHEET: **2 OF 7**

CHAN 1

6

5

4

3

2

1

D

C

B

A

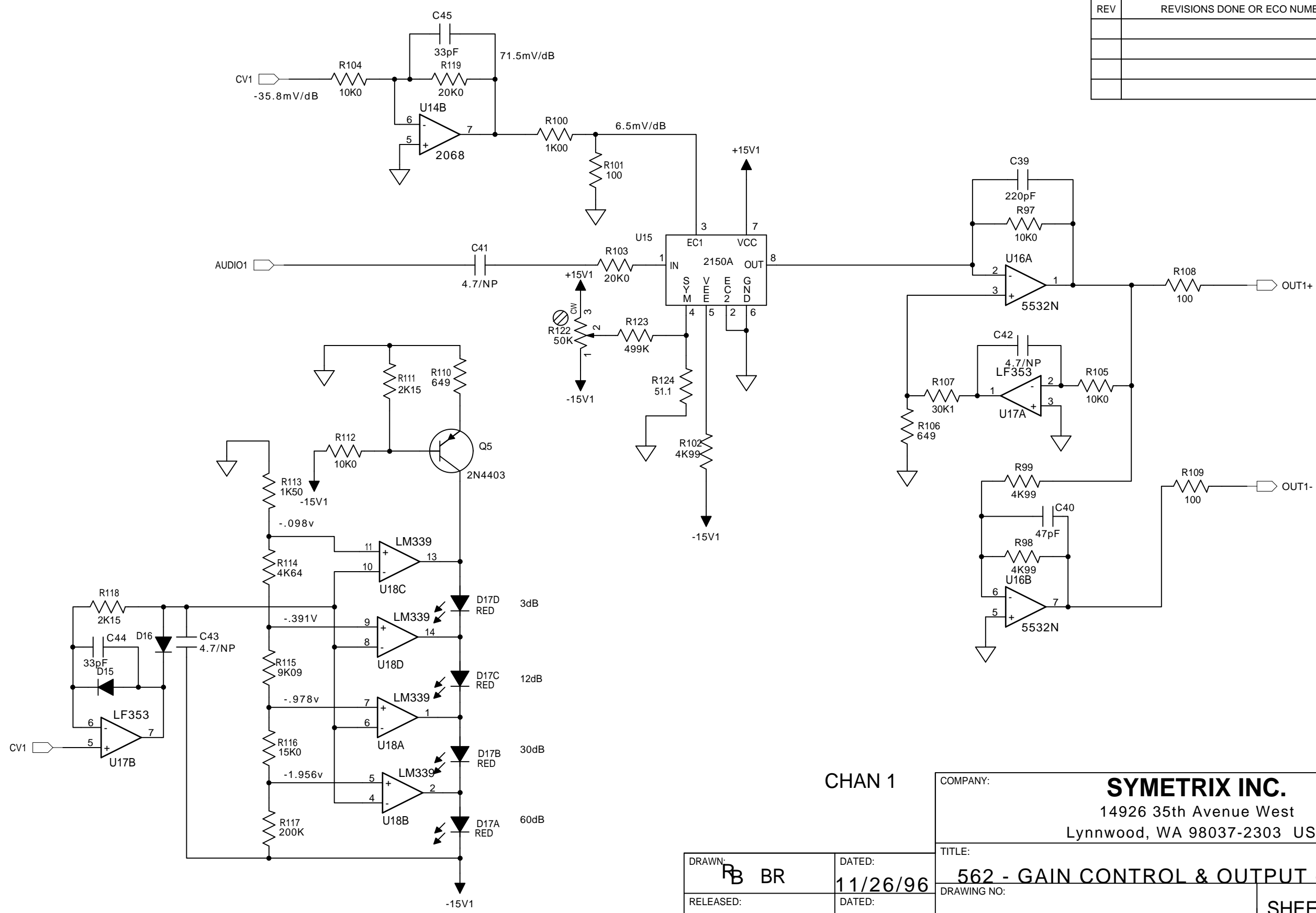
REVISION RECORD		
REV	REVISIONS DONE OR ECO NUMBER:	DATE:

D

C

B

A



CHAN 1

COMPANY:		<b>SYMETRIX INC.</b>	
		14926 35th Avenue West Lynnwood, WA 98037-2303 USA	
TITLE:		<b>562 - GAIN CONTROL &amp; OUTPUT - CH1</b>	
DRAWING NO:		REV: B.00	
SHEET: 3 OF 7			

DRAWN: <b>RB BR</b>	DATED: <b>11/26/96</b>
RELEASED:	DATED:

6

5

4

3

2

1

D

D

C

C

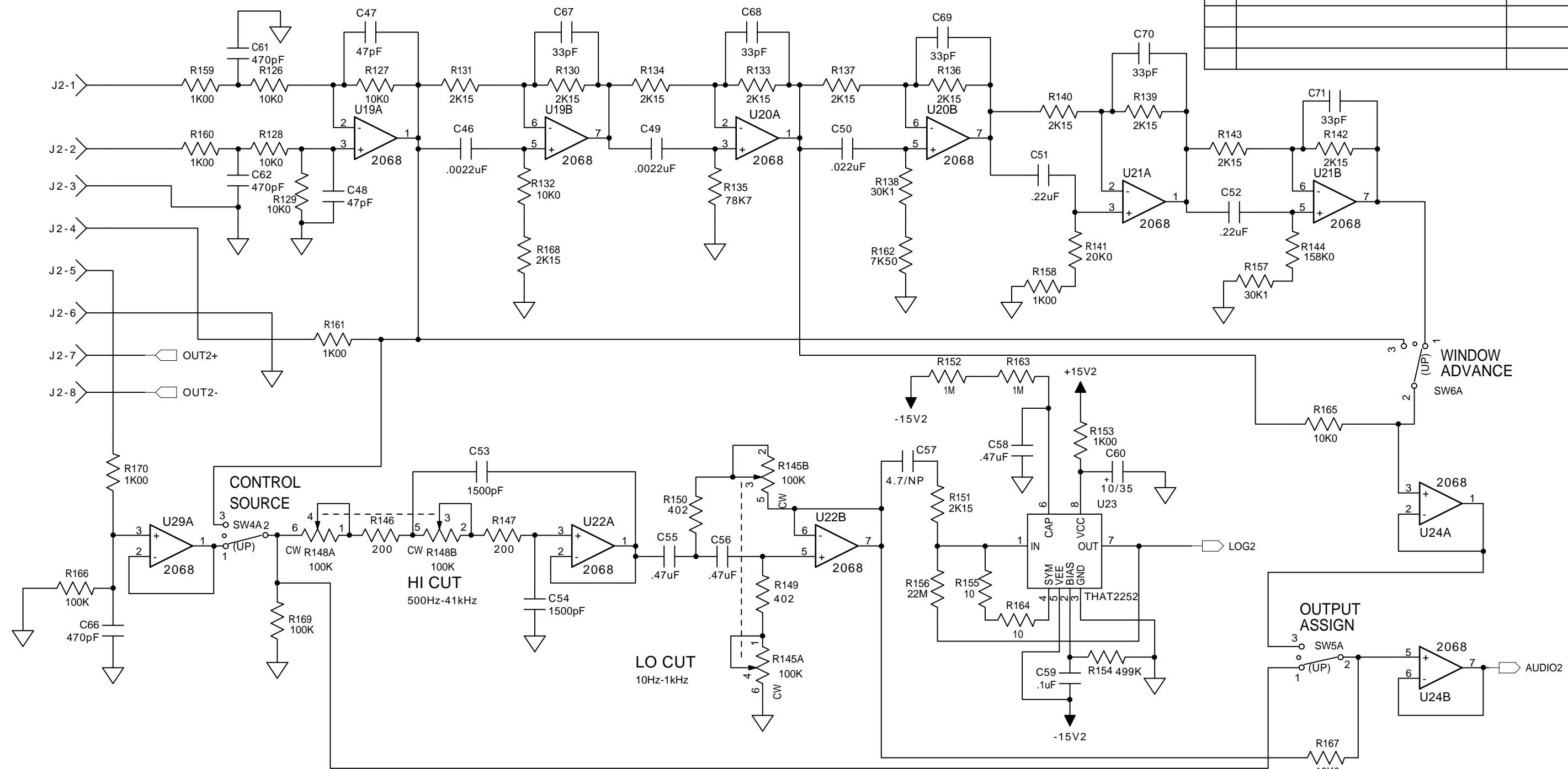
B

B

A

A

REVISION RECORD		
REV	REVISIONS DONE OR ECO NUMBER:	DATE:

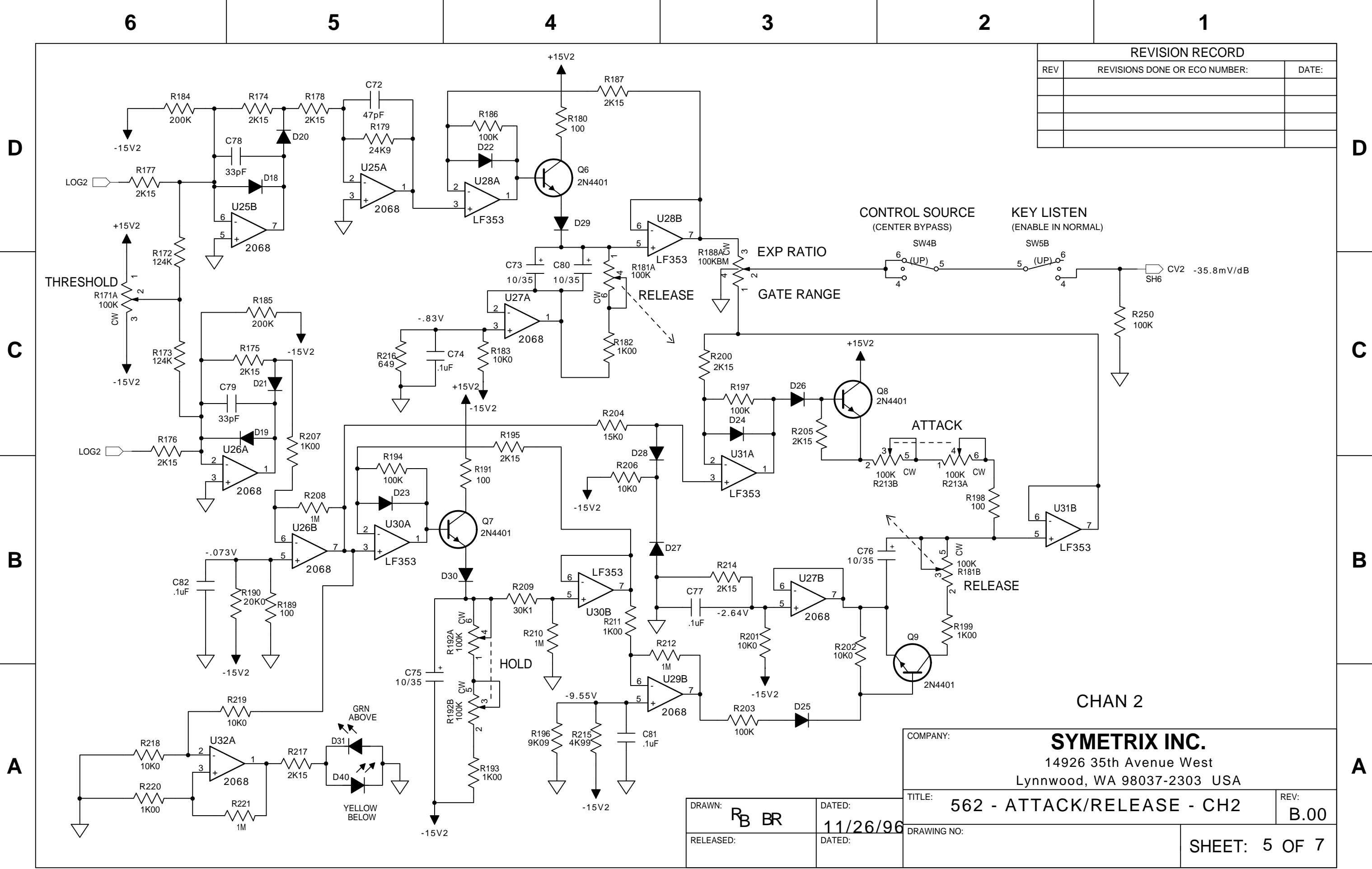


CHAN 2

COMPANY: **SYMETRIX INC.**  
 14926 35th Avenue West  
 Lynnwood, WA 98037-2303 USA

DRAWN: **R.B. & Reams**  
 DATED: **11/26/96**  
 RELEASED:  
 DATED:

TITLE: **562 GATE/EXPANDER - CH2**  
 REV: **B.00**  
 DRAWING NO: **562E1100**  
 SHEET: **4 OF 7**



REVISION RECORD		
REV	REVISIONS DONE OR ECO NUMBER:	DATE:

COMPANY: **SYMETRIX INC.**  
 14926 35th Avenue West  
 Lynnwood, WA 98037-2303 USA

DRAWN: <b>R<sub>B</sub> BR</b>	DATED: <b>11/26/96</b>	TITLE: <b>562 - ATTACK/RELEASE - CH2</b>	REV: <b>B.00</b>
RELEASED:	DATED:	DRAWING NO:	SHEET: <b>5 OF 7</b>

6

5

4

3

2

1

REVISION RECORD		
REV	REVISIONS DONE OR ECO NUMBER:	DATE:

D

D

C

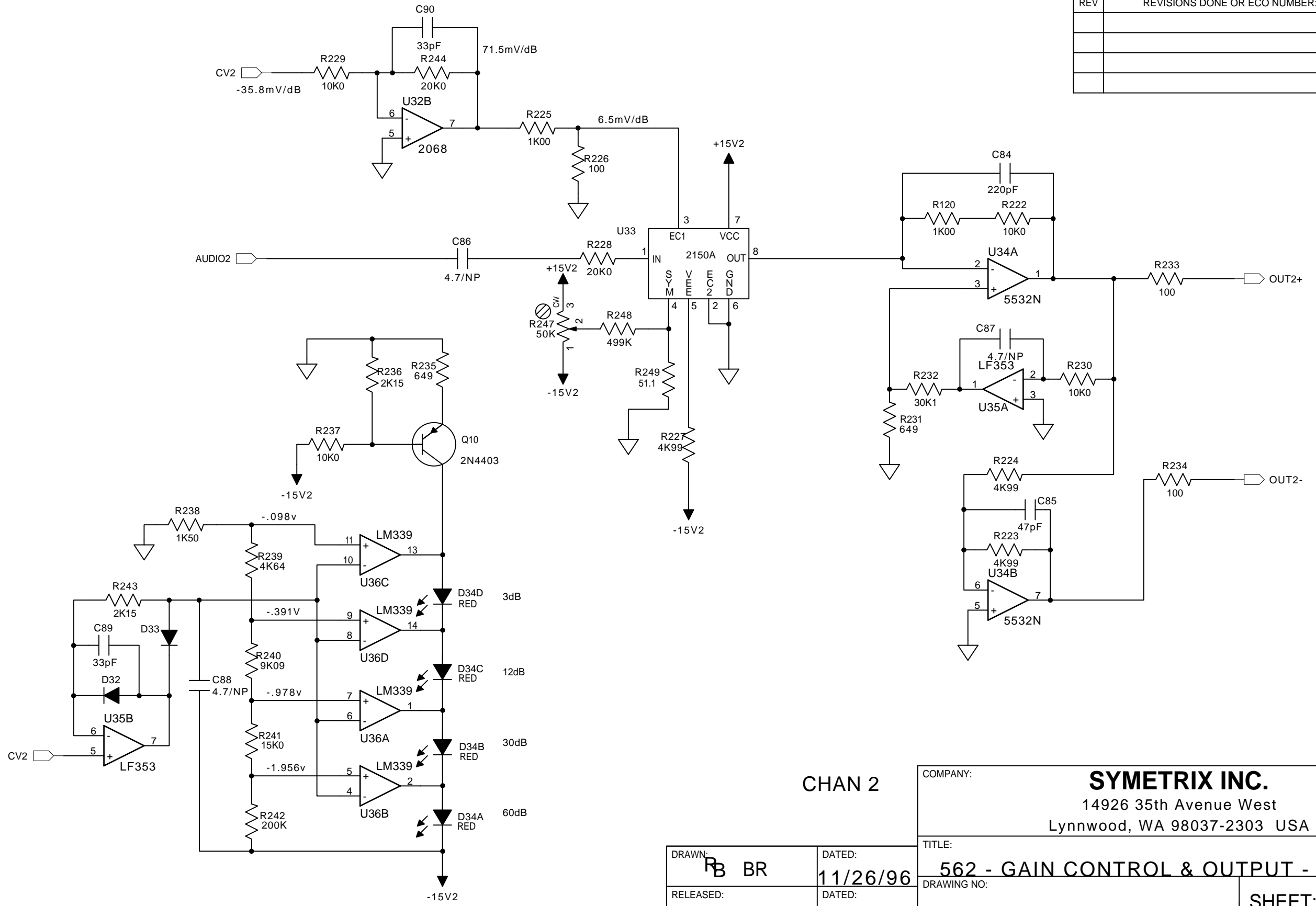
C

B

B

A

A



CHAN 2

COMPANY:		<b>SYMETRIX INC.</b>	
		14926 35th Avenue West Lynnwood, WA 98037-2303 USA	
TITLE:		562 - GAIN CONTROL & OUTPUT - CH2 B.00	
DRAWING NO:		REV:	
SHEET: 6 OF 7			

DRAWN:	DATED:
RB BR	11/26/96
RELEASED:	DATED:

6

5

4

3

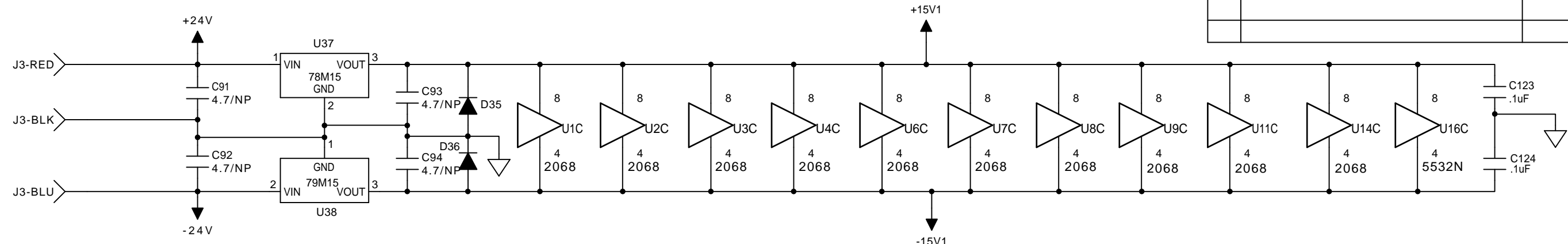
2

1

REVISION RECORD		
REV	REVISIONS DONE OR ECO NUMBER:	DATE:

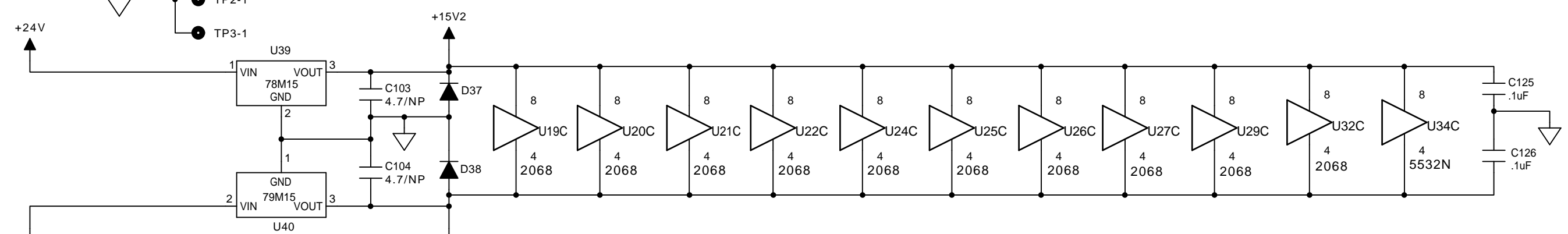
D

D



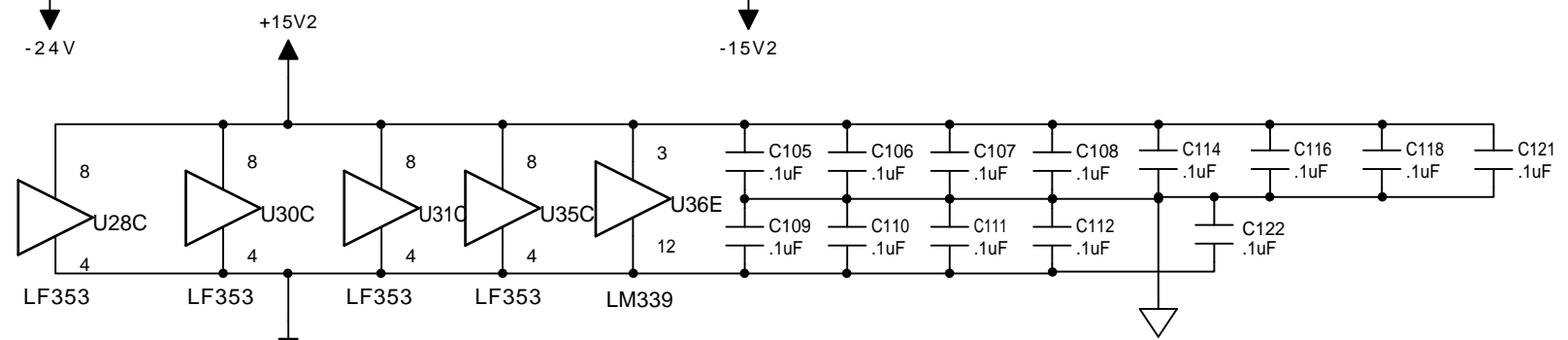
C

C



B

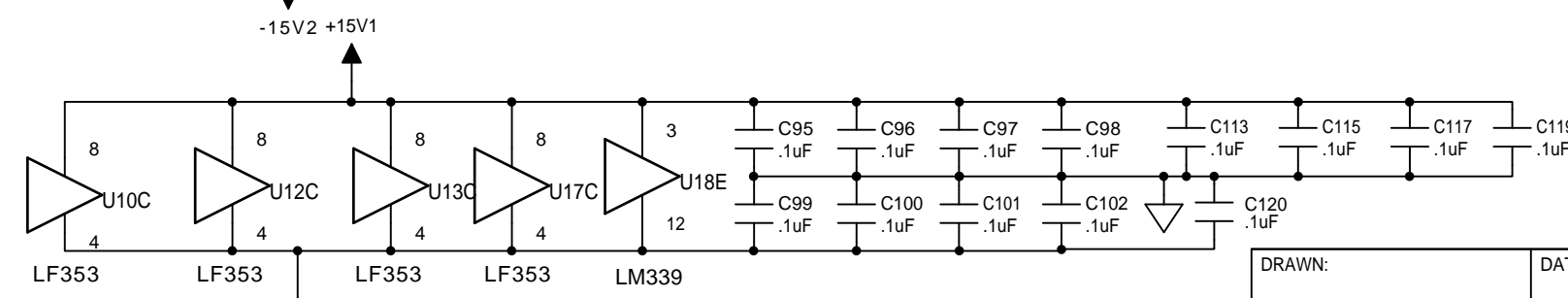
B



NOTE: POT FRAMES ALL CONNECT TO CHASSIS GROUND BY VARIOUS DEVIOS MEANS. SAME FOR TOGGLE SWITCH FRAMES.

A

A



COMPANY:		<b>SYMETRIX INC.</b>	
		14926 35th Avenue West Lynnwood, WA 98037-2303 USA	
TITLE:		<b>562 - POWER</b>	REV: <b>B.00</b>
DRAWING NO:		SHEET: 7 OF 7	

DRAWN:	DATED:
RELEASED:	DATED: