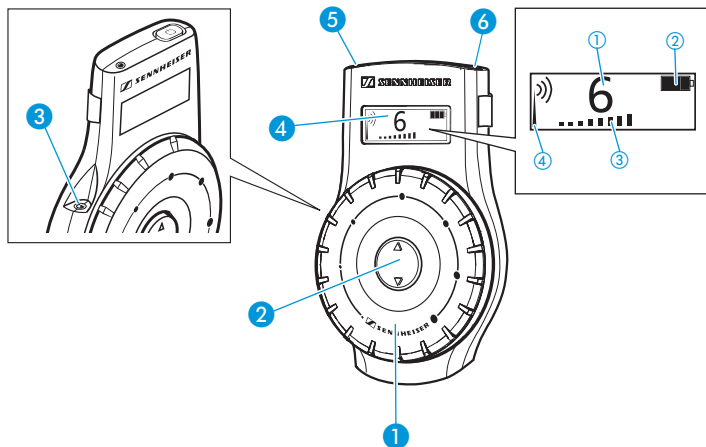


Tourguide System 2020

EK 2020 D

Quick guide



Important safety instructions

- Please read this instruction manual carefully and completely before using the product.
- Make this instruction manual easily accessible to all users at all times. Always include this instruction manual when passing the product on to third parties.
- Do not use the product in situations which require special attention (e.g. when performing skilled jobs).
- Always keep the product dry and do not expose it to extreme temperatures.

Intended use of the product

Intended use of the product includes:

- having read this instruction manual, especially the chapter “Important safety instructions”,
- using the product within the operating conditions and limitations described in this instruction manual.

“Improper use” means using the product other than as described in this instruction manual, or under operating conditions which differ from those described herein.

Safety instructions for Lithium-Polymer rechargeable batteries

If abused or misused, rechargeable batteries may leak or be damaged. In extreme cases, they may even present

CAUTION!



- a heat hazard,
- a fire hazard,
- an explosion hazard,
- a smoke or gas hazard

	Keep away from children.		Dispose of rechargeable batteries at special collection points or return them to your specialist dealer.
	Observe correct polarity.		Do not short-circuit.
	Do not expose to moisture.		Switch rechargeable battery-powered devices off after use.
	Do not continue to use defective rechargeable batteries.		When not using rechargeable batteries for extended periods of time, charge them regularly (about every three months).
	Only charge rechargeable batteries at ambient temperatures between 10°C/50°F and 40°C/104°F.		Do not heat above 70°C/158°F, e.g. do not expose to sunlight or throw into a fire.
	Do not mutilate or dismantle.		Only charge rechargeable batteries with the appropriate Sennheiser chargers.

Rechargeable batteries must only be replaced by authorized Sennheiser partners.

EK 2020 D

The EK 2020 D receiver has been designed for use with the Tourguide System 2020. For details on the use of the receiver, please refer to the instruction manual of the overall system (ID No. 516509, 08/06).


You can obtain the instruction manual separately from your Sennheiser dealer or download it from www.sennheiser.com.

Delivery includes

10 EK 2020 D receivers

1 quick guide

Product overview

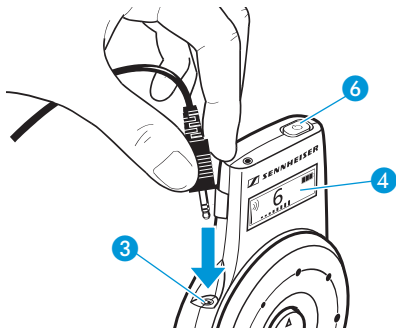
- ① Volume control
- ② Channel selection button ▲/▼
- ③ Headphone socket
- ④ LC display
- ⑤ LED for charge status
- ⑥ ON/OFF button 
- ① Channel display
- ② Battery status display
- ③ Volume display
- ④ RF signal indication

Overview of the LED indications

LED	Meaning
shortly lights up green	The receiver is correctly inserted into the charging compartment
lights up red	The rechargeable battery is being charged
lights up green	The rechargeable battery is fully charged
slowly flashes red	The temperature of the rechargeable battery is too high, charging is interrupted


Using the EK 2020 D

You can connect an induction loop or any pair of headphones with a 3.5 mm mono or stereo jack plug to the headphone socket ③ of the EK 2020 D. The headphone impedance must be 32 Ω or higher.




- ▶ Connect the induction loop or the 3.5 mm jack plug of your headphones to the headphone socket ③ of the EK 2020 D.

To switch the receiver on:

- ▶ Briefly press the ON/OFF button ⑥ .
The display ④ switches on.

To switch the receiver off:

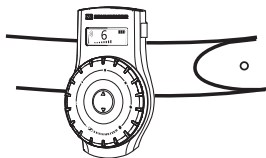
- ▶ Press the ON/OFF button ⑥  for 3 seconds.



When you unplug the headphones from the receiver or switch off the transmitter, the receiver automatically switches off after 5 minutes.

Attaching the EK 2020 D to clothing or a belt

- ▶ Use the clip to attach the receiver to your clothing or your belt.



Accessories and spare parts

Only use original Sennheiser accessories and spare parts, otherwise the product quality can be impaired or the product can be damaged.

Cat. No. [Accessory/spare part](#)

504061 EZT 3012 induction loop

Specifications

Modulation	2 FSK
RF frequency range	863–865 MHz
RF frequency range (US)	926–928 MHz
Channels	
• for the Tourguide system	6
• for conferences	8
AF frequency response	100–7,000 Hz
Headphone output	3.5 mm jack socket
Power supply	Lithium-Polymer rechargeable battery, 1,500 mAh
Operating time	approx 16 hrs
Charging time	approx. 5 hrs
Dimensions	97,5 x 60,4 x 24,3 mm
Weight	75 g

Type approvals

In compliance with:

Europe



EMC EN 301489-1/-9
Radio EN 301357-1/-2, class 1
Safety EN 60065

USA



47 CFR 15 subpart B

Approved by:

Canada

Industry Canada RSS 210
IC: 2099A-EK 2020 D

Manufacturer Declarations

Warranty

Sennheiser electronic GmbH & Co. KG gives a warranty of 24 months on this product.

For the current warranty conditions, please visit our website at www.sennheiser.com or contact your Sennheiser partner.

In compliance with the following requirements

- RoHS Directive (2002/95/EC)
- WEEE Directive (2002/96/EC)



Please dispose of this product at the end of its operational lifetime by taking it to your local collection point or recycling center for such equipment.

- Battery Directive (2006/66/EC)



The supplied batteries or rechargeable batteries can be recycled. Please dispose of them as special waste or return them to your specialist dealer. In order to protect the environment, only dispose of exhausted batteries.

CE Declaration of Conformity

- **CE 0682**
- R&TTE Directive (1999/5/EC)

The declaration is available at www.sennheiser.com. Before putting the device into operation, please observe the respective country-specific regulations.

Statements regarding FCC and Industry Canada

This device complies with Part 15 of the FCC Rules and with RSS-210 of Industry Canada. Operation is subject to the following two conditions: (1) this device may not cause harmful interference, and (2) this device must accept any interference received, including interference that may cause undesired operation.

This equipment has been tested and found to comply with the limits for a Class B digital device, pursuant to Part 15 of the FCC Rules. These limits are designed to provide reasonable protection against harmful interference in a residential installation. This equipment generates, uses and can radiate radio frequency energy and, if not installed and used in accordance with the instructions, may cause harmful interference to radio communications. However, there is no guarantee that interference will not occur in a particular installation. If this equipment does cause harmful interference to radio or television reception, which can be determined by turning the equipment off and on, the user is encouraged to try to correct the interference by one or more of the following measures:

- Reorient or relocate the receiving antenna.
- Increase the separation between the equipment and receiver.
- Connect the equipment into an outlet on a circuit different from that to which the receiver is connected.
- Consult the dealer or an experienced radio/TV technician for help.

Changes or modifications made to this equipment not expressly approved by Sennheiser electronic Corp. may void the FCC authorization to operate this equipment.

Before putting the device into operation, please observe the respective country-specific regulations!

