

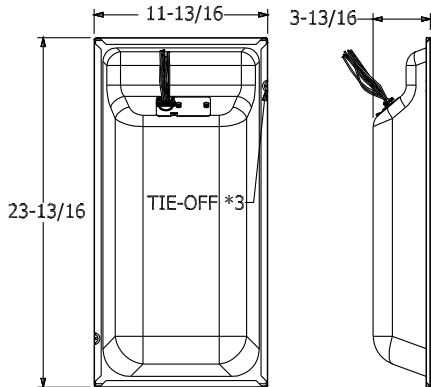


Quam

SYSTEM18

Complete 1' x 2' class UL Listed Speaker System
Sealed and tuned enclosure, 70V Rotary select

TILE REPLACEMENT LOUDSPEAKER ASSEMBLY



GENERAL DESCRIPTION

The SYSTEM18 Series is a complete shallow depth, lightweight loudspeaker assembly with a 4" O.D. woofer and 1" HF dome tweeter, multi-tap transformer, perforated steel baffle and integral molded 711 CID fiber enclosure. Cable clamp is included; four (4) seismic tie-off points. No assembly required. Includes one 24" T bar to finish edge.

Grille finish: Baked epoxy hybrid

SYSTEM COMPONENTS

Transformer	70V 20W-5 tap Rotary select (20W, 10W, 5W, 2.5W, 1.25W)
-------------	---

AUDIO SPECIFICATIONS

Average Sensitivity	89 dB-SPL 1W/1M
Loudspeaker Power Rating	20W-RMS EIA 426A Standard
Calculated Maximum System Output	101 dB-SPL 20W/1M
Frequency Response	80 Hz -20 kHz EIA 426A Standard
Nominal Coverage Angle	100° included angle -6 dB/ 2 kHz half space
Audio Connection	Pre-cut 7" color-coded leads

MODELS

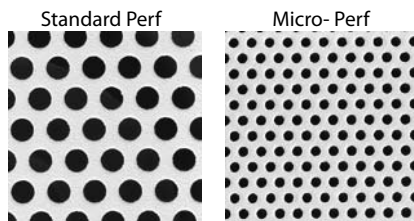
GRILLE OPTIONS

SYSTEM18	Standard Perf White
SYSTEM18/B	Standard Perf Black
SYSTEM18/MP	Micro-Perf White
SYSTEM18/B/MP	Micro-Perf Black

INTENDED USE

Indoor environment, mounted parallel to floor plane in a 24" wide suspended ceiling tile grid.

Program Material: Signal tones, voice and music.



Shown as 1" square samples

Recommended construction sequences, installation instructions and A&E Specifications, EASE .GLL / .CFL data files are available in various formats in the QUAM Architects' and Engineers' Resources section on the web at: www.QuamSpeakers.com

QUAM-NICHOLS COMPANY

234 East Marquette Road, Chicago IL 60637
Phone: (800) NEED NOW Fax: (888) NEED NOW
(800) 633-3669 (888) 633-3669

E-Mail: NeedNow@QNC.com www.QuamSpeakers.com

