



CIS991

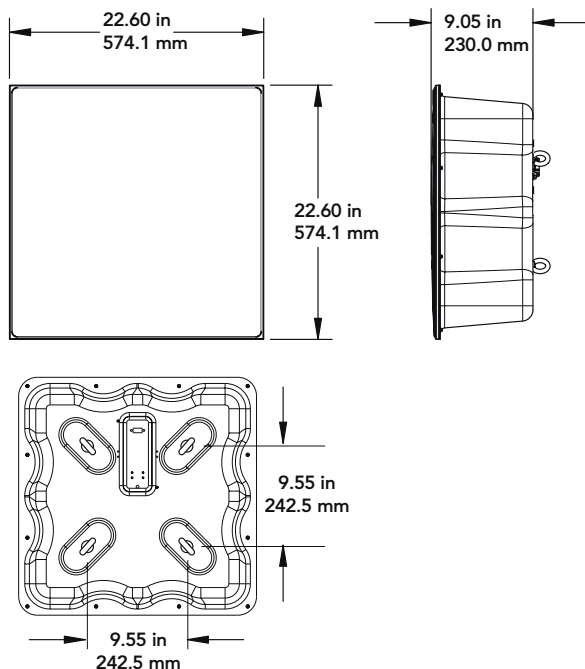
High-Output Ceiling-Mounted Loudspeaker

DESCRIPTION

The CIS991 ceiling loudspeaker features a powerful 3-way design that provides exceptional performance, especially in high ceiling, large-space applications. The CIS991 (80-degree by 80-degree dispersion) incorporates four 5.25-inch LF cone woofers, four 4-inch MF cone woofers and a 1-inch-exit HF compression driver mounted on a large horn that foster superior pattern control. The application of proprietary frequency shading techniques facilitates the eight cone woofers working together to provide LF output and impact equal to that of a 12-inch LF woofer.

The CIS991 is supplied with an integral 70V/100V line transformer, rated to a maximum of 128 watts. Tap settings are adjustable by means of a recessed rotary switch on the front bezel that allows selection of 128-, 64-, 32-, and 16-watt taps at 70 volts, and 128-, 64-, and 32-watt taps at 100 volts. In addition, the transformer can be bypassed, presenting an 8-ohm load to low-impedance systems.

A sealed, painted, 18-gauge steel back can is square in shape, and designed to mount in a 24-inch ceiling grid. The back can includes a recessed Euroblock input connector, with detachable mating plug, concealed behind a hinged metal cover plate. A ceramic screw terminal block is also present. Mounting is accomplished using the integral eyebolts on the rear to suspend the loudspeaker with optional, adjustable, wire rope rigging. A cable clamp secures the incoming loudspeaker cable.



Features

- 3-way design for very high-quality, high-output reproduction
- Frequency-shaded passive crossover
- Unique driver array for wide-bandwidth pattern control
- 70.7/100V transformer with power-tap selector
- Fully appointed one-piece back can

Applications

- Meeting Rooms
- Houses of Worship
- Courtrooms
- Multizone Paging/Music Systems
- Hotels
- Boardrooms
- Multi-Purpose Facilities



CIS991

High-Output Ceiling-Mounted Loudspeaker

SPECIFICATIONS

PRODUCT DATA

Model Name:	CIS991
Part Number:	0026853

SPECIFICATION SHEET TABULAR DATA

Descriptive Data:	<i>Ways</i>	<i>Type</i>	<i>Mode</i>
	3-Way	Full-Range	Single Amp

CONFIGURATION

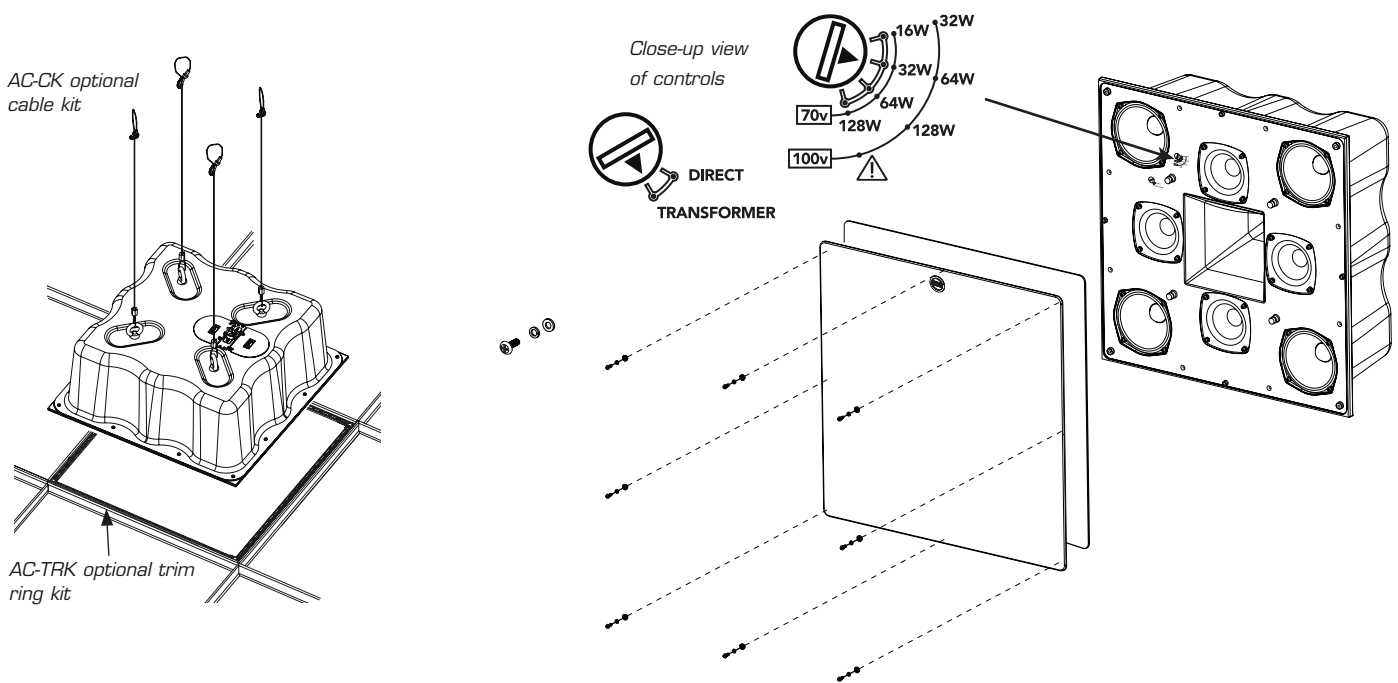
Subsystem:	<i>Transducer</i>	<i>Loading</i>
	LF 4 × 5.25 in cone	Sealed
	MF 4 × 4.5 in cone	Sealed
	HF 1 × 1 in exit	Horn
Operating Mode:	<i>Amplifier Channels</i>	<i>External Signal Processing</i>
	Single-amp LF/MF/HF	HPF

PERFORMANCE

Operating Range:	79 Hz to 20 kHz	
Nominal Beamwidth:	Horz	80°
	Vert	80°
Axial Sensitivity (whole space SPL):	LF/MF/HF 92 dB 79 Hz to 20 kHz	
Input Impedance (ohms):	<i>Nominal</i>	<i>Minimum</i>
	LF/MF/HF 8	6.4 @ 1300 Hz
Input Taps (LF/MF/HF):	70 V: 128 W / 64 W / 32 W / 16 W	
	100 V: 128 W / 64 W / 32 W	
High Pass Filter:	High Pass=>60 Hz, 12 dB/octave Butterworth	
Accelerated Life Test: LF/MF/HF	40 V 200 W @ 8 ohm	
Calculated Axial Output Limit (whole space SPL):	<i>Average</i>	<i>Peak</i>
	LF/MF/HF 114 dB	120 dB

PHYSICAL

Height (front face):	22.60" / 574.1 mm
Width (front face):	22.60" / 574.1 mm
Depth (from face, backwards):	9.05" / 230.0 mm
Weight:	48 lb / 22 kg

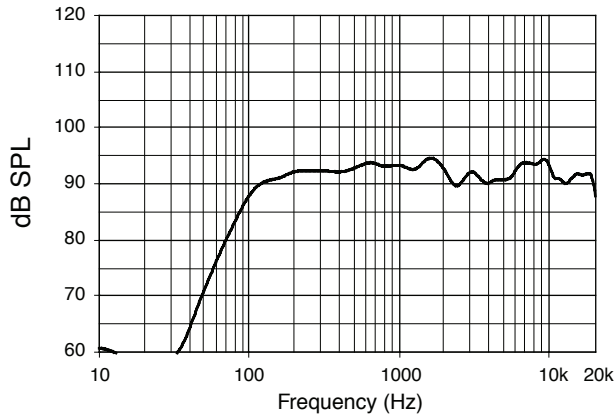




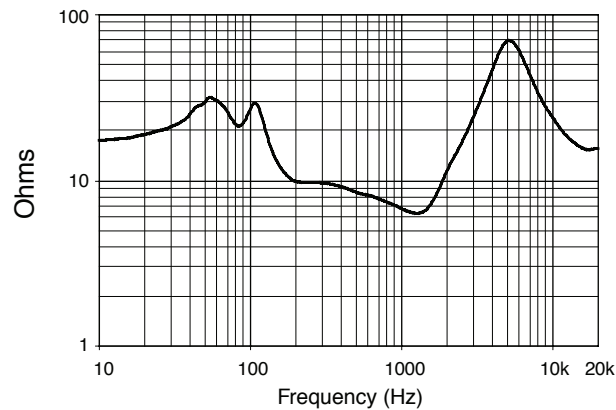
CIS991

High-Output Ceiling-Mounted Loudspeaker

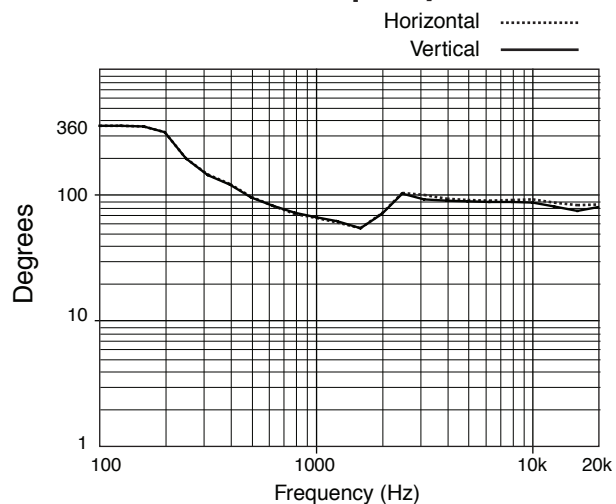
CIS991 Axial Response vs. Frequency



CIS991 Impedance vs. Frequency



CIS991 Beamwidth vs. Frequency

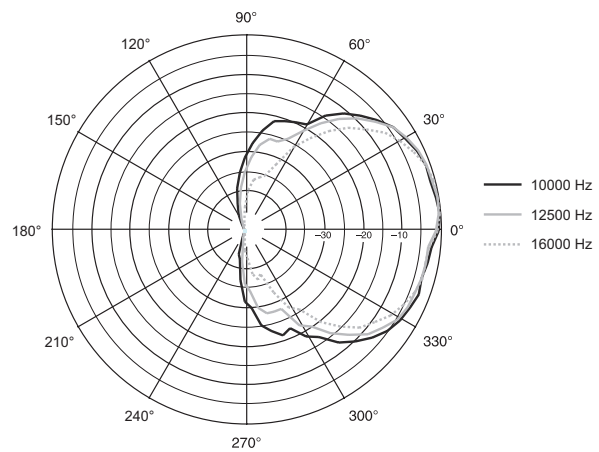
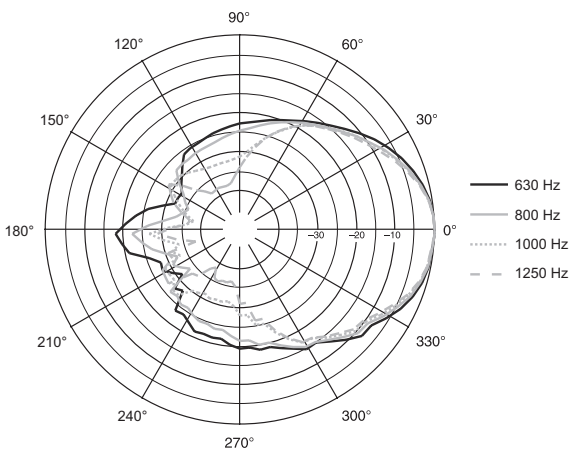
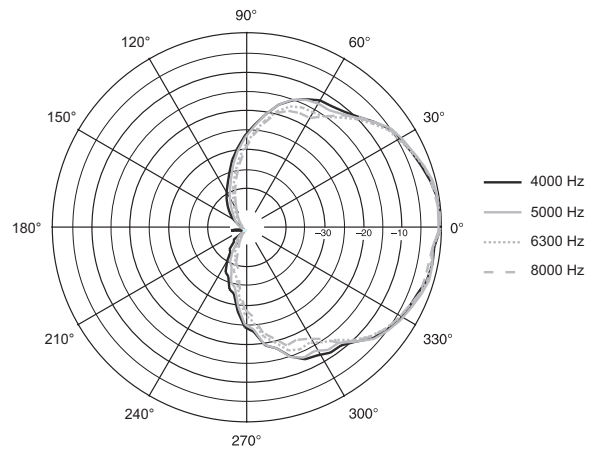
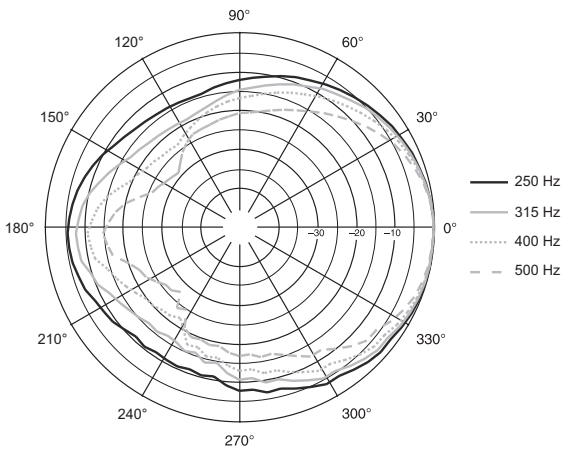
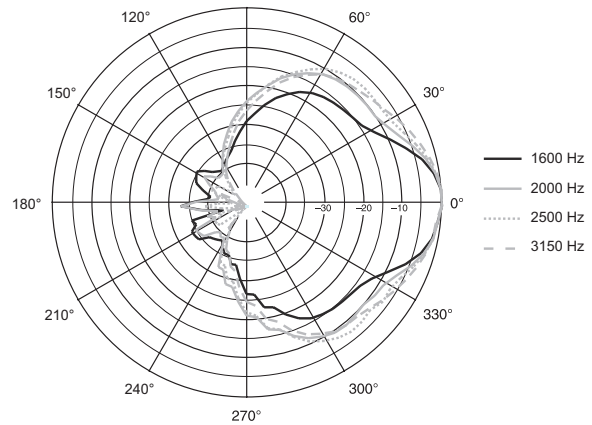




CIS991

High-Output Ceiling-Mounted Loudspeaker

CIS991 Vertical Polars





CIS991

High-Output Ceiling-Mounted Loudspeaker

CIS991 Horizontal Polars

