

# UNI-PMA1

Security Camera Adapter

**SONY**  
make.believe

## Pole Mount Adapter

The UNI-PMA1 is an aluminum pole mount adapter with female inserts and has a white powdercoat finish. The mount is designed to allow a Sony dome housing to be mounted to an existing pole. Dome housing must be used with the wall mount bracket, UNI-WMB1 or the UNI-WMB3. The wall mount on the UNI-MDB3 can also be mounted to the UNI-PMA1.



### KEY FEATURES

- Mounts to poles 3 to 15-inches in diameter.
- Durable powdercoat finish.
- Female inserts.
- All aluminum construction.
- 75 lbs. load rating.

### BID SPECIFICATIONS

- The pole mount adapter shall be a Sony model UNI-PMA1. The adapter shall be constructed of aluminum, and work with all Sony wall mount UNI-WMB1, UNI-WMB3 and the UNI-MDB3. The adapter shall mount to round poles with diameters between 3 to 15-inches (76.2 to 381mm). The UNI-PMA1 has a white powdercoat protective finish.

Note: Stainless steel straps are not included.

## SPECIFICATIONS

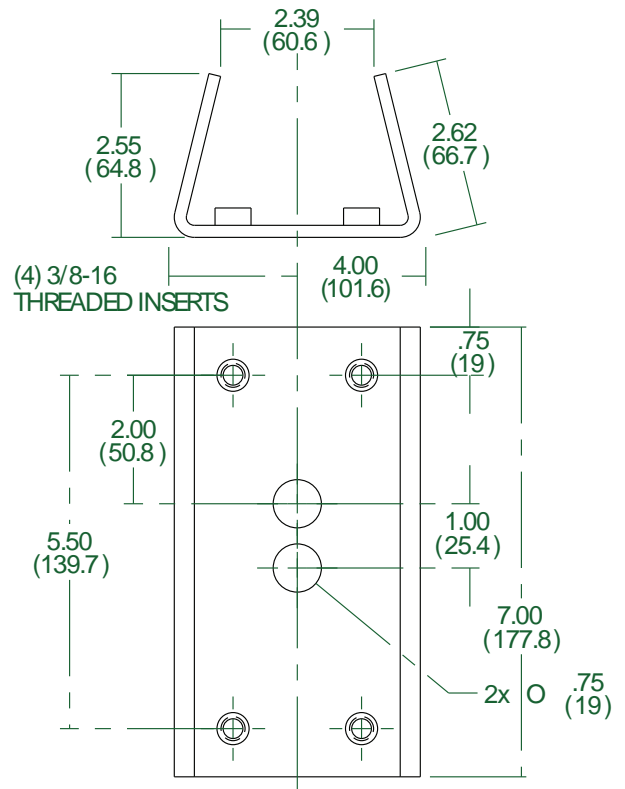
UNI-PMA1	
<b>Architecture / Engineering Specifications</b>	
Size (HxWxD)	7 x 4 x 2.5 inches (178 x 102 x 64mm)
Weight	3 lbs. (1.4 kg)
Body Construction	Aluminum
<b>Shipping</b>	
Weight*	3 lbs. (1.4 kg)
Box dimensions	10 x 10 x 7 inches (253.8 x 253.8 x 177.7mm)
	*Shipping weights are dependent on weight of product and shipping materials
<b>Model Attributes</b>	
Body Construction	Aluminum
Environment	Outdoor
Mounting Style	Pole
RoHS	Yes
WEEE	Yes

## PRODUCT IMAGE



## DIMENSIONS

Unit: inches (mm)



© 2012 Sony Electronics Inc. All rights reserved.  
 Reproduction in whole or in part without written permission is prohibited.  
 Features and specifications are subject to change without notice.  
 Weights and measurements are approximate.  
 Sony and the Sony make.believe logo are trademarks of Sony.

Sony Electronics Inc.  
 1 Sony Drive  
 Park Ridge, NJ 07656  
[sony.com/security](http://sony.com/security)