

# mio



## USER GUIDE

[www.iConnectivity.com](http://www.iConnectivity.com)

 iConnectivity

## WARRANTY INFORMATION

---

iConnectivity warrants to the original purchaser that this unit is free of defects in materials and workmanship under normal use and maintenance for a period of one (1) year from the date of original purchase. The warranty applies only to registered iConnectivity users that register their product(s) within fourteen (14) days of time of original purchase. To register iConnectivity products, visit [iConnectivity.com](http://iConnectivity.com). If the unit fails within the one (1) year period, it will be repaired, or replaced, at iConnectivity's option, at no charge, when returned prepaid to the iConnectivity Technical Service Center with proof of purchase – the sales receipt may be used for this purpose. Installation labor is not covered under this warranty.

All replacement parts, whether new or re-manufactured, assume as their warranty period for only the remaining time of this warranty. This warranty does not apply to damage caused by improper use, accident, abuse, improper voltage service, fire, flood, lightning, or other acts of God, or if the product was altered or repaired by anyone other than iConnectivity Technical Service Center. Consequential and incidental damages are not recoverable under this warranty.

Some states do not allow the exclusion or limitation of incidental or consequential damages, so the above limitation or exclusion may not apply. This warranty gives you specific legal rights, and you may also have other rights, which vary from state to state. No portion of this warranty may be copied or duplicated without the expressed written permission of iConnectivity. THIS WARRANTY IS NOT TRANSFERABLE.

## HOW TO GET SUPPORT

---

iConnectivity provides support through an online ticket system that allows our support team to answer any questions you may have. Please visit our website to open a ticket or call our support line to have a ticket open on your behalf.

### Technical Support Options

Online: <http://www.iConnectivity.com/support>  
Phone: 1-403-457-1122  
Fax: 1-403-775-4168



PLEASE RETAIN THIS MANUAL FOR FUTURE REFERENCE

# INTRODUCTION

Thank you for purchasing the mio MIDI interface from iConnectivity. mio is a 1 in 1 out USB 16 channel MIDI interface to connect your MIDI compatible controller, keyboard, synthesizer, or drum machine to your computer. mio is USB bus powered and is plug and play compatible with Mac and PC.

## FEATURE LIST

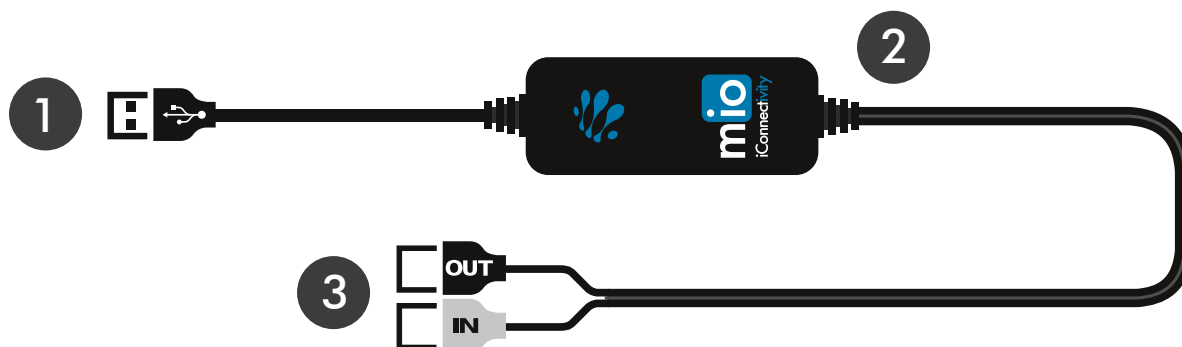
1 in and 1 out set of MIDI DIN ports  
Supports 16 channels of MIDI I/O  
Plug and play - no drivers needed  
USB MIDI Class Compliant

USB bus powered  
MAC and PC compatible  
5ft long USB to MIDI DIN cable

## PACKAGE CONTENTS

mio USB MIDI interface

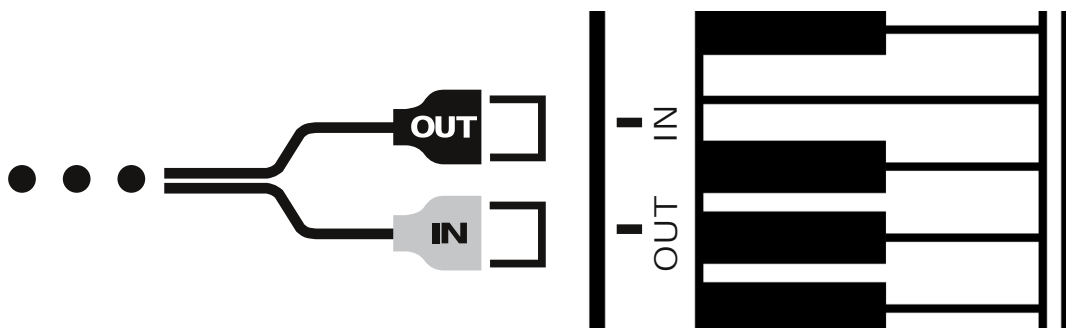
## DEVICE TOUR



- 1 USB Connector - connect this to an available port on the computer
- 2 mio MIDI interface
- 3 DIN Connectors - connect these to a compatible MIDI DIN equipped device

## DIRECTION OF MIDI DATA

The labels on the DIN connectors describes the flow of MIDI data to and from mio. This means that the OUT connector must be connected to the IN jack on your device, and the IN connector to the OUT jack.



# PRECAUTIONS/IMPORTANT NOTES

## Interference with other electrical devices

Radios and televisions placed nearby may experience reception interference. Operate this unit at a suitable distance from radios and televisions.

## Indoor use only

To avoid the risk of electrocution and/or damage to other connected equipment, this equipment must not be used under wet or high moisture conditions. All interconnecting cabling must also be indoors. Should moisture suddenly increase, immediately disconnect power to the equipment.

## Power sources

Ensure that correctly rated power outlets are used with the equipment power supply.

## Heat

Keep this equipment away from all heat sources. Ensure that sufficient ventilation and/or heat dissipation is provided for the equipment and all connected devices.

## Packaging

Keep all packaging materials away from children. Properly dispose of unwanted packaging.

## Handling

To avoid breakage, do not apply excessive force to the switches, connectors or directly to the equipment. Do not apply excessive bending force to the cables. Use the connector casings of cables to attach and detach cables from their receptacles to avoid damage to the cable and/or its receptacles.

## Ingestion

Do not ingest the packaging, equipment, attachments, or accessories. Do not ingest paint or removed parts from the equipment or accessories. If this occurs, immediately seek medical attention.

## Care

If the exterior becomes dirty, wipe with a clean, dry cloth. Do not use liquid cleaners such as benzene or thinner, or cleaning compounds or flammable polishes.

## Keeping foreign matter out of equipment

Never set any container with liquid in it near this equipment. If liquid gets into the equipment, it could cause electrical damage, breakdown, fire, or electrical shock. Be careful not to let metal objects get into the equipment.

## FCC Regulation Warning (USA and Canada)

This equipment has been tested and found to comply with the limits for a Class B digital device, pursuant to Part 15 of the FCC Rules. These limits are designed to provide reasonable protection against harmful interference in a residential installation. This equipment generates, uses, and can radiate radio frequency energy and, if not installed and used in accordance with the instructions, may cause harmful interference to radio communications. However, there is no guarantee that interference will not occur in a particular installation. If this equipment does cause harmful interference to radio or television reception, which can be determined by turning the equipment off and on, the user is encouraged to try to correct the interference by one or more of the following measures:

- Adjust the receiving antenna
- Increase the separation between the equipment and receiver
- Connect the equipment into an outlet on a circuit different from that to which the receiver is connected
- Consult the dealer or an experienced radio/TV technician for assistance

Unauthorized changes or modifications to this system can void the user's authority to operate this equipment.

## IMPORTANT NOTICE TO CONSUMERS

This product has been manufactured according to strict specifications and voltage requirements that are applicable in the country in which it is intended that this product should be used. If you have purchased this product via the Internet, through mail order, and/or via a telephone sale, you must verify that this product is intended for use in the country in which you reside.

**WARNING:** Use of this product in any country other than that for which it is intended could be dangerous and could invalidate the manufacturer's or distributor's warranty. Please also retain your receipt as proof of purchase; otherwise, your product may be disqualified from the manufacturer's or distributor's warranty.

## CAUTION

Always keep children and pets under constant adult supervision. The packaging, equipment, and included accessories are not toys and must be kept out of reach of children and pets. Use only under constant adult supervision.

## Notice regarding disposal (EU only)

Disposal of this product, package, or cables must be done in an approved manner. Do not discard this product, package, or cables along with ordinary household waste. Disposing in the correct manner will prevent harm to human health and potential damage to the environment. Since the correct method of disposal will depend on the applicable laws and regulations in your locality, please contact your local administrative body for details.

**PLEASE RETAIN THIS MANUAL FOR FUTURE REFERENCE**

**mio**, iConnectivity, and the iConnectivity logo are trademarks of iConnectivity.

[www.iConnectivity.com](http://www.iConnectivity.com)

