

GENERAL INFORMATION

Low-cost, easy-to-use time-of-day control for Unison® systems, SmartPack® dimming, and SmartSwitch™ relay systems

APPLICATIONS

- Churches
- Hotels
- Convention Centers
- Schools
- Restaurants

FEATURES

- LinkConnect – using Echelon® LonTalk® protocol with LinkPower, the two wire topology-free system gives you the freedom to put stations where you need them.
- Requires LinkPower only
- Fastener Free Faceplate System – Bezel has no visible means of attachment
- Astronomical Timeclock with +/- Sunset or Sunrise settings and programmable Latitude/Longitude
- 24-hour Real Time Clock with user configurable daylight saving time
- Four recurrence settings – Everyday, Weekday, Weekends and Day-of-week
- 50 Field-programmable tasks
- Simple manual control of presets with overrides
- Hold – keep the system in the current event until cancelled (or 2 hours to meet CA Title 24)
- Resumes program automatically after power loss
- Backlit graphical LCD display
- Meets California Title 24 and ASHRAE 90.1 requirements
- Flush or Surface mount in standard 2-gang back box

GENERAL

- UL and cUL Listed

ORDERING INFORMATION

SmartLink Astronomical TimeClock

MODEL	DESCRIPTION
SL-ATC-_F	SmartLink Astronomical TimeClock

To order, indicate the color, 1, 2, 3, 4, or 5 in the blank:

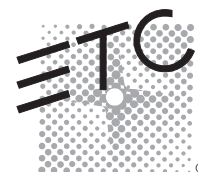
- 1 = Unison White
- 2 = Ivory (RAL 1015)
- 3 = Gray (RAL 7001)
- 4 = Black (RAL 9004)
- 5 = Signal White (RAL 9003)

Examples:

- S-ATC-1F would generate a flush mount timeclock with a white faceplate.
- S-ATC-4S would generate a surface mount timeclock with a black faceplate

SmartLink TimeClock Accessories

MODEL	DESCRIPTION
SL-2C	2-gang Locking Cover for Flush Mount Applications (White)
SL-2B	2-gang Locking Cover for Flush Mount Applications (Black)



SPECIFICATIONS

FUNCTIONAL

- Start screen displays time, date, and an icon for any active tasks
- Graphic indication to indicate a task is active
- Ability to hold current preset for timed event override
- Support for up to 128 presets
- Supports four recurrence options; Everyday, Weekday, Weekends and Day-of-week
- Supports three time types; Time of Day, Sunrise with Offset, Sunset with Offset

MECHANICAL

- Mount in flush mount, industry standard, 2-gang back boxes
- Surface mount back-boxes available from ETC
- High-contrast backlit graphical LCD
- 6-button menu-navigation keypad
- Graphic label indicates button functions – Up, Down, Back, Enter, Preset Recall, and Hold
- Injection molded ABS plastic bezel
- Bezel available in five standard colors: White, Ivory, Grey, Black, and Signal White
- Bezel has no visible means of attachment
- Locking cover available
- Full back cover to protect electronics assembly

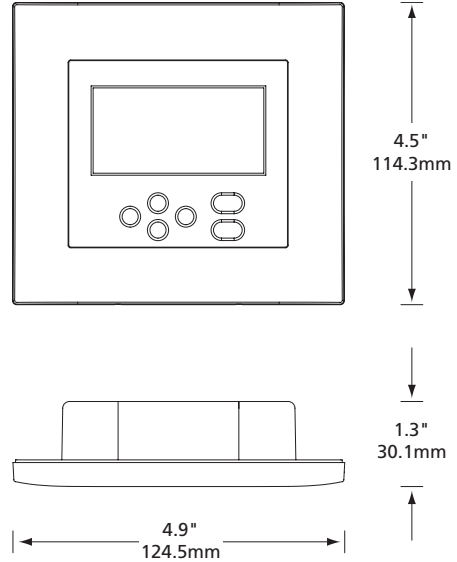
ELECTRICAL

- Stations connect to a LinkConnect network utilizing Echelon® LonTalk® with LinkPower
- LinkConnect network utilizes Class 2 topology-free and polarity-independent wiring. Wiring may be bus, loop, home-run, or any combination utilizing Belden type 8471 or equivalent, and (1) #14 ESD drain wire
- LinkConnect wiring not to exceed 500m (1640').
- Connectorized station terminations
- 7-year power failure memory

THERMAL

- Ambient Temperature 32-104F/0-40C
- Ambient Humidity 30-90% non-condensing

PHYSICAL



Station Dimensions

	HEIGHT		WIDTH		DEPTH	
	inches	mm	inches	mm	inches	mm
SL-ATC	4.5	114.3	4.9	124.5	1.3	30.1

Surface Backbox Dimensions

GANG	HEIGHT		WIDTH		DEPTH	
	inches	mm	inches	mm	inches	mm
2*	4.5	114.3	4.9	124.5	2.5	63.5

*ETC 7081A2004-2

Flush Backbox Dimensions

GANG	HEIGHT		WIDTH		DEPTH	
	inches	mm	inches	mm	inches	mm
2*	3.75	95.3	3.78	96.1	2.5	63.5

*RACO 691 or equivalent



Corporate Headquarters • 3031 Pleasant View Rd, PO Box 620979, Middleton WI 53562 0979 USA • Tel +1 608 831 4116 • Fax +1 608 836 1736
 London, UK • Unit 26-28, Victoria Industrial Estate, Victoria Road, London W3 6UU, UK • Tel +44 (0)20 8896 1000 • Fax +44 (0)20 8896 2000
 Rome, IT • Via Ennio Quirino Visconti, 11, 00193 Rome, Italy • Tel +39 (06) 32 111 683 • Fax +44 (0) 20 8752 8486
 Holzkirchen, DE • Ohmstrasse 3, 83607 Holzkirchen, Germany • Tel +49 (80 24) 47 00-0 • Fax +49 (80 24) 47 00-3 00
 Hong Kong • Room 1801, 18/F, Tower 1 Phase 1, Enterprise Square, 9 Sheung Yuet Road, Kowloon Bay, Kowloon, Hong Kong • Tel +852 2799 1220 • Fax +852 2799 9325
 Web • www.etcconnect.com • Copyright©2008 ETC. All Rights Reserved. All product information and specifications subject to change. 7182L1001 Rev. A Printed in USA 09/08

SmartLink® products protected by US and International patents pending