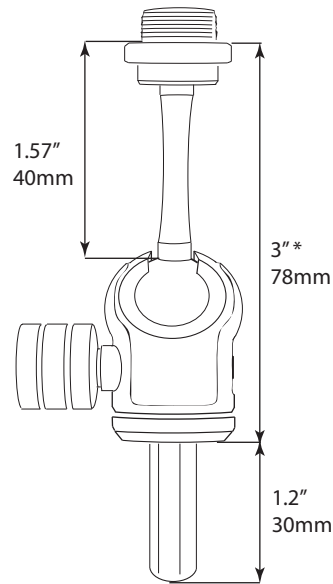


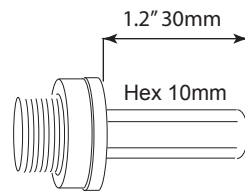
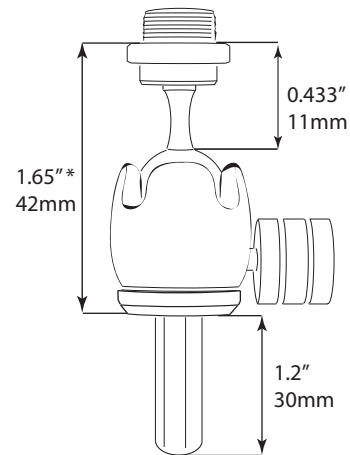
MICRO / IO-R

Model	*Added Length to Triad-Orbit	Total Weight
M1	3" / 78mm	182 g / (M1-R) 172 g
M2	1.65" / 42mm	196 g / (M2-R) 184 g
IO-R	2.95" / 75mm (Hex 10mm)	184 g including IO-H

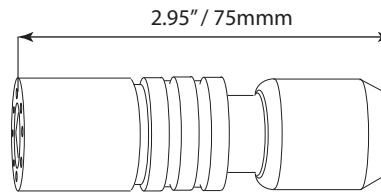
M1



M2



IO-H



IO-R