

Steel Security Covers for 19"W EIA racks

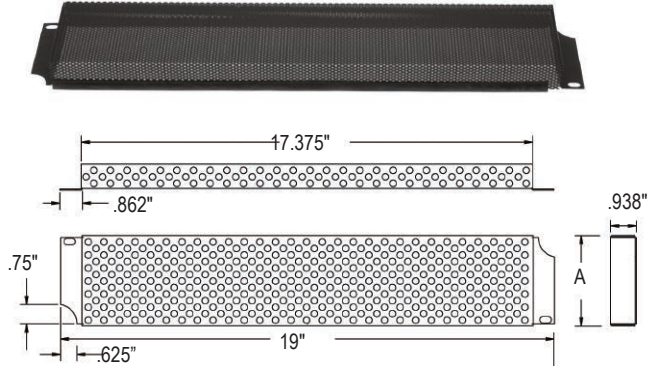
Description:

The SSC-series of steel security covers for 19" wide EIA racks are made with 18-gauge US steel. Panels mount over rackmounted equipment to provide protection from accidental or intentional tampering of controls and settings. Panels mount into the same mounting holes as equipment. For ease of installation, panels mount using only two screws (top left and bottom right). The remaining screw positions on the panel are notched for screw clearance. Panels are available in two styles:

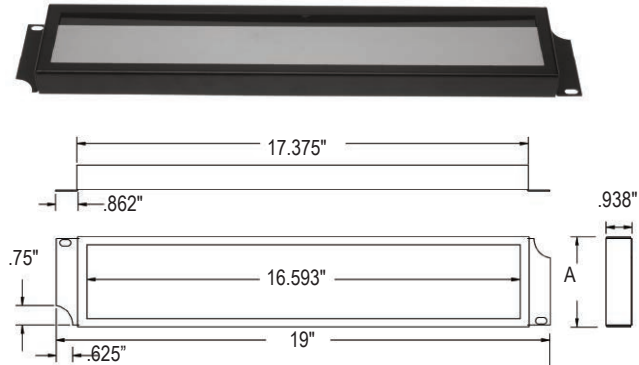
- **Vented Panels:** perforated steel with a protruding 1.5" deep space to accommodate equipment knobs and controls. The perforation pattern is 0.0781" holes on 1/8" staggered centers to provide protection and heat ventilation for equipment. Panel is finished in smooth, semi-gloss black powder epoxy paint for durable, scratch-resistant performance.
- **Plexiglas Panels:** steel with a protruding 1.5" deep frame and a smoked Plexiglas insert to accommodate and see equipment knobs and controls. Steel portion of panel is finished in smooth, semi-gloss black powder epoxy paint for durable, scratch-resistant performance.



Vented:



Plexiglas:



Features:

- Composition: 18-gauge US steel
- Style: flanged
- Type: vented or Plexiglas
- Finish: smooth, semi-gloss black powder epoxy
- Made in the USA

Model No.	Description	Former No.	"A" Panel Space (inches)	"A" Rack Units	Carton Pack
VENTED:					
SSC-1V	Steel Security Cover – Vented (flanged)	L9-191	1.75	1	1
SSC-2V	Steel Security Cover – Vented (flanged)	L9-193	3.5	2	1
SSC-3V	Steel Security Cover – Vented (flanged)	L9-195	5.25	3	1
SSC-4V	Steel Security Cover – Vented (flanged)	L9-197	7	4	1
PLEXIGLAS:					
SSC-1P	Steel Security Cover – Plexiglas (flanged)	L9-191P	1.75	1	1
SSC-2P	Steel Security Cover – Plexiglas (flanged)	L9-193P	3.5	2	1

One rack unit = 1.75"