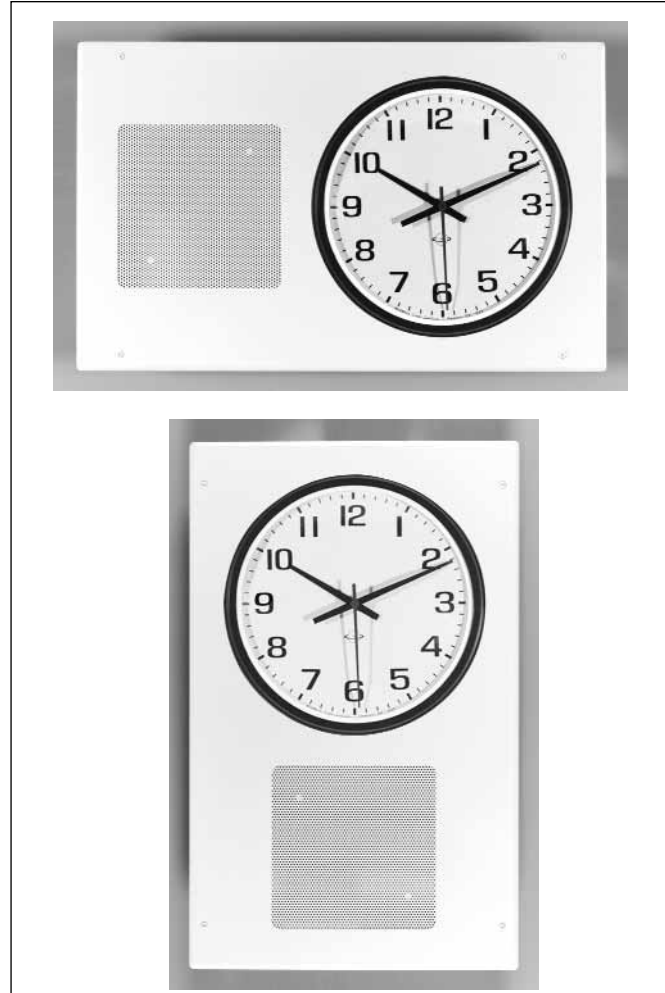


Description

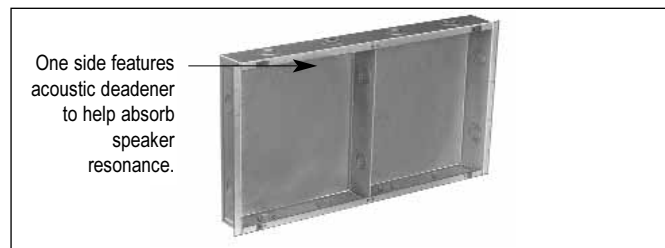
Lowell combination speaker-clock grille Model SCB300 and recessed backbox Model PC312 provide an architecturally pleasing solution for recessed horizontal or vertical installation of a paging speaker and clock in school classrooms, sports/recreation facilities, and medical or professional buildings of all kinds. Dual function speaker and clock mounting solution is a practical approach that affords reduced fixture and labor costs while providing a clean architectural appearance. Model SCB300 grille features a universal clock mounting bracket for problem free installation of virtually any 12" analog clock (by others) and welded speaker mounting studs for installation of a standard 8" speaker driver (order separately). Lowell offers a wide selection of drivers with optional 70V or 25V transformer for distributed voice paging and music with clear intelligibility. Frequently ordered models for speaker-clock grille use include driver Model 805 (12W dual cone), 810 (15W dual cone), or CT830 (20W coaxial).

Grille Model SCB300 is designed for recessed installation to backbox Model PC312. For a surface version, use grille Model SCB700 and backbox Model PC712. This attractive grille is a one-piece 18-gauge steel assembly with a square perforated area for clear music and paging transmission, and a cutout for mounting a 12" analog clock (by others). The clock cutout includes hardware and provisions for installing Lowell's universal clock mounting bracket for horizontal or vertical orientation. The perforated speaker area includes welded studs for installing an 8" speaker driver. The grille assembly with mounted clock and speaker installs to recessed backbox Model PC312 (order separately) using four (4) screws provided. Overall dimensions of grille Model SCB300 are 27.25"L x 17"W. The assembly is finished in white powder epoxy for attractive and durable performance.

Recessed Backbox Model PC312 is designed for recessed installation of speaker-clock grille Model SCB300. It is formed from 20 gauge steel and measures 26"L x 16"W x 3"D with a divider between the clock and speaker mounting sections. Symmetrical design features uniform compound knockouts for 1/2" - 3/4" conduit on the top and bottom, right and left sides, and in the divider for error-free job site installation. Additionally, one side features acoustic deadener to help absorb speaker resonance. The backbox is finished in black powder epoxy.



SCB300 speaker-clock grille mounts horizontal or vertical to recessed backbox Model PC312 (grille shown with clock - by others). Order speaker separately.



One side features acoustic deadener to help absorb speaker resonance.

PC312 Recessed Backbox for Model SCB300

Lowell Speaker-Clock Grille & Companion Backbox Specifications

Grille Model	Description	Dimensions	Finish	Mounts (order separately)		
				Speaker*	Clock**	Backbox
SCB300	Screw-mount speaker-clock grille	27.25"L x 17"W	White	8"	12"	PC312
*Lowell offers a wide selection of 8" speaker drivers including dual cone 10oz Series 810 and dual cone 5oz Series 805 with factory wired 70V or 25V transformers.						
**Universal clock mounting bracket will accommodate most 12" analog clocks (by others).						
Backbox Model	Style	Dimensions	Knockouts	Finish	Mounts Grille	
PC312	Recessed	26"L x 16"W x 3"D	1/2"-3/4" top, bottom & divider	Black	SCB300	



SCB300 / PC312

SCB300 8" Speaker & 12" Clock Grille / PC312 Recessed Backbox

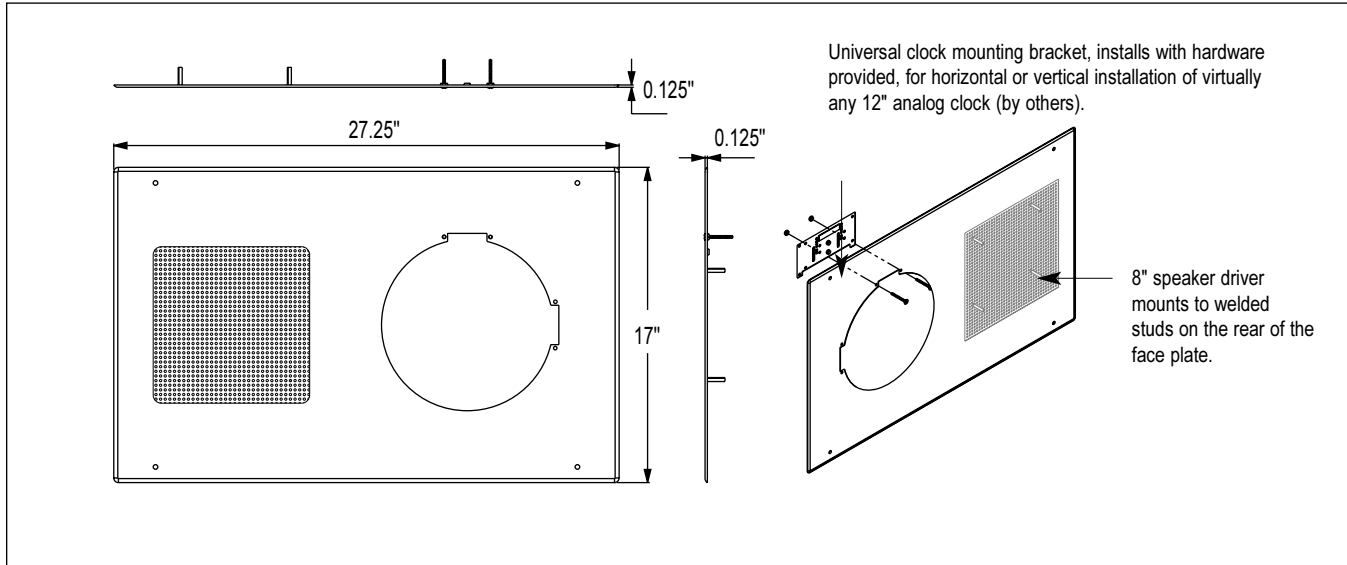
A & E Specifications

The combination speaker-clock grille for recessed wall installation shall be Lowell Model SCB300 with companion recessed backbox Model PC312.

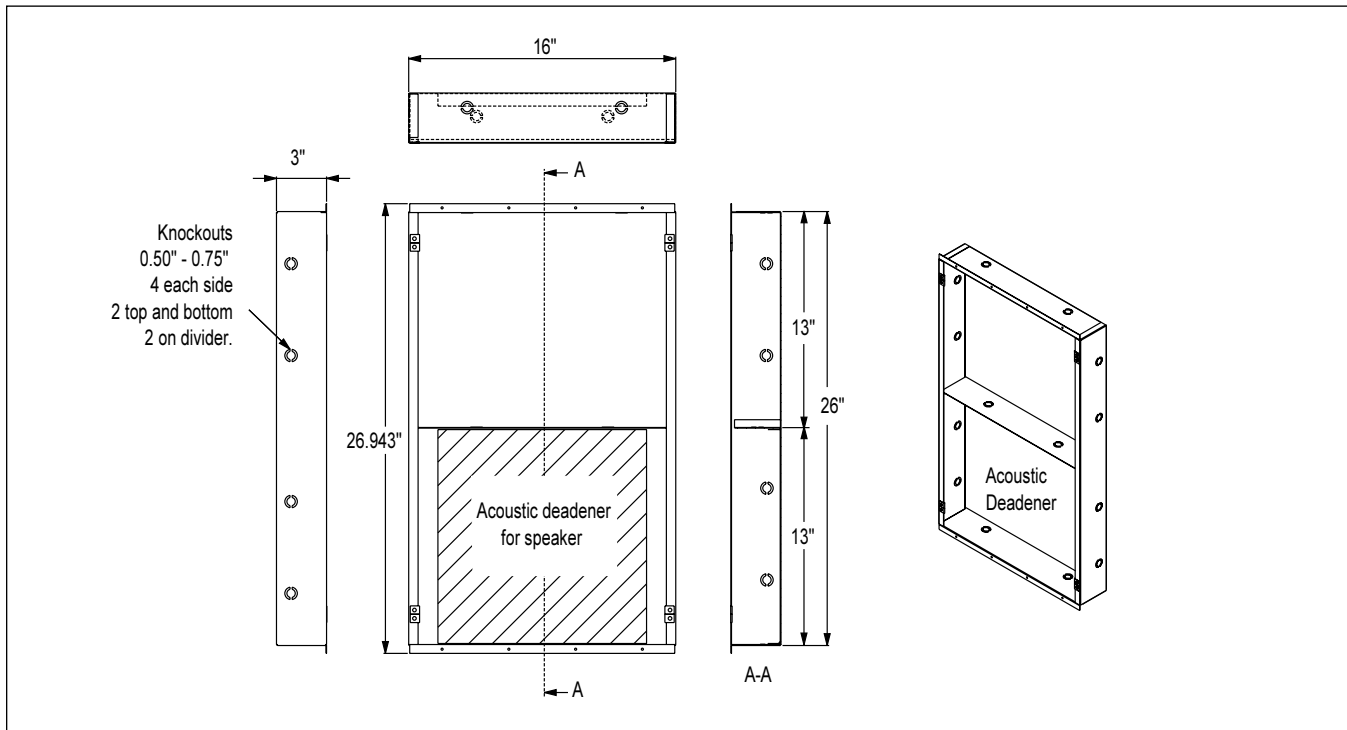
The speaker-clock grille Model SCB300 shall be formed from 18 gauge steel and measure 27.25"L x 17"W. The grille assembly shall include a solid face plate with a square perforated area and welded studs for installing an 8" speaker driver (order separately), and a universal clock mounting bracket with hardware for horizontal or vertical installation of a 12" analog clock (by others). The grille assembly shall be

finished in white powder epoxy and include screws for installation to recessed backbox Model PC312.

Recessed backbox Model PC312 is formed from 20 gauge steel and measures 26"L x 16"W x 3"D with a divider between the speaker and clock mounting sections. Uniform knockouts on the top and bottom, right and left sides, and in the divider are compound 1/2" - 3/4". One section of the divided backbox (for the speaker) shall be equipped with acoustic deadener. The backbox shall be finished in black powder epoxy.



SCB300 speaker-clock grille



PC312 recessed backbox

A
U
D
I
O

12"/10"
Speakers & Accessories

8"
Speakers & Accessories

6"
Speakers & Accessories

4"
Speakers & Accessories

Horn
Speakers & Accessories

Masking
Speakers & Generators

Control
Accessories & Electronics

Grilles - Clock Speaker