

Model: LWTCR-3R

# Lowell Wall-mount Tilt-out Rack with controlled-release



### Description:

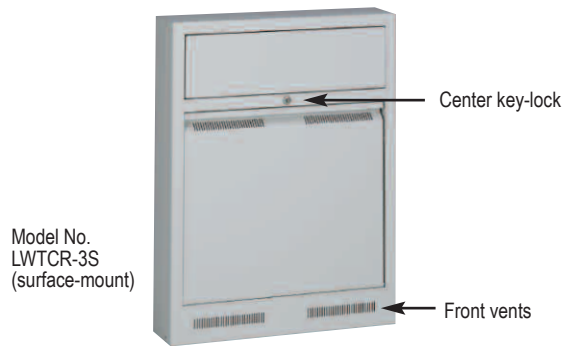
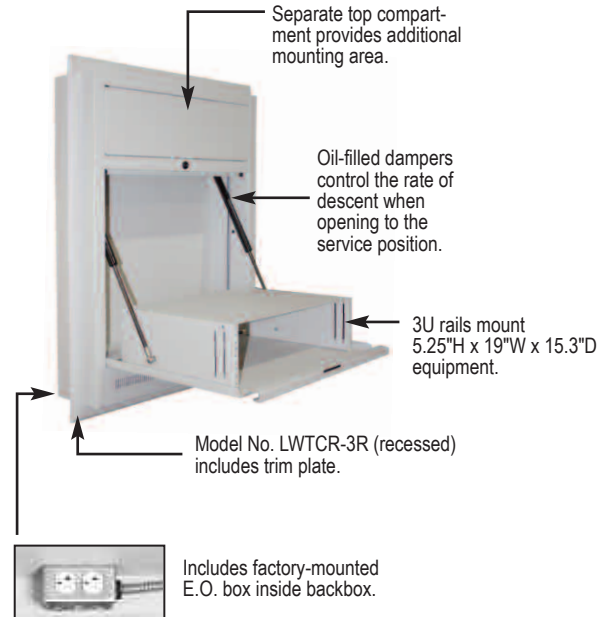
The LWTCR is a tilt-out wall rack ideal for mounting amplifiers, small mixers, PA systems, or consumer electronics in classrooms, boardrooms, healthcare facilities, institutional or house of worship applications. Two styles:

- **Surface-mount:** Model No. LWTCR-3S measures 24.375"W x 32.063"H x 6.063"D (projection).
- **Recessed:** Model No. LWTCR-3R includes trim plate. Measures 27.375"W x 35.063"H (requires minimum recessed depth of 3.983"). Projects 1.813" from wall.

### Features:

- Oil-filled dampers control the rate of descent when opening to the service position.
- Bottom section has (3U) E.I.A. mounting rails to mount equipment up to 5.25"H x 15.3"D.
- Separate top compartment provides additional 5.25"H (3U) x 4.3"D mounting area hidden behind pocket door. Hinge on right side swings open to service field-installed (19"W x 3U) panel (such as microphone connectors, phono jacks, or Decora-style controls like Lowell Model No. D8P-ID-3; order separately).
- Backbox has rear keyholes on 16" centers and rear knockouts on 13" centers.
- Removable laptop shelf
- Top and bottom compartments secure with a single lock.
- Load capacity: 50 lbs.
- Vents at bottom and along integral formed handle
- Knockouts (0.875") at top and bottom
- Compound knockouts (1.5"-1.0") in rear
- Includes factory-mounted 1-gang E.O. box in bottom center of backbox for convenient connection to AC power. There are no vents in this center area and a removable cover is included to conceal and protect wiring on the inside.
- Includes 1" cable raceway on each side for wiring
- Steel construction with neutral "Network Grey" finish
- Convenience shelf supports a laptop computer.

*Note: some electronics may require rack to be in fully-open (90-degree) service position to operate correctly.*



### A&E Specifications:

Wall-mount rack for tilt-out operation of 19"W equipment shall be Lowell Model \_\_\_\_\_. (Model No. LWTCR-3R: The rack shall include a trim plate and shall measure 27.375"W x 35.063"H. It shall require a minimum recessed depth of 3.983" and project 1.813" from wall. Model No. LWTCR-3S: The rack shall measure 24.375"W x 32.063"H x 6.063"D projection.) Rack shall vertically mount equipment up to 5.25"H (3U) x 15.3"D with a load limit of 50 lbs. The rack shall include: oil-filled dampers for controlled low-

ering of equipment to operational position, 3U E.I.A. mounting rails, removable laptop shelf, separate top compartment with 5.25" x 4.3"D mounting area and hinged rail, lock for security. Construction shall be steel with front ventilation. Backbox shall have knockouts (0.875") in the top and bottom, compound knockouts (1.5"-1") in the rear, and a 1-gang E.O. box factory-mounted in the inside center. Assembly shall be finished in neutral "Network Grey" powder epoxy.

| Model No. | Description                                      | Mounting Style | Overall W* | Overall H | Projection from Wall |
|-----------|--|----------------|------------|-----------|----------------------|
| LWTCR-3R  | Wall-mount Tilt-out Rack with controlled release | recessed       | 27.375"    | 35.063"   | 1.813"               |
| LWTCR-3S  | Wall-mount Tilt-out Rack with controlled release | surface        | 24.375"    | 32.063"   | 6.063"               |

\*Width includes trim-plate for recessed-style rack. One Rack Unit (RU or U) = 1.75"

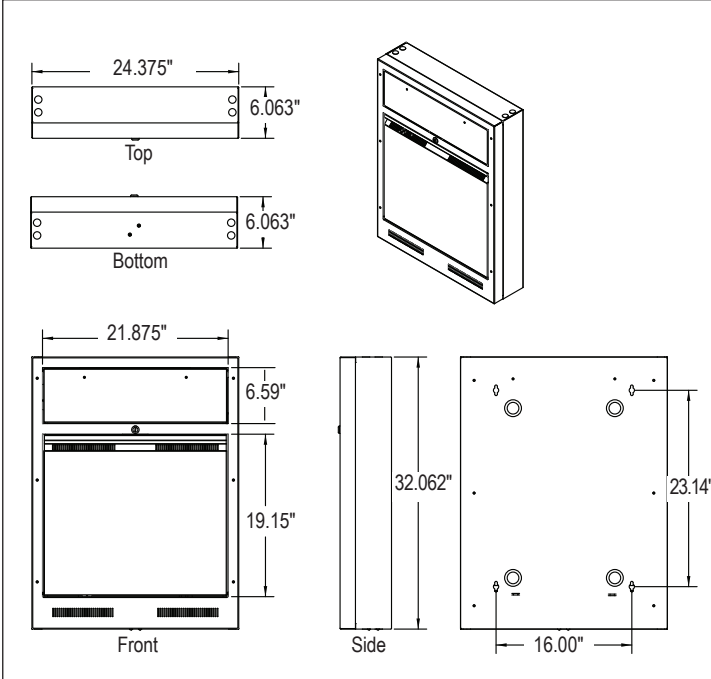
Spec. No. **1155**  
(rev. 12.12.11)  
pg. 1 of 2

©2011 Lowell Manufacturing Company, 100 Ingram Dr., Pacific MO 63069. Phone-800.325.9660 Fax-636.257.6606. Lowell makes every effort to provide accurate information while reserving the right to change specifications and/or improve manufacturing methods without notification. (lowellmfg.com)

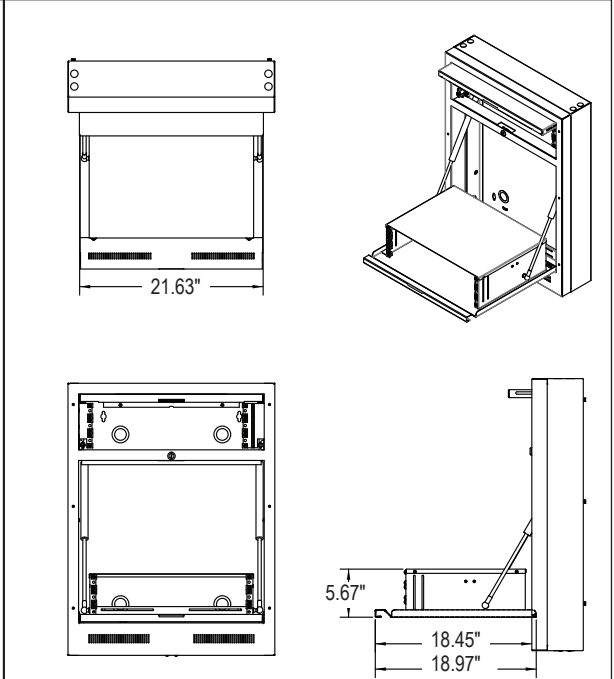


**Model No. LWTCR-3S (surface-mount)**

**Closed**



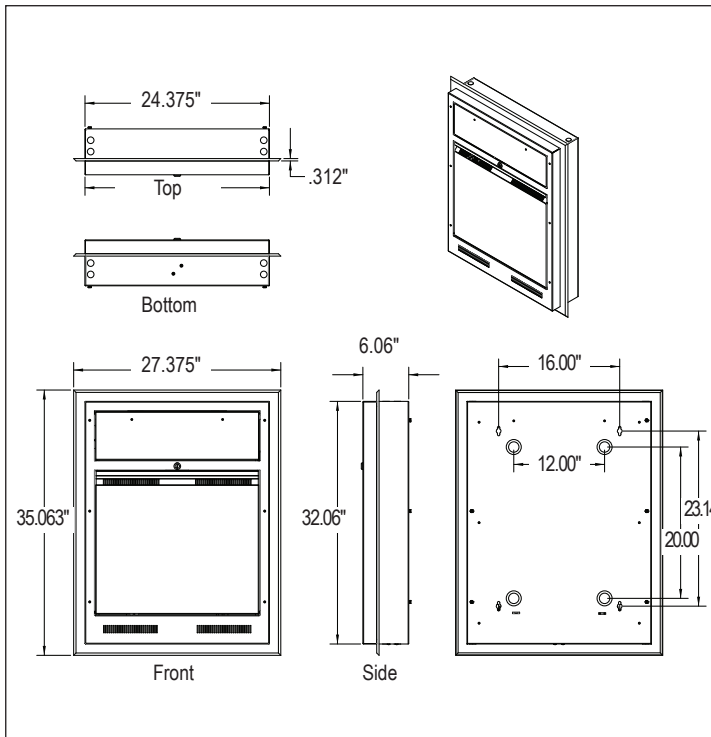
**Open**



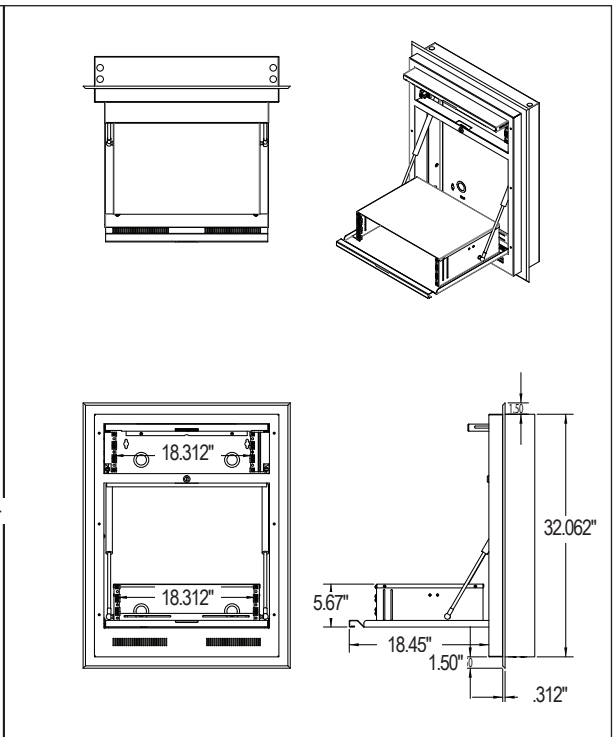
Backbox: 24.375\"W x 32.063\"H x 4.25\"D (mounts to wall using hardware by others)  
 Frame: 24.375\"W x 32.063\"H x 1.813\"D (mounts to backbox using hardware provided)

**Model No. LWTCR-3R (recessed)**

**Closed**



**Open**



All measurements are inches.