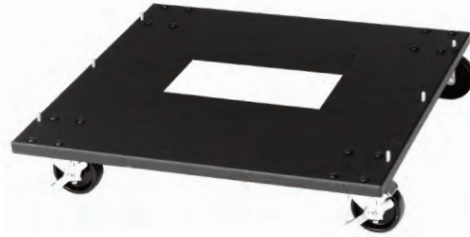


Lowell Shallow Mobile Base

Description:

The LMSB-22 mounts under a 22"D rack or cabinet frame. The shallow mobile base is designed with casters positioned far to the perimeter to enhance stability of a fully-loaded 22"D rack. Construction is 14-gauge steel finished in durable wrinkle black powder epoxy. The base features 3" swivel casters in front and swivel-locking casters in the rear. Casters have 350 lbs. load rating each (1,400 lbs. total) and raise the cabinet height 4.062". To facilitate cable access, there is a center opening (10" x 5") that may be covered using an optional 3U blank panel (order separately). Note: Base is not for use with seismic-certified racks.



Features:

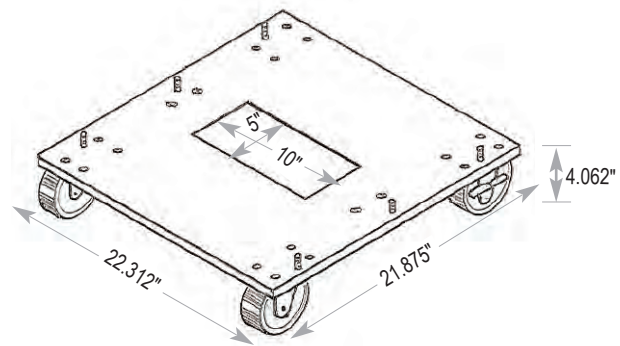
- Rugged, fully-welded construction.
- Easy cable access through center opening.
- Includes hardware for bolt-on installation.
- For use with 19" wide racks (LER, LER-F and LGR-series).
- Base increases rack height 4.062"

Optional: (order separately)

- Steel panel (model SP-3): 3U steel panel can be used to close the center opening. Order separately.

A & E Specifications:

The rack's mobile base shall be Lowell Model LMSB-22. Construction shall be 14-gauge welded steel finished in black wrinkle powder epoxy. The shallow mobile base shall be of a design that mounts under the rack frame to add mobility. The heavy-duty 3" swivel/swivel-locking casters shall be positioned far to the perimeter for stability and shall have a load rating of 350 lbs. each. The mobile base shall raise the rack height 4.062". The base shall facilitate cable access through a center opening (10" x 5"). Mounting hardware to attach the base to the rack shall be supplied with base.



Model No.	Description	Former No.	Size Overall (W x D x H)	Center Opening (W x D)	Weight (lbs.)
LMSB-22	Mobile Shallow Base (for 22"D rack)	MBS222	22.312" x 21.875" x 4.062"	10" x 5"	24