

# Keylock Volume Control Attenuator (with wall-plate)

## Description

Lowell's KL-series volume controls feature a keylock instead of a knob to adjust volume levels. The patented design\* provides systems administrators with secure settings for volume level of critical paging and/or emergency systems. These controls allow precise level adjustment of single or multiple speaker lines and are advantageous for maintaining comfortable listening levels for music, paging, or masking in health clubs, entertainment and retail facilities, schools and offices of all kinds. The 1-gang, Decora-style (two-piece) plate assemblies have a 100W power rating and include easy to connect, phoenix-style plug-in screw termination strips for pre-wire convenience with wire capacity up to 14-gauge. Attenuation is 3dB per step. Plates are available in plastic (white or black) or stainless steel with plastic sub-plate (white or black).

- **Emergency Bypass Option:** the KL100-PA series includes a 24VDC @ 5mA relay for applications that require emergency and paging signals to bypass/override the control.

## Quality Features

- Volume adjustment is performed using a keylock instead of a knob to avoid unauthorized setting changes.
- ETL Listed
- 100W power rating
- Decora-style 2-piece design provides versatile installation
- Compact single gang size blends with other wall devices
- 1.75" depth fits standard E.O. boxes

## Accessories (order separately):

- **Two-gang adapter plate:** Model KL-ANP2 is a two gang, stainless steel (one-piece) plate made to retrofit the 1-gang keylock control to a 2-gang box. Simply remove the keylock assembly from the Decora-style plate and mount it to KL-ANP2 plate.
- **One-gang box:** Model P1X is a 1-gang, surface-mount, steel box with white epoxy finish. Rear knockouts for conduit. 2.5"D.
- **Rackmount panel:** Model D8P-ID-3 is a (3U) rackmount panel that's been pre-punched to allow installation of up to 8 keylock controls. Includes rear lacing flange for wire management and clear window for inserting 1/2" labels to identify control operations. Label template can be downloaded from [www.lowellmfg.com](http://www.lowellmfg.com)

## A & E Specifications

Volume control shall be Lowell ETL Listed Model \_\_\_\_\_ with a power rating of 100W and attenuation per step of 3dB. Plate style shall be Decora®-style \_\_\_\_\_ (plastic or stainless steel with plastic sub-plate). Plate color shall be \_\_\_\_\_ (white, black, stainless/white, stainless/black). Controls shall mount in an E.O. box with a minimum inside dimension of 1.875"W x 2.688"H x 2.125"D. Priority Relay Option: Model shall include a 24VDC@5mA relay.



Keylock volume controls with Decora-style (two-piece) wall plates



Optional KL-ANP2 adapter plate allows 1-gang keylock control to be retrofitted to a 2-gang box in the field.



Optional P1X 1-gang surface-mount box is 2.5"D



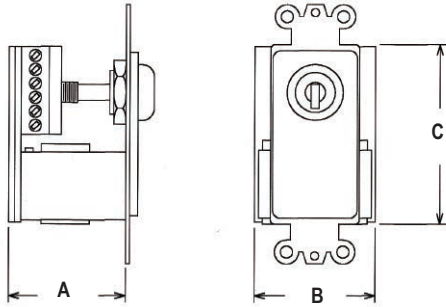
Optional D8P-ID-3 rackmount panel mounts up to eight Decora volume controls

Model No.	Power Rating	Type	Switch Type	Switch Positions	Attenuation Step / Total	Style & Finish
KL100-DB	100W	Auto-trans	Keylock	10-off	3dB / 33dB***	Decora black
KL100-DW	100W	Auto-trans	Keylock	10-off	3dB / 33dB***	Decora white
KL100-DSB	100W	Auto-trans	Keylock	10-off	3dB / 33dB***	Decora stainless steel with black sub-plate
KL100-DSW	100W	Auto-trans	Keylock	10-off	3dB / 33dB***	Decora stainless steel with white sub-plate
KL100-PA-DB**	100W	Priority-trans	Keylock	10-off	3dB / 33dB***	Decora black
KL100-PA-DW**	100W	Priority-trans	Keylock	10-off	3dB / 33dB***	Decora white
KL100-PA-DSB**	100W	Priority-trans	Keylock	10-off	3dB / 33dB***	Decora stainless steel with black sub-plate
KL100-PA-DSW**	100W	Priority-trans	Keylock	10-off	3dB / 33dB***	Decora stainless steel with white sub-plate

\*\* Model series KL100-PA includes a priority relay (24VDC@15mA). See wiring diagram and schematic.

\*\*\* Models have two steps of 6dB each before off.

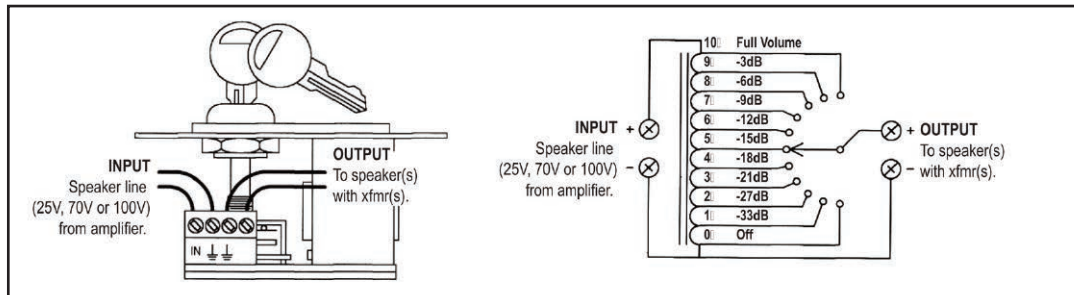
\* US Patent # 5,054,076



1.813"D  
KL-series mounts  
most standard  
recessed E.O.  
boxes

Model Series	Plate Width	Plate Height	A	B	C	Mounting Requirements
KL100	2.75"	4.5"	1.813"	1.875"	2.812"	E.O. Box with minimum opening size 1.875"W x 2.685"H x 2.125"D
KL100-PA	2.75"	4.5"	1.813"	1.875"	2.812"	or Lowell surface mount 1gang box No. P1X

**Wiring and Schematic for KL100 Series**  
(except those with priority paging feature)



**Wiring and Schematic for KL100-PA Series**  
(only models with 24VDC@5mA priority paging feature)

