

**Description**

Lowell grille Model WB-4 is the industry standard when it comes to steel ceiling grilles for 4" loudspeakers. Its clean, contoured edge appearance and economical cost makes it popular for installation in offices, hotels, schools, airports, medical, retail, and commercial facilities all over the world.

Grille is precision formed from a single piece of 20-gauge steel with a punched center and beveled edge for attractive ceiling installation. Model WB-4 features four 8-32 x 3/4" welded studs with palmnuts for concealed mounting of a standard 4" (EIA 5") speaker. It is additionally equipped with four white 8-32 x 1-1/2" Phillips-head screws for attaching the speaker-grille assembly to the backbox or mounting ring (order separately - see page 2). The grille is finished in white powder epoxy for long lasting quality appearance.

*Lowell offers a selection of 4" speaker drivers with optional 70V or 25V transformer for distributed music and voice paging. Popular 4" drivers include Model 4A30 (30W coaxial) and JR410 (15W high compliance cone).*

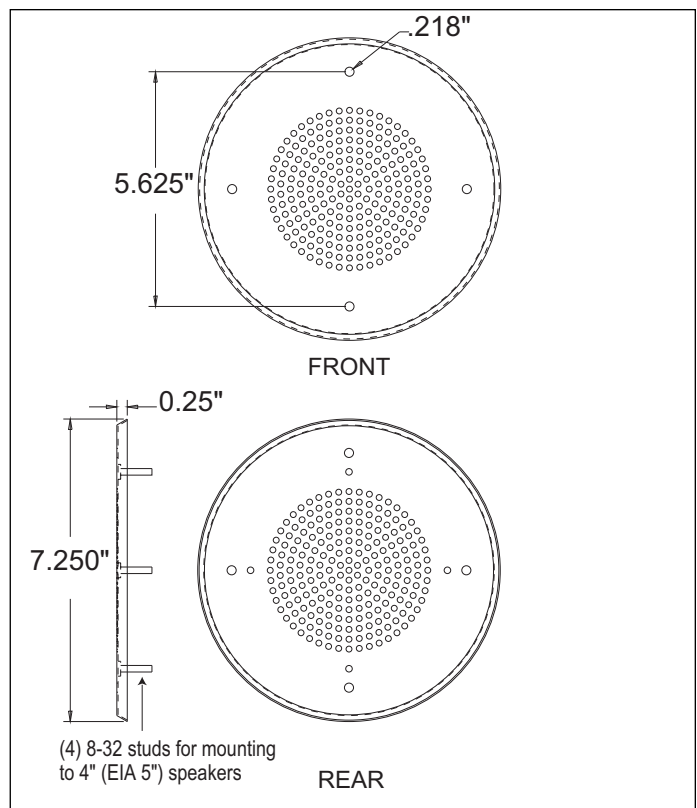
**A & E Specifications**

The grille for 4" speaker drivers shall be Lowell Model \_\_\_\_ (WB-4). It shall be fabricated one-piece 20-gauge steel reinforced with a peripheral flange. The grille diameter shall be 7.25" with a shallow mounting projection of 0.25". Model WB-4 shall include welded studs for mounting specified 4" (EIA 5") speaker. Each grille shall also have four 0.218" holes spaced at 90 degree intervals on a 5.625" bolt circle plus four 8-32 x 1-1/2" white Phillips-head screws for mounting the speaker/grille assembly to specified backbox or mounting ring. The grille shall be finished in white powder epoxy and include white screws for backbox installation.

Companion backbox or mounting ring shall be Lowell Model \_\_\_\_\_ (DX104, CP4, PR4). Companion tile bridge or channel rails for suspended installations shall be Lowell Model \_\_\_\_\_ [LBS4-DX, LBS4R (for applications without backbox), SS24 or SS30 rails].



**WB-4**  
Steel grille for screw-mount installation



**Grille Specifications and Companion Mounting Accessories** (order separately)

Grille Model	Speaker Size*	Grille Size	Mounting Provisions	Material	Color	Backbox or Mtg. Ring Choices (Choose one, plus tile bridge or rails if required.)	T-Bridge or Rails (if required for suspended ceilings)
WB-4	4"	7.25" Dia	4 studs + 4 screws	Steel	White	CP4, DX104.....	LBS4-DX or SS Series rails
						PR4 (mounting ring) .....	LBS4-DX or SS Series rails
						No backbox .....	LBS4-R

\*Lowell offers a selection of 4" speakers with factory wired 70V or 25V transformers - see list in the Description paragraph or get specifications on the website.



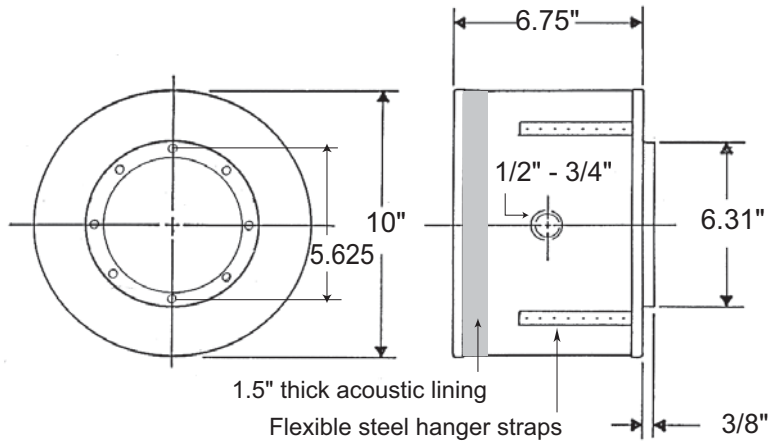
**WB-4**

Steel Grille with Screw-mount Installation for 4" Speakers

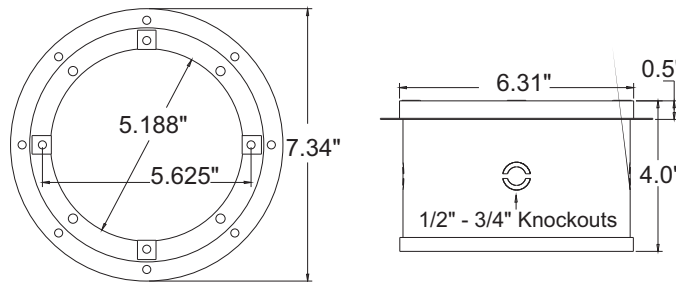
**Companion mounting accessories for grille Model WB-4** (order separately)



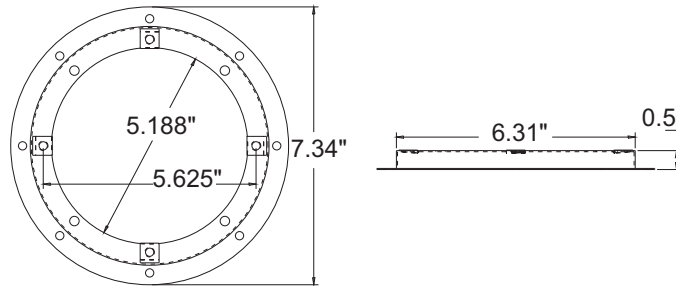
**DX104**



**CP4**



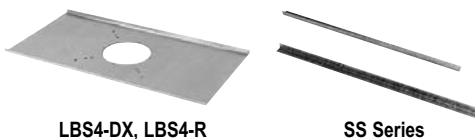
**PR4**



**Companion Backboxes** (order separately)

Backbox Model	Mounts Speaker Size	Backbox Size*	Features	Mounts Grille (order separately)
<b>DX104</b>	4"	10"Dia. x 6.75"D	0.3 cu.ft., 1.5" thick batting	WB-4
<b>CP4</b>	4"	6.3"Dia x 4"D	Compact size	WB-4
<b>PR4</b> (mounting ring)	4"	6.3"Dia x 0.5"D	Mounts in shallow spaces	WB-4

\* Diameter measurement is the outside of the backbox cylinder.



**Tile Bridge and Rail Details** (order separately)

<b>LBS4-DX</b>	23.75"L T-bridge mounts 4in system with round backbox
<b>LBS4-R</b>	23.75"L T-bridge mounts 4in system with WB4 grille only (no backbox)
<b>SS24</b>	24"L channel rail pair
<b>SS30</b>	30"L channel rail pair

**A  
U  
D  
I  
O**

**12"/10"**  
Speakers & Accessories

**8"**  
Speakers & Accessories

**6"**  
Speakers & Accessories

**4"**  
Speakers & Accessories

**Horn**  
Speakers & Accessories

**Masking**  
Speakers & Generators

**Control**  
Accessories & Electronics

**Grilles - Ceiling / Wall**