


Middle Atlantic Products

EXCEPTIONAL SUPPORT & PROTECTION™

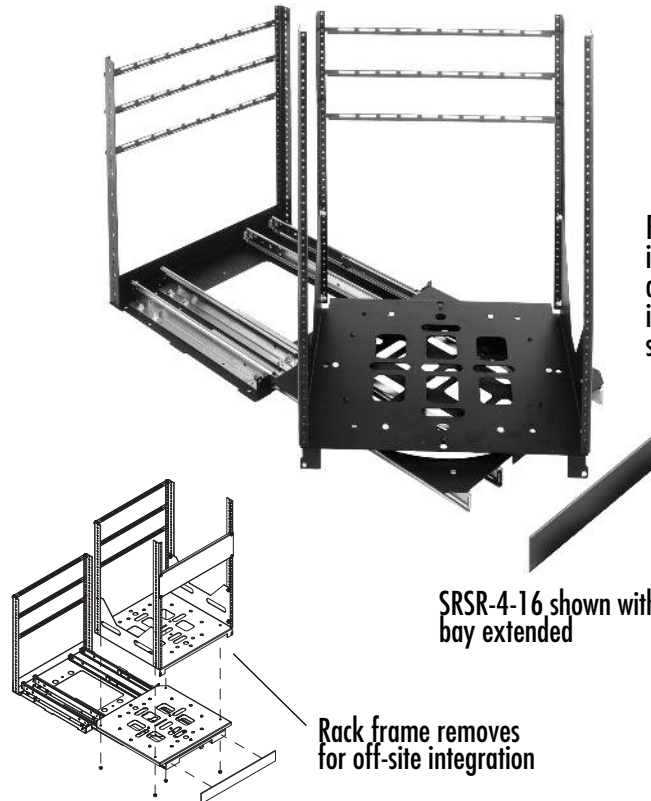
SRSR Series Sliding Rail System


EIA/TIA Compliant

The SRSR Rotating Sliding Rail System pulls out and rotates 90 degrees to provide convenient rear access to wiring and components

Features

- Pulls out and rotates for equipment servicing
- Detachable rack frame allows for off-site integration
- Simplifies equipment installation in cabinet
- Shortens installation & service time
- Available from 12 space (21") to 30 space (52-1/2")
- Available in 19" and 23" useable depths
- Rack locks in extended and rotated positions
- Integral cable management system provided
- Ball bearing slides allow smooth rollout
- Locks closed with included hardware
- Black brushed and anodized finish



Rotates and locks in place at 0°, 60° and 90° for easy installation and servicing

SRSR-4-16 shown with bay extended

Rack frame removes for off-site integration

Architects' and Engineers' Specifications

EIA compliant 19" rotating slide-out equipment rack shall be Middle Atlantic Products model # SRSR-___-___ (refer to chart). Overall dimensions of rack shall be 19.09" W x ___" H x ___" D with ___ useable rackspace and a ___ lb. weight capacity (refer to chart). Rack shall pull out (19" or 23", refer to chart) on integrated ball bearing slides and rotate 90° for equipment servicing. Detachable rack allows for off-site integration. Front mounted tab shall be used to rotate rack and lock into position. Front mounted lever shall lock rack in extended position. When rotating rack, locking detent shall allow rack to lock in place at 0°, 60° and 90°. Rackrail shall be 11-gauge steel with tapped 10-32 holes in universal EIA spacing. Rackrail shall be finished in black e-coat with marked rackspace. SRSR rough-in pan shall be 14-gauge steel. Finish on SRSR assembly shall be a durable flat black powder coat. Trim/locking panel shall lock SRSR in closed position and be 11-gauge aluminum with a black brushed and anodized finish. SRSR shall be GREENGUARD Indoor Air Quality Certified for Children and Schools. SRSR shall be RoHS EU Directive 2002/95/EC compliant. SRSR shall be manufactured by an ISO 9001 and ISO 14001 registered company. SRSR shall be warranted to be free from defects in material or workmanship under normal use and conditions for a period of 3 years.

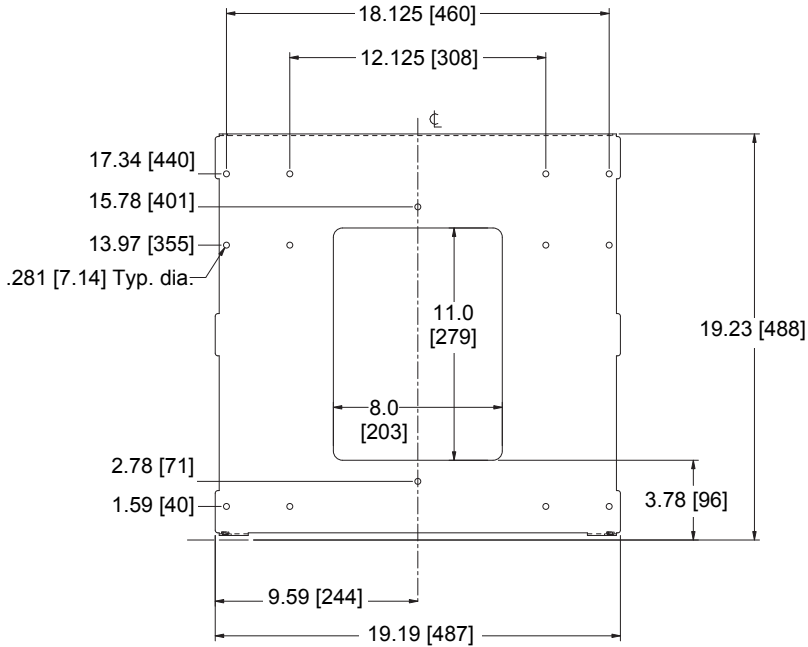
OPTIONS

- Locking trim panel in silver brushed and anodized finish shall be model # SRSR-CATRIM
- Optional full depth front and rear mount racks shelf shall be model # SH-SRSR
- Brush gasket shall require 19-5/8" rough-in opening width and shall be model # BG17
- Hide component mounting screws with black brushed and anodized trim strips, model # TA. Silver brushed and anodized trim strips available, model # TC

CUSTOMIZABLE SPECIFICATION CLIPS AVAILABLE AT MIDDLEATLANTIC.COM

SRSR Series rough-in pan mounting point locations

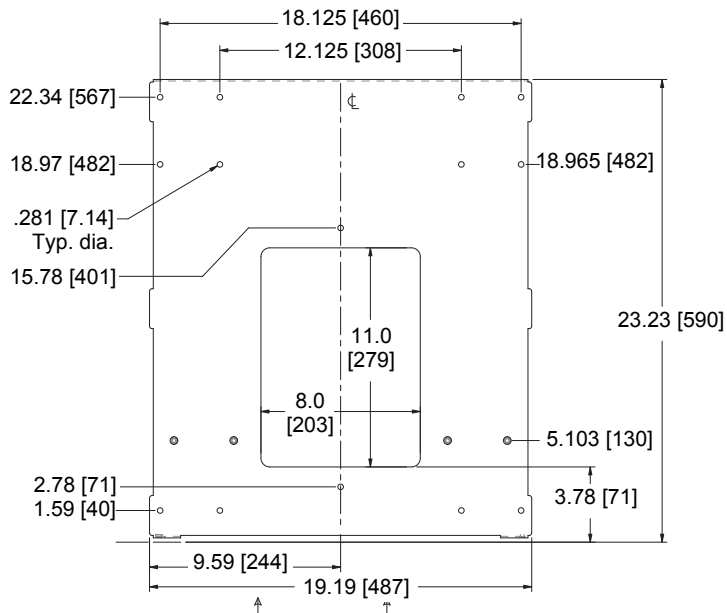
All dimensions in inches unless otherwise noted [Dimensions in brackets in millimeters]



FRONT

(only mounting holes shown)

SRSR-2-XX / SRSR-4-XX



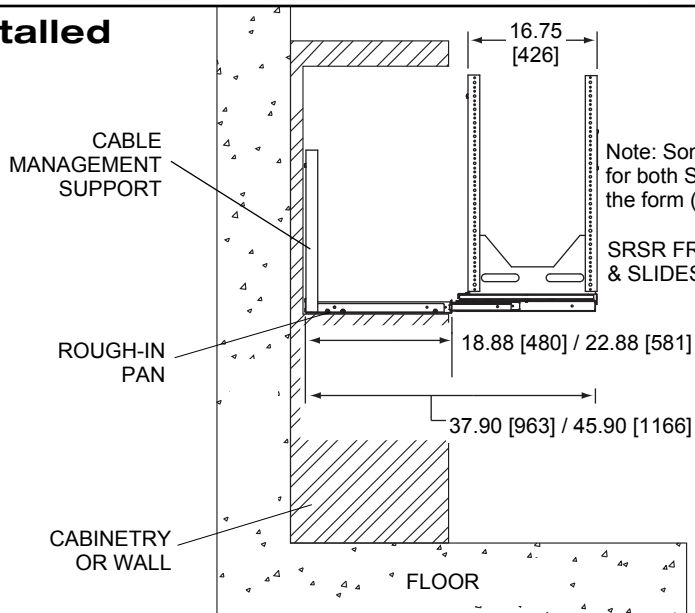
FRONT

(only mounting holes shown)

SRSR-X-XX



SRSR installed



*NOTE: We recommend leaving an additional 1.5" min. clearance at rear for cables.

Note: Some dimensions are given for both SRSR-2/4 and SRSR-X in the form (SRSR 2,4 / SRSR-X)

PART #	WEIGHT CAPACITY	# OF SLIDES
SRSR-2-XX	125 lbs.	2
SRSR-4-XX	250 lbs.	4
SRSR-X-XX	200 lbs.	4

PART #	USEABLE HEIGHT	OVERALL HEIGHT	DEPTH	EXTENSION / USEABLE DEPTH *
SRSR-2-12 / SRSR-4-12	21 [533] (12 space)	24 [610]	19-1/4 [489]	19 [483]
SRSR-2-13 / SRSR-4-13	22-3/4 [578] (13 space)	25-3/4 [654]	19-1/4 [489]	19 [483]
SRSR-2-14 / SRSR-4-14	24-1/2 [622] (14 space)	27-1/2 [699]	19-1/4 [489]	19 [483]
SRSR-2-15 / SRSR-4-15	26-1/4 [667] (15 space)	29-1/4 [743]	19-1/4 [489]	19 [483]
SRSR-2-16 / SRSR-4-16	28 [711] (16 space)	31 [787]	19-1/4 [489]	19 [483]
SRSR-2-17 / SRSR-4-17	29-3/4 [756] (17 space)	32-3/4 [832]	19-1/4 [489]	19 [483]
SRSR-2-18 / SRSR-4-18	31-1/2 [800] (18 space)	34-1/2 [876]	19-1/4 [489]	19 [483]
SRSR-2-19 / SRSR-4-19	33-1/4 [846] (19 space)	36-1/4 [921]	19-1/4 [489]	19 [483]
SRSR-2-20 / SRSR-4-20	35 [889] (20 space)	38 [965]	19-1/4 [489]	19 [483]
SRSR-2-21 / SRSR-4-21	36-3/4 [933] (21 space)	39-3/4 [1010]	19-1/4 [489]	19 [483]
SRSR-2-22 / SRSR-4-22	38-1/2 [980] (22 space)	41-1/2 [1054]	19-1/4 [489]	19 [483]
SRSR-2-23 / SRSR-4-23	40-1/4 [1022] (23 space)	43-1/4 [1099]	19-1/4 [489]	19 [483]
SRSR-2-24 / SRSR-4-24	42 [1067] (24 space)	45 [1143]	19-1/4 [489]	19 [483]
SRSR-4-25	43-3/4 [1111] (25 space)	46-3/4 [1187]	19-1/4 [489]	19 [483]
SRSR-4-26	45-1/2 [1156] (26 space)	48-1/2 [1232]	19-1/4 [489]	19 [483]
SRSR-4-27	47-1/4 [1200] (27 space)	50-1/4 [1276]	19-1/4 [489]	19 [483]
SRSR-4-28	49 [1245] (28 space)	52 [1321]	19-1/4 [489]	19 [483]
SRSR-4-29	50-3/4 [1289] (29 space)	53-3/4 [1365]	19-1/4 [489]	19 [483]
SRSR-4-30	52-1/2 [1334] (30 space)	55-1/2 [1403]	19-1/4 [489]	19 [483]
SRSR-X-12	21 [533] (12 space)	24 [610]	23-1/4 [591]	23 [584]
SRSR-X-13	22-3/4 [577.9] (13 space)	25-3/4 [654]	23-1/4 [591]	23 [584]
SRSR-X-14	24-1/2 [622] (14 space)	27-1/2 [699]	23-1/4 [591]	23 [584]
SRSR-X-15	26-1/4 [667] (15 space)	29-1/4 [743]	23-1/4 [591]	23 [584]
SRSR-X-16	28 [711] (16 space)	31 [787]	23-1/4 [591]	23 [584]
SRSR-X-17	29-3/4 [756] (17 space)	32-3/4 [832]	23-1/4 [591]	23 [584]
SRSR-X-18	31-1/2 [800] (18 space)	34-1/2 [876]	23-1/4 [591]	23 [584]
SRSR-X-19	33-1/4 [846] (19 space)	36-1/4 [921]	23-1/4 [591]	23 [584]
SRSR-X-20	35 [889] (20 space)	38 [965]	23-1/4 [591]	23 [584]
SRSR-X-21	36-3/4 [933] (21 space)	39-3/4 [1010]	23-1/4 [591]	23 [584]
SRSR-X-22	38-1/2 [980] (22 space)	41-1/2 [1054]	23-1/4 [591]	23 [584]
SRSR-X-23	40-1/4 [1022] (23 space)	43-1/4 [1099]	23-1/4 [591]	23 [584]
SRSR-X-24	42 [1067] (24 space)	45 [1143]	23-1/4 [591]	23 [584]
SRSR-X-25	43-3/4 [1111] (25 space)	46-3/4 [1187]	23-1/4 [591]	23 [584]
SRSR-X-26	45-1/2 [1156] (26 space)	48-1/2 [1232]	23-1/4 [591]	23 [584]
SRSR-X-27	47-1/4 [1200] (27 space)	50-1/4 [1276]	23-1/4 [591]	23 [584]
SRSR-X-28	49 [1245] (28 space)	52 [1321]	23-1/4 [591]	23 [584]
SRSR-X-29	50-3/4 [1289] (29 space)	53-3/4 [1365]	23-1/4 [591]	23 [584]
SRSR-X-30	52-1/2 [1334] (30 space)	55-1/2 [1403]	23-1/4 [591]	23 [584]

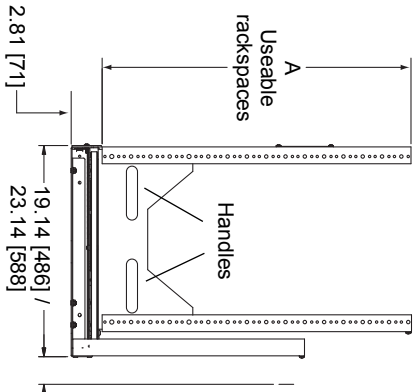
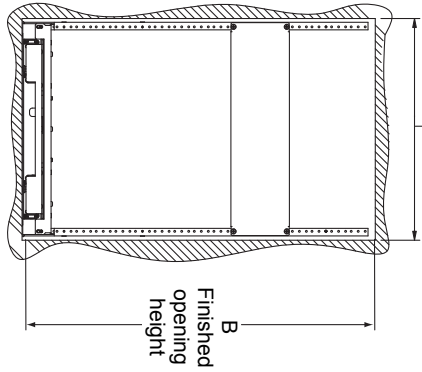
All dimensions in inches unless otherwise noted [Dimensions in brackets in millimeters]
 * Useable depth based on installation with 1/4" setback



SRSR basic dimensions

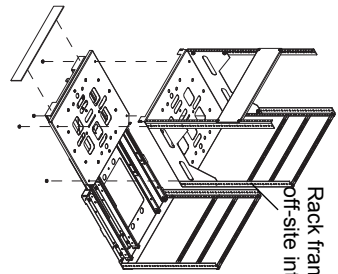
All dimensions in inches unless otherwise noted [All dimensions in brackets are millimeters]

19-1/4 [489] min. finished opening width without gasket
19-5/8 [498] when using optional brush gasket

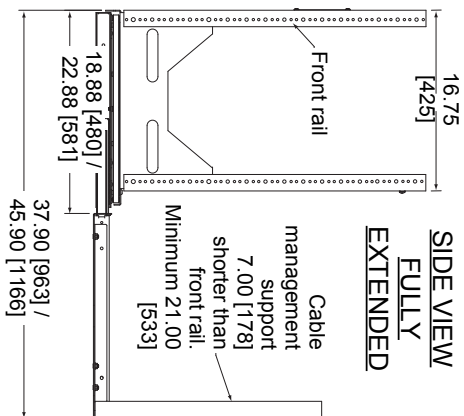


FRONT VIEW

SIDE VIEW CLOSED



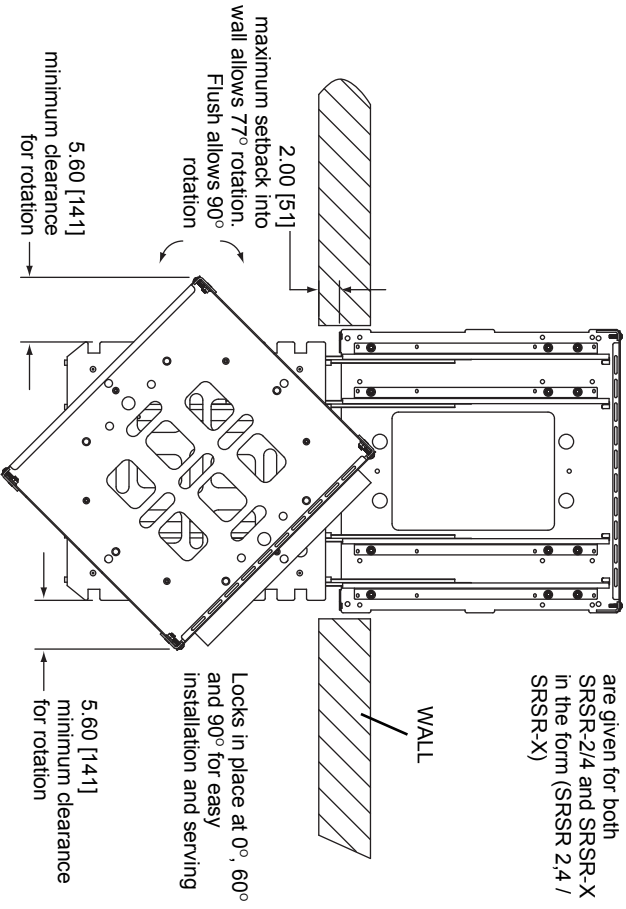
Rack frame removes for off-site integration



SIDE VIEW FULLY EXTENDED

TOP VIEW FULLY EXTENDED

Note: Some dimensions are given for both SRSR-2/4 and SRSR-X in the form (SRSR 2,4 / SRSR-X)



Part #	A USEABLE RACKSPACES	B FINISHED OPENING HEIGHT
SRSR-2/12 / SRSR-4/12 / SRSR-X-12	12	24 [610]
SRSR-2/13 / SRSR-4/13 / SRSR-X-13	13	25-3/4 [654]
SRSR-2/14 / SRSR-4/14 / SRSR-X-14	14	27-1/2 [699]
SRSR-2/15 / SRSR-4/15 / SRSR-X-15	15	29-1/4 [743]
SRSR-2/16 / SRSR-4/16 / SRSR-X-16	16	31 [787]
SRSR-2/17 / SRSR-4/17 / SRSR-X-17	17	32-3/4 [832]
SRSR-2/18 / SRSR-4/18 / SRSR-X-18	18	34-1/2 [876]
SRSR-2/19 / SRSR-4/19 / SRSR-X-19	19	36-1/4 [921]
SRSR-2/20 / SRSR-4/20 / SRSR-X-20	20	38 [965]
SRSR-2/21 / SRSR-4/21 / SRSR-X-21	21	39-3/4 [1010]
SRSR-2/22 / SRSR-4/22 / SRSR-X-22	22	41-1/2 [1054]
SRSR-2/23 / SRSR-4/23 / SRSR-X-23	23	43-1/4 [1099]
SRSR-2/24 / SRSR-4/24 / SRSR-X-24	24	45 [1143]
SRSR-4/25 / SRSR-X-25	25	46-3/4 [1187]
SRSR-4/26 / SRSR-X-26	26	48-1/2 [1232]
SRSR-4/27 / SRSR-X-27	27	50-1/4 [1276]
SRSR-4/28 / SRSR-X-28	28	52 [1321]
SRSR-4/29 / SRSR-X-29	29	53-3/4 [1365]
SRSR-4/30 / SRSR-X-30	30	55-1/2 [1409]

