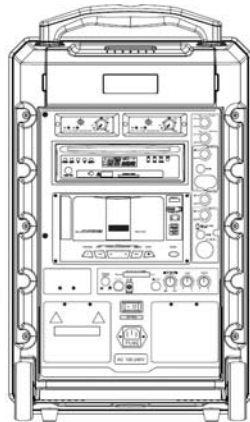




TITAN WIRELESS PORTABLE PA



USERS MANUAL

CONTENTS

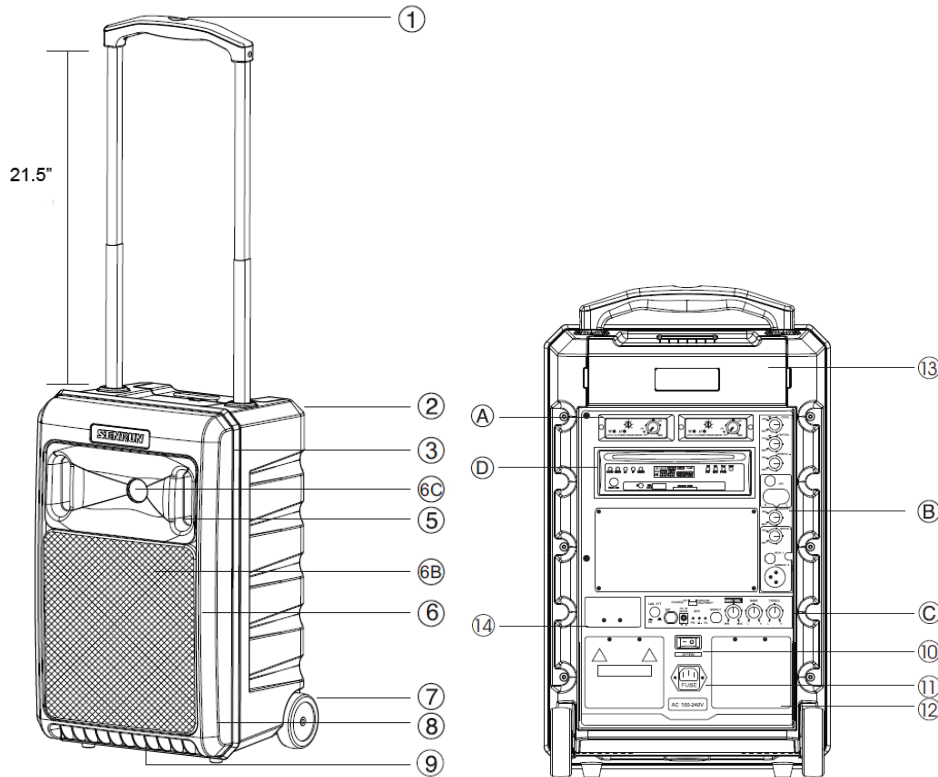
Table of Contents	
Main Unit	1-2
Wireless Controls	2
Master Panel Control	3
Power and Volume Panel	4
CD/USB/SD Audio Player & Remote	5-6
USB/SD Card Slots/Handheld Microphone	7
Main Unit Specifications	8
Channel and Microphone Specifications	9
Special Notes and Troubleshooting Guide	10
Instructions on Changing Main Unit Battery	11
Warnings	12

Should you need any assistance please call 800-267-5486. To register your product for warranty and support please visit <http://www.ampli.com/support.htm> or submit warranty registration card to...

Amplivox Sound Systems
3995 Commercial Ave.
Northbrook, IL 60062

1 Year Limited Warranty on manufacturer's defect only. This does not cover accidental damage or abnormal operating/storage conditions such as extreme heat or cold or excessive moisture. Please contact the manufacturer (information above) for service or replacement. Warranty is considered null and void should the product case be opened or appear tampered with.

Main Unit

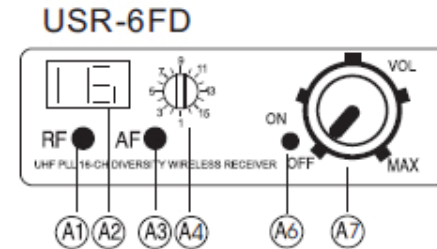


1. Carry Handle: To extend or retract the carry handle press the button on the top of the telescoping handle firmly then lift or retract as desired.
2. Hard Shell Case: Audio accessory units factory installed in durable hard shell case.
3. Front Cover: Speaker with fixed grill.
4. Front Upper Cover: High Range Speaker (For High Frequencies).
5. Heat Sink Board: Heat sink.
6. Loudspeaker: (6A) Full range 8" speaker.
7. Luggage Wheels: Easily transport unit from place to place... Extend handle to roll.
8. Grill Cover: Metal Mesh Grill Cover for Speaker Protection
9. Tripod Socket: For tripod stand. Rotates on Tripod 360 degrees to enhance sound projection in any acoustic setting.
10. Power On/Off: [-] On, power start; [0] Off, power off, please turn off electricity when not in use.
11. AC Power Input: Automatically switches for international use based on voltage. 90v-264v.

1

Main Unit - Wireless Control

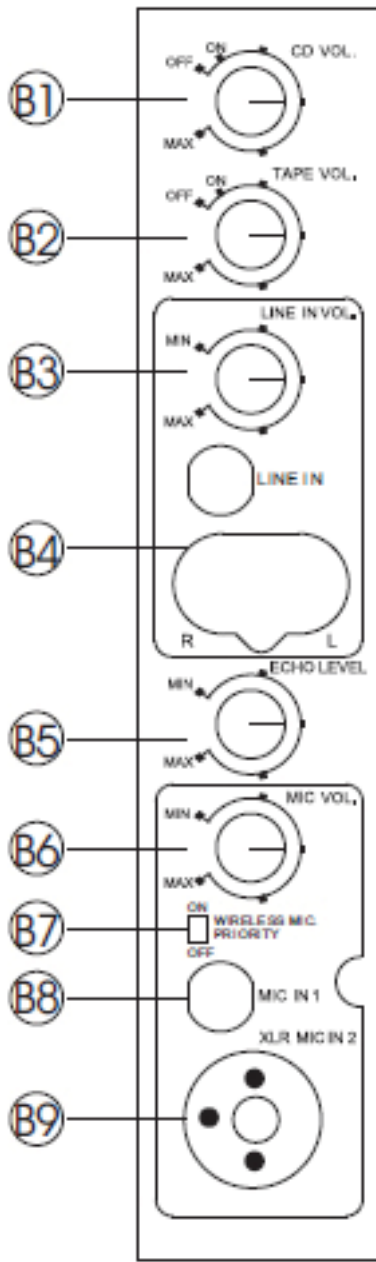
12. Lead Acid Rechargeable Battery: User Replaceable - Remove 2 screws and battery plates from main panel board. Remove batteries from the unit. When reinserting batteries please note the direction of the battery. Positive- Red line with Red Line Terminal; Negative - Black Line with Black Line Terminal.
13. Storage Area: Store system microphone, remote control, and AC power cord.
14. Microphone Battery Recharging Box: Simultaneously charge 4 1.2V/1300mA/2500mA for the spare rechargeable batteries of microphone, red light as in charging, green continuous light as full load charged.
15. Carry handle with wheels



- A1. RF (Radio Frequency) Signal Indicator: The yellow LED RF lights up to indicate when a wireless audio signal is being received and transmitted.
- A2. LED channel display: When a channel is selected (A4), the current channel is showed on the display.
- A3. AF Signal Indicator: The red LED AF lights up when the microphone signal is being transmitted and received and the microphone is on.
- A4. Channel selector: Turn rotating selector to one of 16 user selectable channels.
- A5. RA/RB Diversity A/B indicator: the LED lights glow when the receiver detects RF signals from the transmitter. If it is only one light glows means only one signal received from one antenna.
- A6. Power ON/OFF: Indicates power is on or off. Turn on by rotating volume control.
- A7. Volume control: Rotate volume knob clockwise to increase volume to desired level or counterclockwise to decrease volume until the power switches off.

2

Master Panel Control



B1. CD VOL: Volume control with on/off. Rotate to turn unit on.

B2: Tape volume: Not Used.

B3. Line in VOL: Volume control for external audio input.

B4. RCA Audio Line in: Plug In CD, DVD, MP3, or any external audio source with RCA Cable (Cables available to switch from multiple formats to RCA).

B5. Digital Echo volume control. Creates Reverb for better sound in larger rooms and/or vocals.

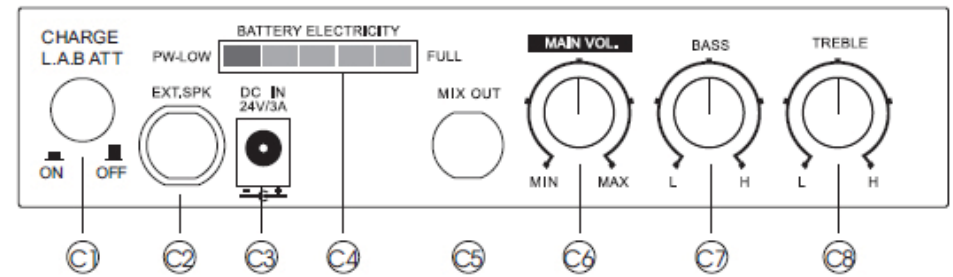
B6. Wired MIC volume control. Controls your mic volume independent of other inputs.

B7. Select Wireless Microphone Priority.

B8. 1/4" Microphone input jack. Accepts male 1/4" microphone cable. Use XLR jack for XLR cables.

B9. Balanced XLR Microphone Input Jack. Accepts standard Male XLR cable. Use 1/4" jack for 1/4" Cables.

Power & Volume Panel



C1. Battery Charge Indicator: Press power switch to turn unit on. Plug in AC power to recharge the battery.

C2. External Speaker Output

C3. DC IN 24V/3A

C4. Wireless MIC Battery Strength Indicator - The greater the batter charge the further the indicator will light up towards the right

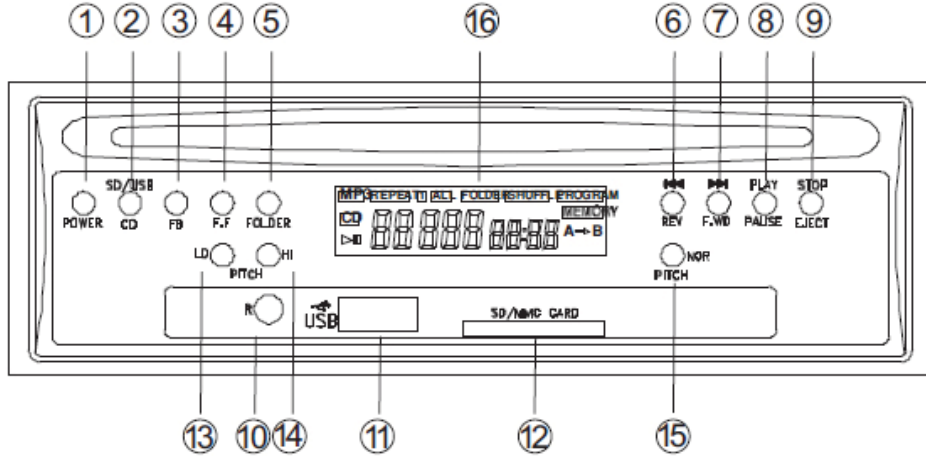
C5. Line Out

C6. Main Volume control

C7. Bass Level - Controls the bass tone output of the system. Turn to the right for increased bass response.

C8. Treble Level - Controls the treble tone output of the system. Turn to the right for increased treble response.

CD/USB/SD Audio Player & Remote



1. **Power : On** - Press Power to switch on the power. Press and hold Power to switch off the power.
2. **SD / USB / CD** - Change mode from SD to USB or CD.
3. **Reverse** - Press to search in reverse through track. Press "PLAY / PAUSE" to return to normal play.
4. **Forward** - Press to search or advance through track. Press "PLAY / PAUSE" back to normal play.
5. **Select files** - Available for playing DM3 format. Press FOLDER key and it will change to next folder.
6. **Reverse** - Press to change to previous track.
7. **Forward** - Press to change to next track.
8. **Play/Pause** - Press once play, press again to pause.
9. **Stop/Eject** - Press to stop play. Press again to eject disk.
10. **InfraRed Window** - Picks up signal from the remote control.
11. **USB Connector** - Connect USB thumb drive to system
12. **SD/MMC Card** - Connect SD Card or MMC Card.
13. **Low Pitch** - To adjust slow-speed play. Each time you press this button the pitch level decreases in increments of -1 (-1,-2,-3, ... -10) until a maximum of -10 is reached.
14. **High Pitch** - To adjust high speed play. Each time you press this button the pitch level increases in increments of 1 (1, 2, 3, ... 10) until a maximum of 10 is reached.
15. **Normal Pitch** - To adjust the speed/pitch to normal (or 0). Press NOR/PITCH key. Play will resume at normal speed.

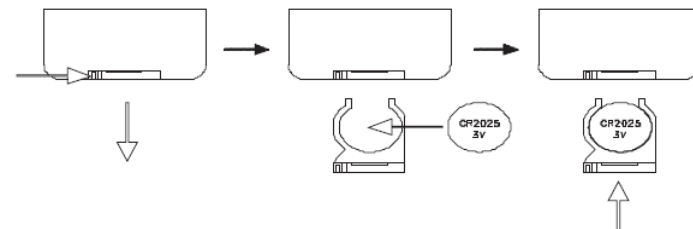
5

CD/USB/SD Audio Player & Remote Continued

16. **LCD Display** - Displays CD status including track number and playing time.
17. **Program** - Programs into memory a set playing procedure. Press "PROG" key (LCD Indicator will read "MEMORY") then select track/song number (23 = press 2 then press 3) then press confirm to add to memory. Enter next number for program and then hit confirm . When programming is complete press play and CD will play tracks in programmed order. To cancel program press "PROG" key twice.
18. **Random** - A random selection is played from available tracks. Press " and LCD it shows SHUFFLE. Press again to cancel
19. **Repeat** - Repeat mode.
 Press 1 - Repeats all tracks after playing to the end. LCD shows REPEAT ALL
 Press 2 - Repeats individual track. LCD shows REPEAT 1
 Press 3 - Repeat Cancels
20. : To next Track
21. : Skip Current Track
22. : On/Off Mute
23. : Confirm or OK selection
24. **Zone Memory "A-B"** - While playing track press A-B and system will memorize a start point to play current track. Press again to end selection. Player will repeat everything contained from the first press of the button to the second press. You can isolate a chorus or any part of a song with this method. A common use is to figure out lyrics or listen to just one part of a song over and over again. Press "A-B" again to cancel Function.

Notes:

1. When inserting or removing the disk from the CD player, let the system move the CD in or out at its own rate. Do not push or pull CD to load or retrieve more quickly. Damage to the mechanism may occur and render your product inoperable. This type of abuse is not covered by normal warranty coverage.
2. When using the remote control, please aim towards the receiving area of the face plate. Stand within 15 feet of the unit to use remote control. Remote batteries model CR2025 3V should be the only type placed in the remote controller.
3. Battery installation of remote control.
 1. Press and hold the nodule located on lower left-hand corner of the rear of the remote control, then pull out the battery slot by pulling the slot to the right of the nodule.
 2. Place the battery... positive electrode faces upwards.
 3. Push the battery compartment back to the fixed position.



6

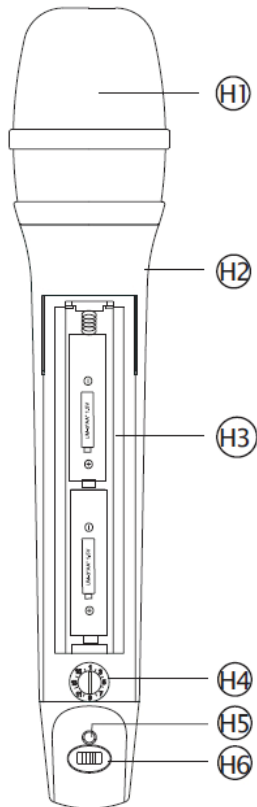
USB/SD Card Slots / Handheld Microphone

USB Port Media Player in CD Player Unit

1. Insert USB media into USB slot on CD Player.
2. Press SD / USB / CD on CD Player or Remote Control until USB is selected.
3. Press PLAY / PAUSE on CD or Remote Control to begin playing media.
4. Other controls on CD Player and Remote (Stop, Forward, Reverse, etc.) work in the same way they do when playing a CD. See Above.

SD/MMC Card Slot Media Player in CD Player Unit

1. Insert SD Card or MMC Card into SD/MMC CARD slot in the face plate. Push the card in until it latches into the unit.
2. To Release the SD Card **push the card into the unit FIRST** and then pull the card out. Not pushing in before removing can damage your media and the unit.
3. Press SD / USB / CD on the CD Player or remote control until SD is selected.
4. Press PLAY / PAUSE on the CD Player or remote control to begin playing media.
4. Other controls on the CD Player and Remote (Stop, Forward, Reverse, etc.) work in the same way they do when playing a CD. See Above.



UH-816

Handheld Wireless Microphone

- H1. Steel grille: Protects microphone equipment and serves as a mild wind break for reduce ambient noise.
- H2. Aluminium neck ring. Remove cap by rotating threaded head here.
- H3. Battery Compartment: Two 1.5V or 1.2V batteries.
- H4. Channel switch from 1 to 16. Rotate switch to change wireless frequency for optimal reception. Must remain on same channel set on main unit, so set channel on main unit first.
- H5. Battery indicator: Red light indicator flashes when the batteries are almost out of power.
- H6. Power switch on / off: Controls microphone power.

Specifications

TITAN Wireless PA	
Speaker	4 Ohm 8" Full Range
Receiver Module	UHF PLL Single or Dual - 16 User Selectable Channels
Frequency Band	UHF ~900mhz
Output Power	RMS 100 Watts (Class D-Digital Amplifier System)
Function	Anti-Shock CD Player, USB Player, SD Card Player
Charging Time	Main Unit: 6-8 Hours Handheld Mic: Approximately 4 Hours
Operating Time	Average of 3-10 hours depending on volume, and use of components
Power Supply	90V-264V (2A) auto Switching for International power sources
Rechargeable Battery	Main Unit: 12V / 4.5Ah (2 peices) Lead Acid Battery Handheld Mic: 1.2V / 1.3Ah Nickel-Hydrogen Battery
Frame Material	Waterproof P. P. Fiber Plastic (Plastic Steel)
Special Design	<ul style="list-style-type: none"> • Low Power Consumption with Class D Amplifier • Automatic charge design • Top Storage for Accessories and battery recharger for microphones • Battery Charges while in use • Digital Echo/Reverb Controls • One Touch Retractable Luggage Carry Handle
Dimensions	19.5-in. H x 13in.W x 11.5in.D
Weight	Approximately 35 lbs.

Channel and Microphone Specifications

Channel Specifications (Wireless Frequency Channel)	
Carrier Frequency Range	UHF 600-960MHz
Stability	+/- 0.005%
Deviation	+/- 40KHz, with level Limiting circuit control
Dynamic range	>110dB
S/N Ratio	>105dB
T.H.D.	<0.5%
Squelch Circuit	Pilotone squelch / PLL Synthesized Receiver / Non-Diversity
Frequency Response	50Hz~18KHz63dB
Receiver Mode	Quartz and Tone Squelch True Diversity/
Wireless Microphone Capsule Type	Single Receiver/Non-Diversity or PLL System
Wireless Transmitter Ratio	Dynamic Capsule or Condenser Capsule Approx 10mW
Transmitter Battery	AA No 3 Batteries (2 pcs) / 9V Battery (1pc)

Microphone Specifications	
Carrier frequency range	600-960MHz
Pre-programmed Frequency	Preset 16 Channels
Frequency stability	<0.005%
Frequency response	50Hz-18KHz(± 3dB)
Antenna	External antenna
Battery	1.5v x 2 or 1.2V x 2(AA UM-3)
Weight	3.4 ozs

Special Notes & Troubleshooting Guide

Note On Unit Installation

1. For best sound projection unit should be placed on raised surface or tripod 4-6 feet above the floor.
2. When turning on the system initially, volume should be set to lowest settings, and raised as needed.
3. The battery charge light will blink green when the batteries are charging, but will remain steady once fully charged.
4. If there is poor wireless microphone reception (crackling, buzzing or cutting in and out), change the channels on the main unit and wireless microphone to one of the other available 16 channels. There may be interference on the channel your operating on. It is also a likely possibility that the microphone's batteries need recharged/replaced if wireless signal is weak.
5. If adding your own external speaker, the requirements are 4Ω/80W. Failure to meet these requirements may result in poor audio, or excessive feedback.

Troubleshooting Guide

1. Make sure battery's positive side faces up when changing the remote control batteries, and observe the correct insertion direction (positive/negative) for the system's and microphone's rechargeable batteries before calling for support.
2. Turn unit off while not in use and remove batteries if unit is to be left unused for a long period of time.
3. Operating time depends on volume. When the green signal is steady (not flashing) battery is fully charged. If indicator is flashing unit can receive charge. If charge is very low the indicator will remain off. Please recharge as soon as possible. You may need to plug into external power source at this point.
4. To keep batteries in optimal condition, please charge once every 2-3 months.

Note on Unit:

1. Do not open this unit, or alter its components in any way. Doing so voids your warranty, and can result in electrocution or unit damage. You alone are liable if anything occurs when servicing the unit yourself.
2. Be careful not to drop or jar the unit severely. Damage may occur, and this type of abuse is not covered by the warranty.
3. Do not leave the unit exposed to the heat and direct sunlight for prolonged periods of time. Heat may damage the unit.
4. Do not use wheels in mud, stone or poor ground conditions to avoid any damage to wheel assembly.

Instructions on Changing Main Unit Battery



Refer to **instructions** and **diagram** below for changing batteries.

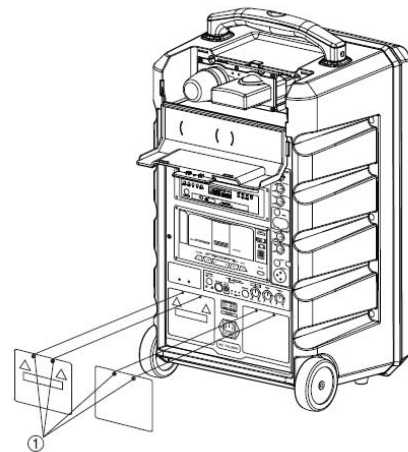
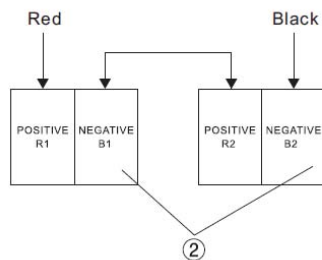
1. Please switch power off before changing the batteries.
2. Remove the 4 screws on the battery covers and remove batteries plates from main panel board and take old batteries out. Install the new batteries 12V/4.5A into battery compartment.
3. Make sure each battery is properly inserted. Then:
 - Connect red line into Positive R1 Red Line Terminal
 - Connect black line into Negative B2 Black Line Terminal
 - Connect Negative B2 Black Line Terminal to Gathered Negative B1
 - Connect Negative B1 Black to Positive R2 Red.

Note: Make sure the pole matches the color.
4. Then reattach the battery covers with four screws that were removed at the beginning of the procedure.



Attaching battery incorrectly may result in battery fluid Expulsion, corrosion, and possibly injury. Please call for technical assistance if needed. (800-267-5486)

Note: Diagram 1.



Warnings

Warning

Federal Communication Commission Interference Statement

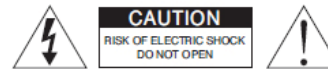
This equipment has been tested and found to comply with the limits for a Class B digital device, pursuant to Part 15 of the FCC Rules. These limits are designed to provide reasonable protection against harmful interference in a residential installation. This equipment generates, uses and can radiate radio frequency energy and, if not installed and used in accordance with the instructions, may cause harmful interference to radio communications. However, there is no guarantee that interference will not occur in a particular installation. If this equipment does cause harmful interference to radio or television reception, which can be determined by turning the equipment off and on, the user is encouraged to try to correct the interference by one of the following measures:

- Reorient or relocate the receiving antenna.
- Increase the separation between the equipment and receiver.
- Connect the equipment to an outlet on a circuit different from that to which the receiver is connected.
- Consult the dealer or an experienced radio/TV technician for help.

FCC Caution: To assure continued compliance, any changes or modifications not expressly approved by the party responsible for compliance could void the user's authority to operate this equipment. (Example use only shielded interface cables when connecting to computer or peripheral devices).

CAUTION: To reduce the risk of electric shock, do not remove the cover, No user serviceable parts inside. Refer servicing to qualified personnel. Exception: Battery may be changed by user if correct procedure is followed.

WARNING: To prevent fire or electric shock, do not expose this equipment to rain or moisture.



Explanation Of Graphical Symbols



The lightning flash with arrowhead symbol, within an equilateral triangle, is intended to alert the user to the presence of uninsulated dangerous voltage within the products enclosure that may be of sufficient magnitude to constitute a risk of electric shock to humans.



The exclamation point, within an equilateral triangle, is intended to alert the user to the presence of important operating and maintenance(servicing) instructions in the literature accompanying the appliance.



This page left blank intentionally

EXTEND YOUR VOICE WITH
AMPLI VOX[®]
PORTABLE SOUND SYSTEMS

TITAN WIRELESS PORTABLE PA

Amplivox Sound Systems LLC.
3995 Commercial Ave.
Northbrook, IL 60062
800-267-5486