



# Specifications

## Two-Way Loudspeakers

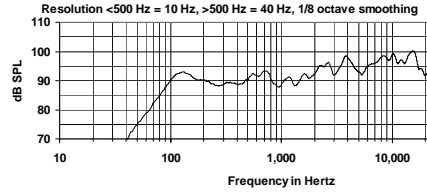
Model	I/O5	I/O8
Frequency Response $\pm 4$ dB	90 Hz to 18 kHz	80 Hz to 18 kHz
Sensitivity (1W/1m)	85 dB	87 dB
Power Capacity	60 W	120 W
Impedance	8 ohms	8 ohms
Protection	Auto-resetting PTC	Auto-resetting PTC
Dimensions (H x W x D)	11.2" x 6.6" x 6.4" (283 x 167 x 163.5 mm)	17.7" x 10.4" x 10.2" (450 x 265 x 260 mm)
Accessories Included	I/O5 "Infin-A-Ball" Mounting Bracket	I/O8 "Infin-A-Ball" Mounting Bracket
Net Weight (Per Loudspeaker)	5.2 lbs / 2.35 kg (Per Loudspeaker)	14.06 lbs / 6.37 kg (Per Loudspeaker)
Shipping Weight (Two Per Box)	14.64 lbs / 6.64 kg (Per Pair)	38.82 lbs / 17.61 kg (Per Pair)

Model	I/O5T	I/O8T
Frequency Response $\pm 4$ dB	100 Hz to 16 kHz	90 Hz to 16 kHz
Transformer Taps	70V = 5W, 10W, 20W 100V = 10W, 20W 8 $\Omega$ = 60W	70V = 10W, 20W, 40W 100V = 20W, 40W 8 $\Omega$ = 120W
Impedance	8 ohms (Tap Select P1)	8 ohms (Tap Select P1)
Protection	Auto-resetting PTC	Auto-resetting PTC
Dimensions (H x W x D)	11.2" x 6.6" x 6.4" (283 x 167 x 163.5 mm)	17.7" x 10.4" x 10.2" (450 x 265 x 260 mm)
Power Handling (8 $\Omega$ RMS)	30 W	60 W
Power Handling (8 $\Omega$ Cont. PGM)	60 W	120 W
Sensitivity (1W/1m)	85 dB	87 dB
Crossover Frequency	2 kHz	2 kHz
Accessories Included	I/O5 "Infin-A-Ball" Mounting Bracket	I/O8 "Infin-A-Ball" Mounting Bracket
Net Weight (Per Loudspeaker)	6.74 lbs / 3.05 kg (Per Loudspeaker)	16.32 lbs / 7.4 kg (Per Loudspeaker)
Shipping Weight (Two Per Box)	17.72 lbs / 8.04 kg (Per Pair)	43.34 lbs / 19.66 kg (Per Pair)

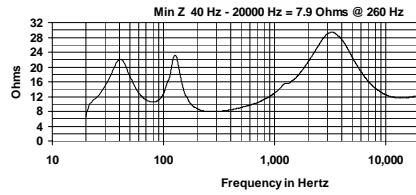
# Specifications *(continued)*

## I/O5

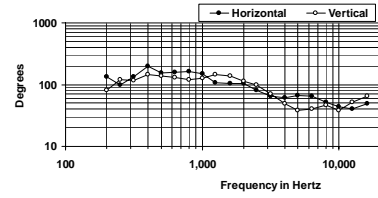
### FREQUENCY RESPONSE



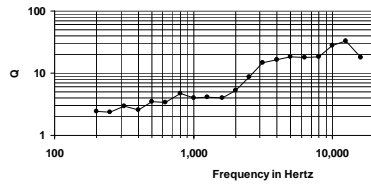
### IMPEDANCE



### BEAMWIDTH

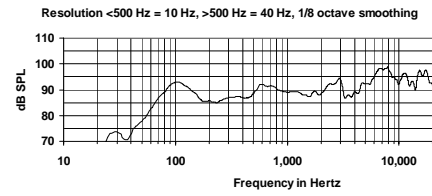


### AXIAL Q

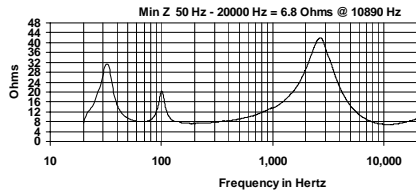


## I/O8

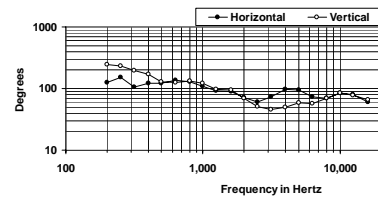
### FREQUENCY RESPONSE



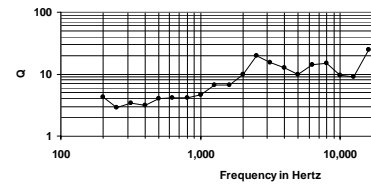
### IMPEDANCE



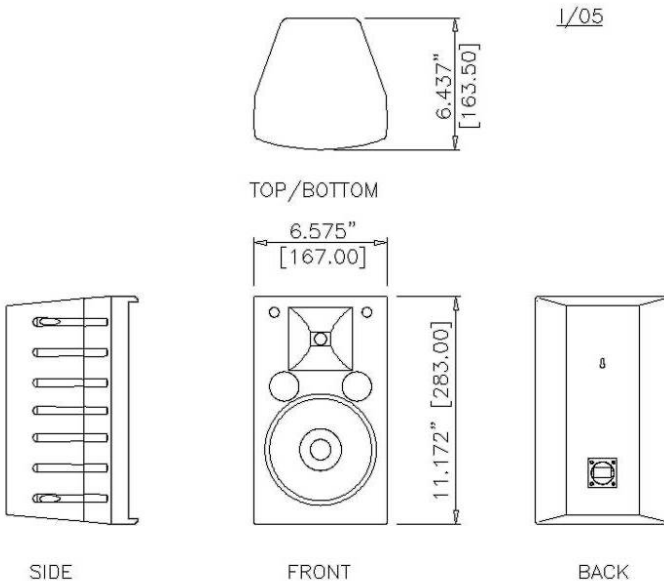
### BEAMWIDTH



### AXIAL Q



## I/O5 Dimensions

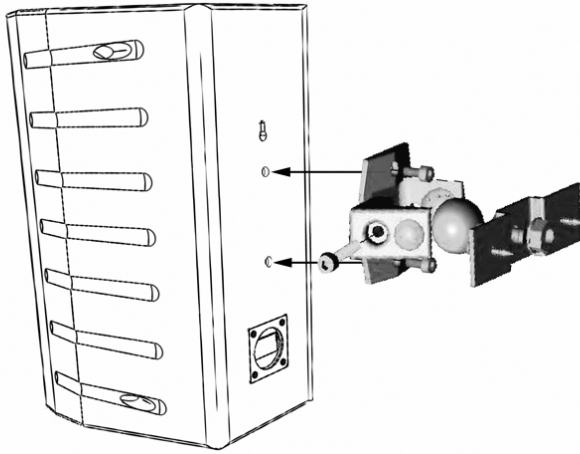


## I/O Series Terminal Posts

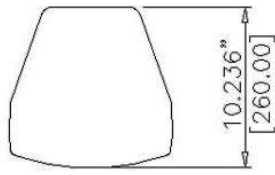


Terminal Posts

## I/O5 Infin-A-Ball Mounting Bracket

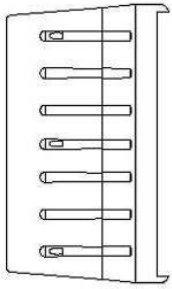


# I/O8 Dimensions

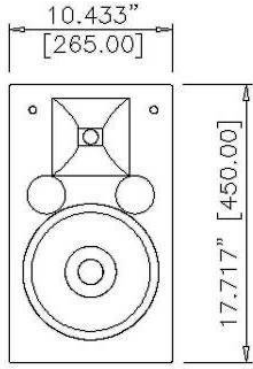


I/O8

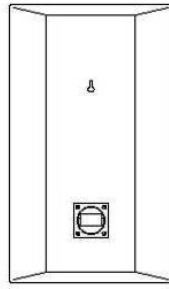
TOP/BOTTOM



SIDE



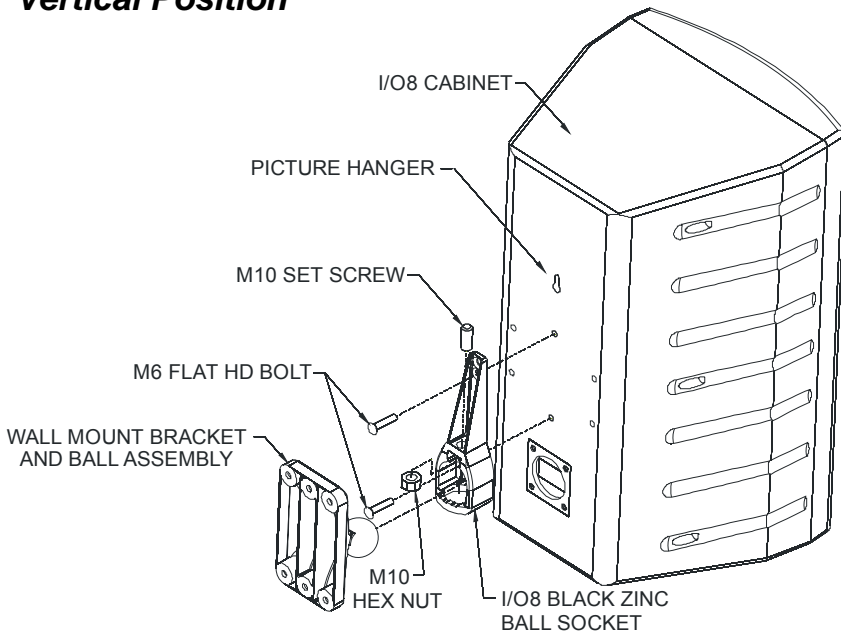
FRONT



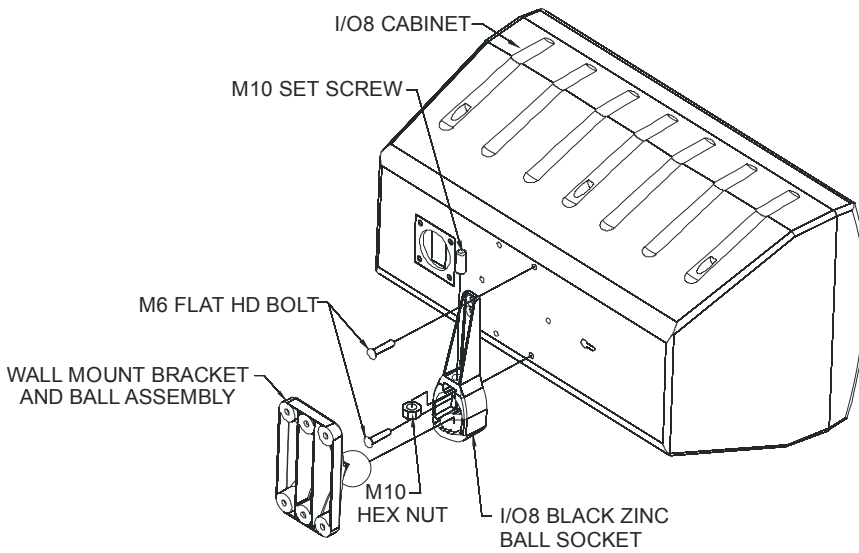
BACK

# I/O8 Infin-A-Ball Mounting Bracket

## Vertical Position



## Horizontal Position



## Overview

The I/O5 and I/O8 are the perfect choice for audio professionals looking for compact, high performance speakers for a wide variety of applications, including small clubs, retail locations, theme parks, stadia, airports, music and paging systems, convention centers, hotels and resorts. Both models are full-range design providing high power handling, high sensitivity, and wide dynamic capability, both indoors and out.

The I/O5 is a 5-inch two-way compact system that is designed to provide superior performance in areas where space is at a premium. The I/O5 can easily outperform loudspeakers of a larger size format, and handles 60 watts of power. Other features include a smooth sounding ½-inch diaphragm Mylar dome tweeter and a long throw 5-inch woofer.

The I/O8 is a compact 8-inch two-way system which can outperform competitive 10-inch format systems, and handles 120 watts of power. The I/O5 and I/O8 offer high sensitivity and high power handling to allow dynamic, realistic sound reproduction over their full operation range.

Both the I/O5 and I/O8 are elegantly styled in black or white finishes, and include Community's unique "Infin-A-Ball" mounting bracket with the systems to allow positioning of enclosures in exactly the right space or angled for optimum performance.

### Weather-Resistant Features:

- Polypropylene LF cones for reliability and durability.
- Powder-coated painted steel grille is designed to prevent rusting.
- I/O5T and I/O8T incorporate both Hi and Low impedance selections, reducing SKU requirements.
- Can be used in areas with high humidity -- Suitable for outdoor applications such as swimming pools, sports stadia, leisure parks, cruise ships and schools, as well as for indoor public address systems (indirect weather positioning will increase the life of this product).

### Other Features:

- Compact injection molded cabinet
- 90 x 50 dispersion
- Binding post inputs for easy and secure terminations
- Suitable for indoor and indirect outdoor applications of all types
- Infin-A-Ball mounting bracket included
- Available with or without a 70V/100V transformer
- Available in black or white finishes
- Five-year warranty

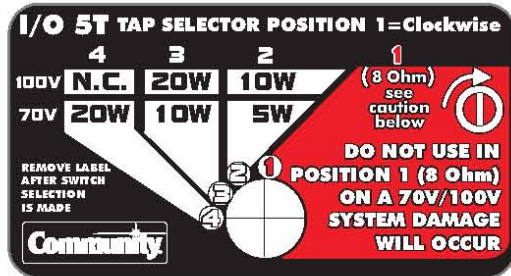
# Transformer Settings

I/O5T and I/O8T Models

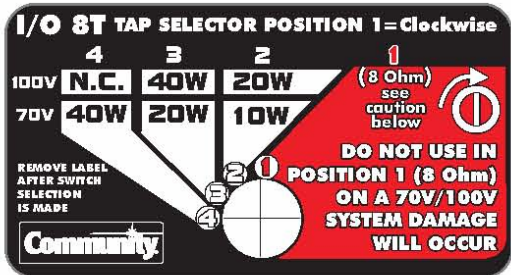
**IMPORTANT NOTE:** DO NOT USE TAP IN POSITION ONE (8 ohm) on 70V/100V SYSTEMS. DAMAGE WILL OCCUR.

Please refer to the tap setting label before making a tap selection. This label can be removed after setting. Tap setting diagrams are also included on the back of the speaker.

I/O5T Tap Label  
Back of Speaker



I/O8T Tap Label  
Back of Speaker



Tap Label  
Bottom of Speaker



## Warranty Information

The Community I/O5 and I/O8 Two-Way Compact Loudspeakers are warranted in the USA to be free from defects in materials and workmanship for a period of five (5) years, as determined by one of the following two methods, whichever is longer:

1. Starting from the date of retail purchase, as noted on the sales receipt from an authorized Community dealer,

OR

2. Starting from the date of manufacture, determined by the serial number, if the sales receipt is not available.

This warranty applies to the product; therefore, the remainder of the warranty period will be automatically transferred to any subsequent owner.

This warranty applies only to failure of a Community I/O5 and I/O8 Loudspeaker caused by defects in materials and workmanship during the stated warranty period. It does not apply to a unit that has been subjected to abuse, accident, modification, improper handling/installation, or repairs made without factory authorization or by anyone other than authorized Community Field Service Stations. This warranty is void if the serial number has been defaced, altered or removed. Products covered by this warranty will be repaired or replaced at the option of Community, without charge for materials or labor, provided all the terms of this warranty have been met.

### **OBTAINING WARRANTY SERVICE:**

Warranty service may be obtained from the factory or from an authorized Field Service Station. To obtain factory or field warranty service for products purchased in the United States, return the product for inspection to the address below, freight prepaid, in the original packaging. If the original packaging is not available, call or write Community Warranty Service to obtain proper packaging materials or hand carry the product to the nearest Field Service Station. Call (610) 876-3400 for the nearest authorized Field Service Station.

Community Warranty Service  
333 East 5th Street  
Chester, PA 19013-4511

For factory service, please call (610) 876-3400 for a Return Authorization (R/A) number before shipping. If the product is shipped, the following information must be included in the package:

1. Owner's complete name, daytime phone number, return street address and return authorization number.

2. The serial number of the product being returned and a copy of the retail sales receipt, if possible.

3. A complete description of the problem(s) experienced, including a brief description of how the equipment is being used and with what brand, model and output power of amplifier. Upon receipt, the service center will determine if the problem is covered under warranty. If covered under warranty, the product will be repaired or replaced, at Community's option, and returned to the owner freight prepaid. If the problem is not covered under warranty, the owner will be notified of the problem with an estimate of the repair costs.

Consequential and Incidental Damages: Community shall not be liable for any consequential or incidental damages including, without limitation, injury to persons, property, or loss of use. Some states do not allow the exclusion or limitations of consequential or incidental damages, so the above limitations and exclusions may not apply.

This Community warranty is not extended by the length of time which an owner is deprived of the use of the product. Repairs and replacement parts provided under the terms of this warranty shall carry only the remaining portion of the warranty.

Community reserves the right to change the design of any product from time to time, without notice and with no obligation to make corresponding changes in products previously sold or manufactured.

While this warranty gives specific legal rights, there may also be other rights that vary from state to state. No action to enforce this warranty shall be permitted ninety days after expiration of the warranty period.

THIS STATEMENT OF WARRANTY SUPERSEDES ANY PREVIOUS WARRANTY STATEMENTS FOR COMMUNITY LOUDSPEAKER PRODUCTS.

## **WARRANTY INFORMATION AND SERVICE FOR COUNTRIES OTHER THAN THE USA**

To obtain specific warranty information and available service locations for countries other than the United States of America, contact the authorized Community Distributor for your specific country or region.



Community Professional Loudspeakers  
333 East Fifth Street, Chester, PA 19013-4511 USA  
(610) 876-3400 · Fax (610) 874-0190  
[www.communitypro.com](http://www.communitypro.com)