

Synexis TP

Beltpack Transmitter

FEATURES

- Ergonomic design
- 19 selectable frequencies
- Channel selector buttons
- Channel lock function
- On/off switch
- LED to display operation or charging status
- OLED display to indicate channel, battery status, frequency and channel lock function
- Mute function for microphone
- Aux-In connection for audio source such as MP3 player, mini stereo jack (3.5 mm)
- Adjustable gain via 3-stage switch (Hi/Mid/Low)
- Microphone connection, 4-pin mini XLR
- Operation with two rechargeable NiMH batteries or 1.5 V batteries
- Integrated charging contacts
- Intelligent charging technology with auto-off function
- Removable belt clip to attach the transmitter to the clothing
- Can be worn around the neck when using a strap
- Soft-touch surface for pleasant handling
- Automatic NiMH / Alkaline battery recognition

OPTIONAL ACCESSORIES

MCE 55.18 BLK	Mini condenser lavalier microphone, omnidirectional, waterproof, 4-pin female mini XLR connector, black	Order # 475.408
MCE 55.18 SC	same as above, but beige	Order # 475.416
MCE 10.18	Condenser lavalier microphone, hypercardioid, 4-pin female mini XLR connector, black	Order # 471.895
Opus 54.18 BLK	Neckworn microphone, condenser, cardioid, 4-pin female mini XLR connector, black	Order # 464.945
Opus 54.18 SC	same as above, but beige	Order # 474.223
Opus 55.18 Mk II BLK	Neckworn microphone, condenser, omnidirectional, waterproof, 4-pin female mini XLR connector, black	Order # 475.394
Opus 55.18 Mk II SC	same as above, but beige	Order # 475.386
PEM 10.18 BLK	Earworn cardioid condenser microphone, 4-pin mini XLR connection, with pop shield, black	Order # 485.039
PEM 10.18 SC	same as above, but beige	Order # 485.020
PEM 60.18 BLK	Earworn omnidirectional condenser microphone, 4-pin mini XLR connection, with pop shield, black	Order # 485.012
PEM 60.18 SC	same as above, but beige	Order # 485.004

COMPONENTS

Synexis TP2 Frequency range 216 MHz Order # 721.492

1 of 2



APPLICATIONS

The Synexis TP beltpack transmitter is used together with the Synexis RP beltpack receiver for guided tours or conferences. Transmitter and receiver can also be used for multilingual interpretation applications with a maximum of 19 channels. The transmitter and receiver can also be used in conjunction with hearing aids.

The operation range is approximately 229.7 ft (70 m) with a line of sight between transmitter and receiver.

The transmitter can be attached to the clothing with the removable belt clip or worn around the neck with a strap.

The ergonomic design and the operating elements allow an easy and intuitive operation.

Depending on the application, requirement or preference the user can connect an appropriate microphone to the 4-pin mini XLR connection. With the mute button the microphone can be muted for possible individual agreements. Unintended listening is avoided in this way.

An internal switch allows selecting the gain for close or distant miking.

An external audio source can be connected to the Aux-In connection to play standard phrases or music.

The OLED display provides a brilliant, easily readable indication of channel, battery status, frequency and channel lock function. With the channel lock function accidental shifting of the selected channel is avoided.

The transmitter is powered by two rechargeable NiMH batteries or 1.5 V AA batteries. Due to the integrated charging contacts the rechargeable batteries can remain in the transmitter during charging. The intelligent charging technology automatically switches off the transmitter when charging.

The automatic NiMH / Alkaline battery recognition is an essential safety feature and excludes an incorrect operation.

SUPPLIED ACCESSORY

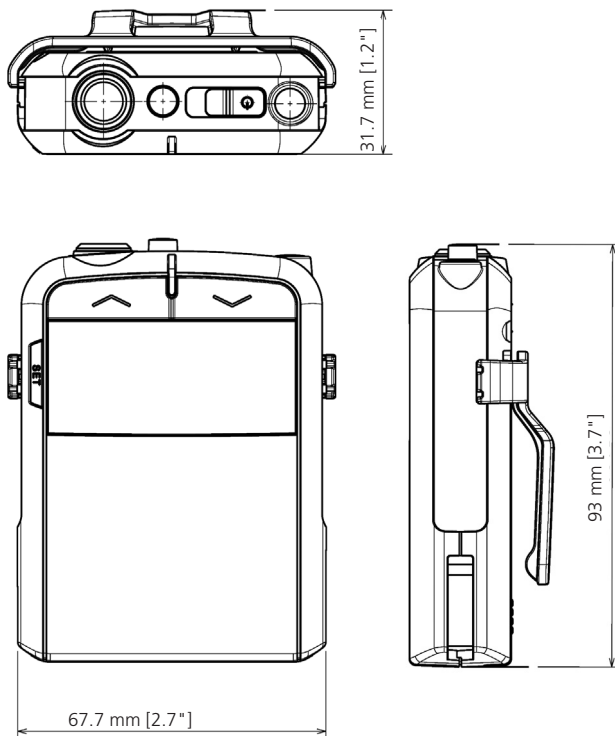
2 x rechargeable NiMH batteries, AA mignon, 2100 mAh

Synexis TP

TECHNICAL SPECIFICATIONS

Oscillation type	PLL synthesized control OSC
Carrier frequency range	216.025 - 216.975 MHz
Adjustable channel	19 channels
Frequency response	100 Hz - 10 kHz
Dynamic range	> 70 dB
Ambient temperature	-10 - +50 °C [14 - 122 °F]
T.H.D.	< 2%
Battery	Two 1.2 V AA (NiMH, 2100 mAh) or two 1.5 V AA (Alkaline)
Operation range	70 m [229.7 ft] (line of sight)
Microphone capsule type	Condenser
Antenna	Microphone cable serves as antenna
RF output power	< 10 mW
Spurious emission	< 250 nW
Audio input	Mic in and Aux in
Maximum deviation	±10 kHz
Operation hours	NiMH – approx. 12 hours Alkaline – 12 hours min.
Max. charging time	approx. 5 hours
Dimensions (D x W x H)	31.7 x 67.7 x 93 mm [1.2" x 2.7" x 3.7"]
Weight (without batteries)	90 g [0.2 lbs]

DIMENSIONS



All dimensions in mm and [inch].

2 of 2

ARCHITECT'S SPECIFICATIONS

Beltpack transmitter in a compact, ergonomic design to connect different clip-on or neckworn microphones with 4-pin XLR connector. 19 selectable frequencies in the frequency range of 216 MHz. On/off switch and button for microphone mute function. Adjustable gain to meet the ambient sound level. OLED display to indicate transmitting channel, battery status, operating mode, frequency and channel lock function. LED to display operation or charging status. Connecting cable of the microphone is used as antenna. Aux-In connection for audio source such as MP3 player, mini stereo jack (3.5mm). Channel selector buttons and channel lock function to avoid accidental channel shifting. Removable belt clip and strap for high wearing comfort. Charging contacts integrated in the housing. Soft-touch surface. Integrated intelligent charging technology with Alkaline detection, temperature monitoring and auto-off function. Supplied with two rechargeable NiMH batteries, type LR 6, AA, mignon with a capacity of 2100 mAh.

Manufacturer: beyerdynamic
Type: Synexis TP2

CONSUMER ALERT

Most users do not need a license to operate this wireless microphone system. Nevertheless, operating this microphone without a license is subject to certain restrictions: the system may not cause harmful interference; it must operate at a low power level (not in excess of 50 milliwatts); and it has no protection from interference received from any other device.

Purchasers should also be aware that FCC is currently evaluating use of wireless microphone systems, and these rules are subject to change. For more information, call the FCC at 1-888-CALL-FCC (TTY: 1-888-TELL-FCC) or visit the FCC's wireless microphone website at www.fcc.gov/cgb/wirelessmicrophones.