

Synexis RP

Beltpack Receiver



FEATURES

- Ergonomic design
- 19 selectable frequencies
- Channel selector buttons
- Channel lock function
- On/off and volume control
- LED to display operation or charging status
- OLED display to indicate channel, battery status, frequency and channel lock function
- Mini jack socket (3.5 mm) to connect headphones or hearing aids (e.g. induction neckloop)
- Operation with two rechargeable NiMH batteries or 1.5 V AA batteries
- Integrated charging contacts
- Intelligent charging technology with auto-off function
- Removable belt clip to attach the receiver to the clothing
- Can be worn around the neck when using a strap
- Soft-touch surface for pleasant handling
- Automatic NiMH / Alkaline battery recognition

OPTIONAL ACCESSORIES

DT 1 S	Single-ear-phone, 32 Ω , mono mini jack (3.5 mm), cable length 0.8 m (2.6 ft.) Order # 471.399
DT 2	Headphone, 32 Ω , stereo mini jack (3.5 mm), cable length 0.8 m (2.6 ft.) Order # 484.679
DT 3	Headphone, 32 Ω , stereo mini jack (3.5 mm), cable length 0.8 m (2.6 ft.) Order # 484.571
Synexis IL100	Induction loop, 39.4" Order # 722.944

APPLICATIONS

The compact Synexis RP beltpack receiver is ideal for guided tours and conferences. It can however also be used for multilingual interpretation applications with a maximum of 19 channels. The receiver can also be used for transmitting the sound to hearing aids. A headphone or an induction neckloop for persons with a hearing aid can be connected to the mini jack socket (3.5 mm). The connecting cable of the headphone or the induction neckloop serves as an antenna so that the wearing comfort is not affected by a separate antenna.

The operation range is approximately 229.7 ft (70 m) with a line of sight between transmitter and receiver.

The OLED display provides a brilliant, easily readable indication of channel, battery status, frequency and channel lock function. With the channel lock function accidental shifting of the selected channel is avoided.

The receiver can be attached to the clothing with the removable belt clip or worn around the neck with a strap.

The receiver is powered by two rechargeable NiMH batteries or 1.5 V AA batteries. Due to the integrated charging contacts the rechargeable batteries can remain in the receiver during charging. The intelligent charging technology automatically switches off the receiver when charging. The automatic NiMH / Alkaline battery recognition is an essential safety feature and excludes an incorrect operation.

COMPONENTS

Synexis RP2 Frequency range 216 MHz Order # 721.468

SUPPLIED ACCESSORY

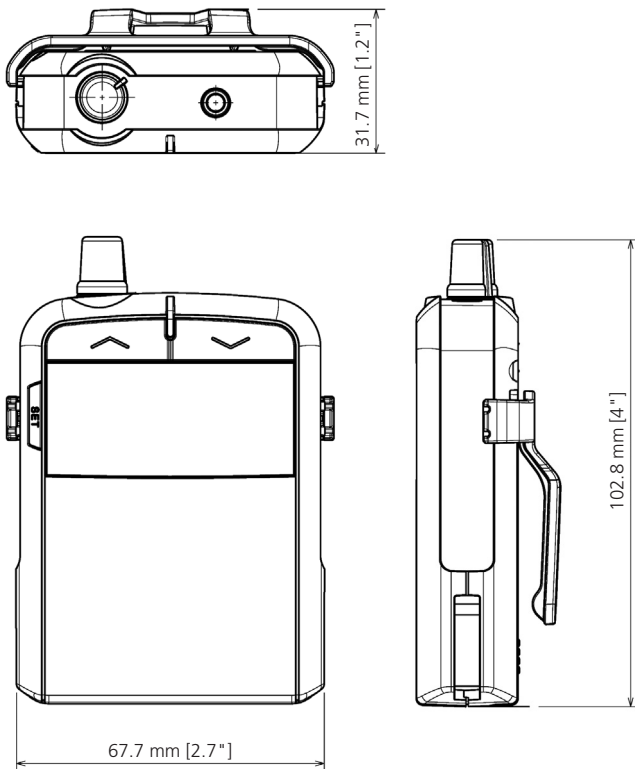
2 x rechargeable NiMH batteries, AA mignon, 2100 mAh

Synexis RP

TECHNICAL SPECIFICATIONS

Oscillation type	PLL synthesized control OSC
Carrier frequency range	216.025 - 216.975 MHz
Adjustable channel	19 channels
Frequency response	100 Hz - 10 kHz
Dynamic range	> 70 dB
Ambient temperature	-10 - +50 °C [14 - 122 °F]
T.H.D.	< 3%
Battery	Two 1.2 V AA (NiMH, 2100 mAh) or two 1.5 V AA (Alkaline)
Operation range	70 m [229.7 ft] (line of sight)
Sensitivity	1 µV @ Sinad 12 dB
Antenna	Headphone cable serves as antenna
Adjacent channel performance	60 dB @ 50 kHz
IMD rejection	21.4 MHz / 455 kHz
Audio level	1200 mV
Headphone jack	Mini jack (3.5 mm), applicable for either mono or stereo headphone
Operation hours	NiMH – approx. 20 hours Alkaline – 20 hours min.
Max. charging time	approx. 5 hours
Dimensions incl. belt clip (D x W x H)	31.7 x 67.7 x 102.8 mm [1.2" x 2.7" x 4"]
Weight (without batteries)	90 g [0.2 lbs]

DIMENSIONS



All dimensions in mm and [inch].

2 of 2

ARCHITECT'S SPECIFICATIONS

Beltpack receiver in a compact, ergonomic design to connect standard headphones or hearing aids with mini jack connector (3.5 mm). 19 selectable frequencies in the frequency range of 216 MHz. OLED display to indicate receive channel, battery status, operating mode, frequency and channel lock function. LED to display operation or charging status. With integrated antenna, on/off switch, channel selector buttons and channel lock function to avoid accidental channel shifting. Removable belt clip and strap for high wearing comfort. Charging contacts integrated in the housing. Soft-touch surface. Integrated intelligent charging technology with alkaline detection, temperature monitoring and auto-off function. Supplied with two rechargeable NiMH batteries, type LR 6, AA, mignon with a capacity of 2100 mAh.

Manufacturer: beyerdynamic
Type: Synexis RP2

CONSUMER ALERT

Most users do not need a license to operate this wireless microphone system. Nevertheless, operating this microphone without a license is subject to certain restrictions: the system may not cause harmful interference; it must operate at a low power level (not in excess of 50 milliwatts); and it has no protection from interference received from any other device.

Purchasers should also be aware that FCC is currently evaluating use of wireless microphone systems, and these rules are subject to change. For more information, call the FCC at 1-888-CALL-FCC (TTY: 1-888-TELL-FCC) or visit the FCC's wireless microphone website at www.fcc.gov/cgb/wirelessmicrophones.