

Description

Lowell CP8 Series protective backboxes with extended grille mounting flange are designed for recessed installation of distributed 8" speaker systems. Extended flange makes them ideal for use in new construction where the flange protects the opening from plaster, poured concrete, or sheetrock. The series may also be used in new or existing construction when installed into suspended tile ceilings. Choose from three depths to meet installation and acoustic requirements. *Model ULCP84 is 4"D and is part of UL 1480 5th Edition Listed Fire Protective Signaling Speaker Series ULD and ULS.*

Series CP8 backboxes are fabricated of welded, unitized heavy gauge steel and are sufficiently undercoated to eliminate acoustic and metallic resonance. Models CP84 and ULCP84 are 4"D with a foam pad. Models CP7 and CP810 are 7"D and 10"D respectively and are lined with 1-1/2" thick premium acoustic lining having a density rating of 1-1/2 pounds to absorb undesirable resonance in the high frequency range. Additional cubic volume of these models also allows the 8" speaker to operate at a more optimum loading level providing the system with improved low frequency response. As noted in the chart below, some models may additionally be used with 6.5" speakers and Lowell's Unihorn Model LUH-15T.

Each unit is furnished with four combination 1/2" - 3/4" conduit knockouts and four 1/2" wire knockouts. The grille mounting flange projects 0.437" for efficient installation in plaster, poured concrete, sheetrock, or suspended tile ceilings. The flange includes 8-32 screw retaining U-clips to accept a wide variety of Lowell 8" speaker grilles - see chart below (order separately). When installed in a suspended tile ceiling, tile bridge Model LBS8-CP or SS Series rails are recommended to transfer the assembly weight to the ceiling grid. The backbox is finished in Lowell's durable black powder epoxy.

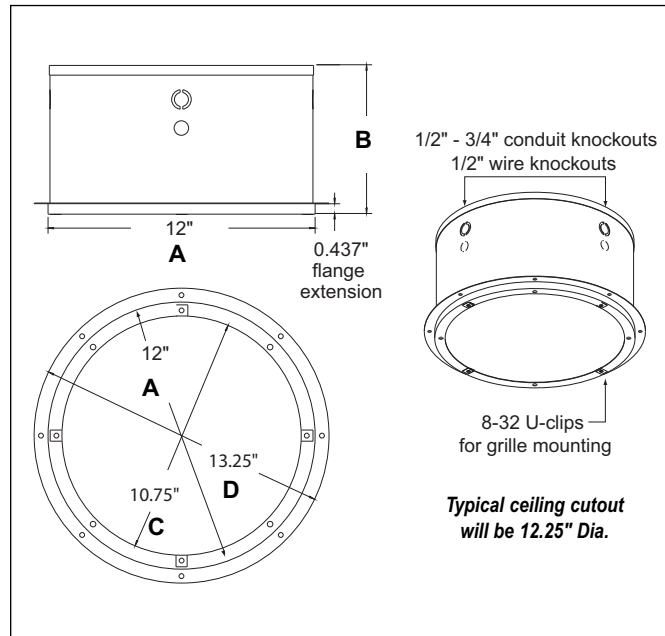
A & E Specifications

The recessed backbox for 8" speaker drivers shall be Lowell Model ____ (CP84, CP87, CP810). *Note: The UL Listed backbox for UL fire protective signaling (UL1480 5th edition) installations using Lowell UL speaker Series ULD and ULS with WB8 grille shall be Model ULCP84.*

Backboxes shall be fabricated of 22 gauge steel and undercoated to eliminate acoustic and mechanical resonance. Model CP84 shall have a foam pad, Models CP87 and CP810 shall be lined with 1-1/2" thick acoustic batting. Backbox dimensions shall be ____ and furnished with four 1/2" - 3/4" compound knockouts for conduit and four 1/2" wire knockouts. It shall be finished in black powder epoxy and have an extended flange to mount Lowell grille Model _____. It shall mount 8" driver Model _____. For suspended ceiling applications, tile bridge Model LBS8-CP or channel rail Model SS24 or SS30 may also be specified.



CP8 Series
Protective Backboxes for 8" Speakers



Backbox Specifications and Companion Mounting Accessories

Model	Speaker Size*	Features	Dimensions				Volume cu.ft.	Mounts Grille (order separately - see p.2)
			A	B	C	D		
CP84	8" (or Unihorn***)	Extended lip for sheetrock	12"	4.063"	10.75"	13.25"	0.266	A8-AW, CS-8H, LO-8P
CP87	8" (or 6.5" **)	Extended lip for sheetrock + batting	12"	6.687"	10.75"	13.25"	0.438	OM8-P, RS8-AW,
CP810	8" (or 6.5" **)	Extended lip for sheetrock + batting	12"	10.063"	10.75"	13.25"	0.659	WB-8***, WB-8H, WB-8-6**
ULCP84	8" UL Fire Speakers	Extended lip for sheetrock	12"	4.063"	10.75"	13.25"	0.266	WB8 on UL Spkr Series ULD and ULS

*Lowell offers a wide selection of 8" speaker drivers with optional 70V or 25V transformer for distributed voice paging and music. Popular 8" drivers include Model 805 (12W dual cone), 810 (15W dual cone), 8C10MRA (15W moisture resistant), CT830 (20W coaxial) and CT8320 (25W coaxial). Model 8A50 (50W coaxial) may be used in 10"D Model CP810 only.
 ** Grille Model WB-8-6 will only mount 6.5" driver Model 6A40. *** Lowell's narrow profile 15W Unihorn Model LUH-15T may be used with grille Model WB-8 and backbox Model CP84.



CP8 Series

Cylindrical Recessed Backboxes with Extended Flange for 8" Speakers

A U D I O

12"/10"
Speakers & Accessories

8"
Speakers & Accessories

6"
Speakers & Accessories

4"
Speakers & Accessories

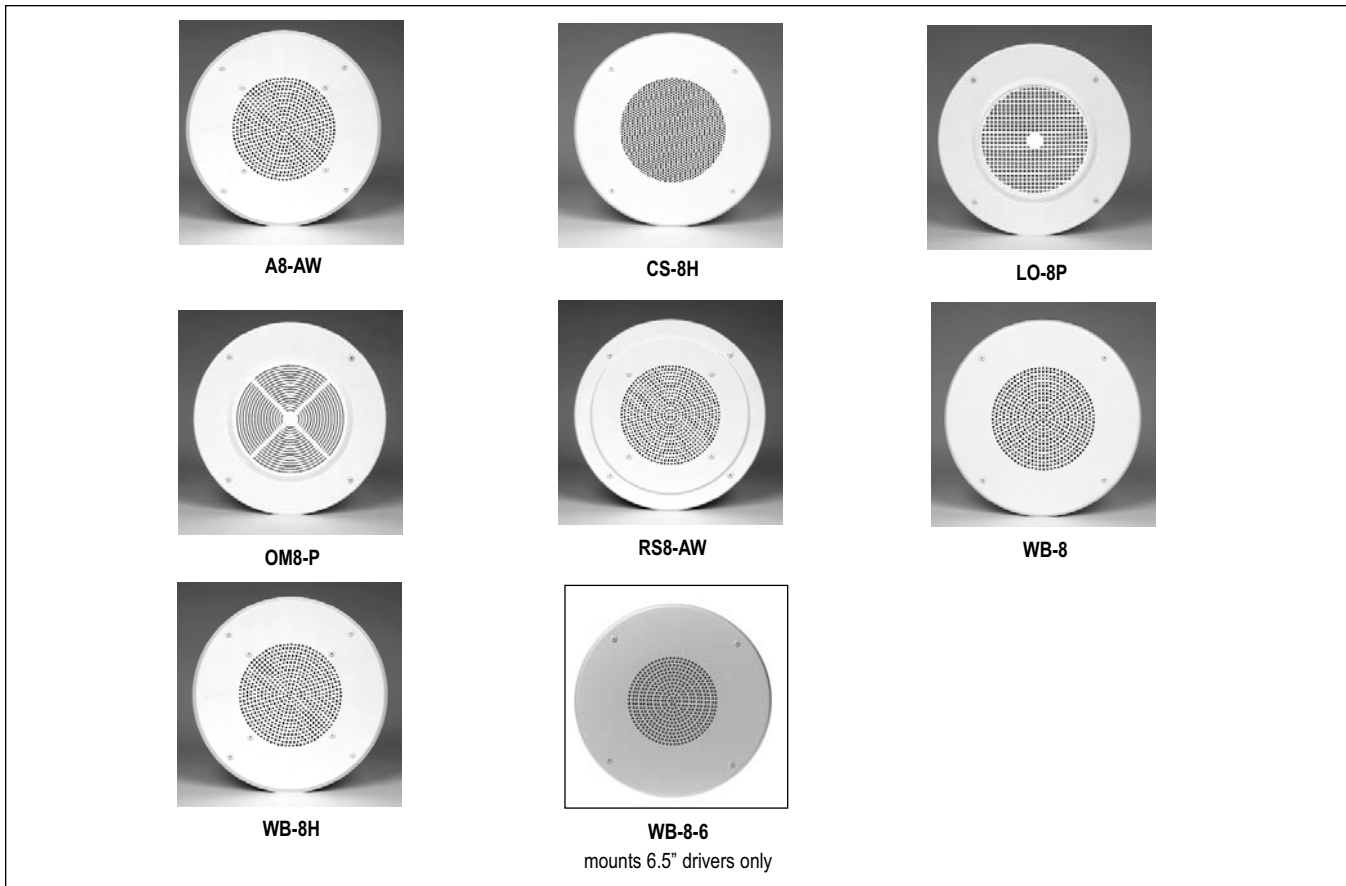
Horn
Speakers & Accessories

Masking
Speakers & Generators

Control
Accessories & Electronics

Backboxes - Recessed

Companion accessories for backbox Models CP84, CP87, CP810 (order separately)



Grille Details

Grille Model	Speaker Size*	Grille Size	Mounting Provisions	Material	Color	Backbox	+	T-Bridge (if required for suspended ceilings)
A8-AW	8"	12.875" Dia.	8 Screws	Alum.	White			
CS-8H	8"	12.875" Dia.	4 screws, 4 studs	Steel	White			
LO8-P	8"	12.625" Dia.	4 screws, 4 bosses	Plastic	White	CP84, CP87, CP810	LBS8-CP or SS rails
OM8-P	8"	12.625" Dia.	4 screws, 4 bosses	Plastic	White			
RS8-AW	8"	12.625" Dia.	8 screws	Alum.	White			
WB-8	8" (or Unihorn***)	12.875" Dia.	4 Screws, 4 studs	Steel	White			
WB-8H	8"	12.875" Dia.	8 Screws	Steel	White			
WB8-6	6.5" **	12.875" Dia.	4 screws, 4 studs	Steel	White	CP87, CP810	LBS8-CP or SS rails

*Lowell offers a wide selection of 8" speaker drivers with optional 70V or 25V transformer for distributed voice paging and music. Popular 8" drivers include Model 805 (12W dual cone), 810 (15W dual cone), 8C10MRA (15W moisture resistant), CT830 (20W coaxial) and CT8320 (25W coaxial). Model 8A50 (50W coaxial) may be used in 10"D Model CP810 only.

** Grille Model WB-8-6 will only mount 6.5" driver Model 6A40. *** Lowell's narrow profile 15W Unihorn Model LUH-15T may be used with grille Model WB-8 and backbox Model CP84.

Tile Bridge & Rail Details

LBS8-CP	23.75"L	Round opening - designed specifically to accept flange on CP8 Series.
SS-24	23.75"L	Channel rails (pair)
SS-30	30"L	Channel rails (pair)

