

Small Format Mixers

XENYX UFX1604

Premium 16-Channel Mixer with XENYX Mic Preamps, Compressors, British EQs, 24-Bit FX, 16 x 4 USB/FireWire Interface & 16-Track USB-Recorder

- The most flexible Premium ultra-low noise, high headroom analog mixer with dual multi-channel audio interface & multi-track recorder
- Built-in 16 x 4 I/O universal USB/FireWire audio interface with up to 24-Bit/96 kHz resolution and ultra-versatile routing options
- Built-in multi-track recorder - to record instantly up to 16 channels of uncompressed WAV files to any USB device without the need of a computer
- 2 Studio-reference FX processors with 16 editable presets including reverb, chorus, flanger, delay, pitch shifter, multi-effects and Tap function
- 8 state-of-the-art, phantom-powered XENYX Mic Preamps
- 8 studio-grade compressors with super-easy "one-knob" functionality
- 8 neo-classic "British" 4-band EQs with 2 semi-parametric mid-bands
- 4 neo-classic "British" 4-band EQs on stereo channels
- Comprehensive Monitor Section with Separate Level Control for Speakers and Dual Headphones



Boasting a stellar feature set that includes our premium-grade XENYX mic preamps, "one-knob" compressors, British EQs and 24-bit onboard FX, the new BEHRINGER UFX1604 is one of the best-sounding compact mixers you've ever heard. But the UFX1604 is light-years beyond your average mixer, thanks to its built-in 16 x 4 USB/FireWire Interface and 16-Track USB-Recorder. Imagine being able to record your next live gig directly to a USB stick or even straight to your PC/Mac computer—and the UFX1604's transport section can function as a remote control center for your computer-based DAW via MIDI.

Extreme versatility

From input to output, the UFX1604 is all about functionality, ease of use and ultimate versatility. Mono channels feature our legendary XENYX mic preamps, praised the world over by professional audio engineers for their sonic clarity and high-headroom performance. Channels 1 - 8 accept both balanced XLR and ¼" TRS, as well as unbalanced ¼" TS connections. A Line/Hi-Z switch is provided on channels 1 & 2 so you can connect acoustic, electric and bass guitars without the need for an external DI box. Mono channel EQ is our highly musical "British" 4-band with

Continued on next page



XENYX UFX1604

- Long-wearing 100-mm logarithmic-taper faders on all channels and sealed rotary controls
- 2 Hi-Z inputs, 8 channel inserts, doubled headphones outputs, balanced MAIN outputs (XLR and jack) for all kind of professional demands
- 4 Aux Sends per channel - all pre/post-fader switchable, 4 stereo returns plus CD/Tape input
- Software DVD with 150+ VST Plug-Ins, Audio Editor, Podcasting Software
- Built-in talkback section with internal microphone, routing switches and large "TALK" button
- 2 subgroups with separate outputs for added routing flexibility
- Each channel with dedicated level meter, and backlit SOLO and MUTE buttons
- Large transport section to remote control your DAW on PC/Mac via MIDI commands
- Internal "Planet Earth" auto-range power supply for worldwide use (100 – 240 V~)
- 19-inch rack mount kit included
- High-quality components and exceptionally rugged construction ensure long life
- Conceived and designed by BEHRINGER Germany

individually sweepable Hi and Low Mids, complete with bypass switch per channel. True +48 V phantom power is available (and individually switchable) for all mono channel strips—a feature virtually unheard of on a mixer in this class!

Stereo channels support balanced and unbalanced ¼" Line connections and our 4-band "British" EQs are provided for tonal adjustment. All channels feature four Aux Sends, switchable Pre/Post FireWire Sends, Mute/Alt 3-4 functionality and super-smooth, long-wearing 100 mm logarithmic-taper faders.

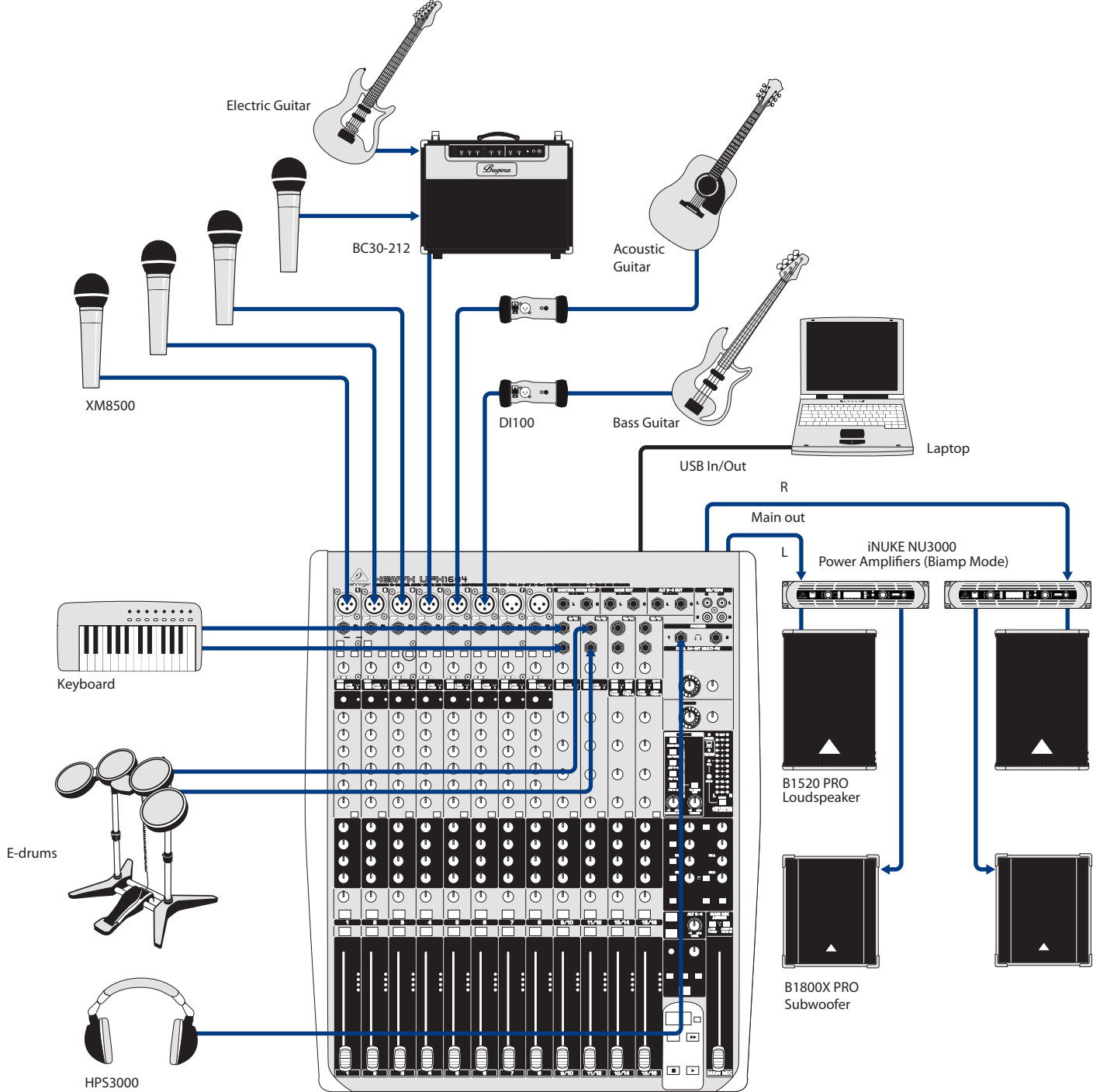
FX and functionality

We also gave the UFX1604 not one, but two robust 24-bit stereo FX processors with 16 editable presets including reverb, chorus, flanger, delay, phaser, multi-effects and Tap function. Add to this an extensive Talkback section with onboard Mic; mono channel Inserts; four stereo Aux Returns; a plethora of output options; and a massive software bundle that includes 150+ VST Plug-Ins, and more—and you've got the incredible new XENYX UFX1604!



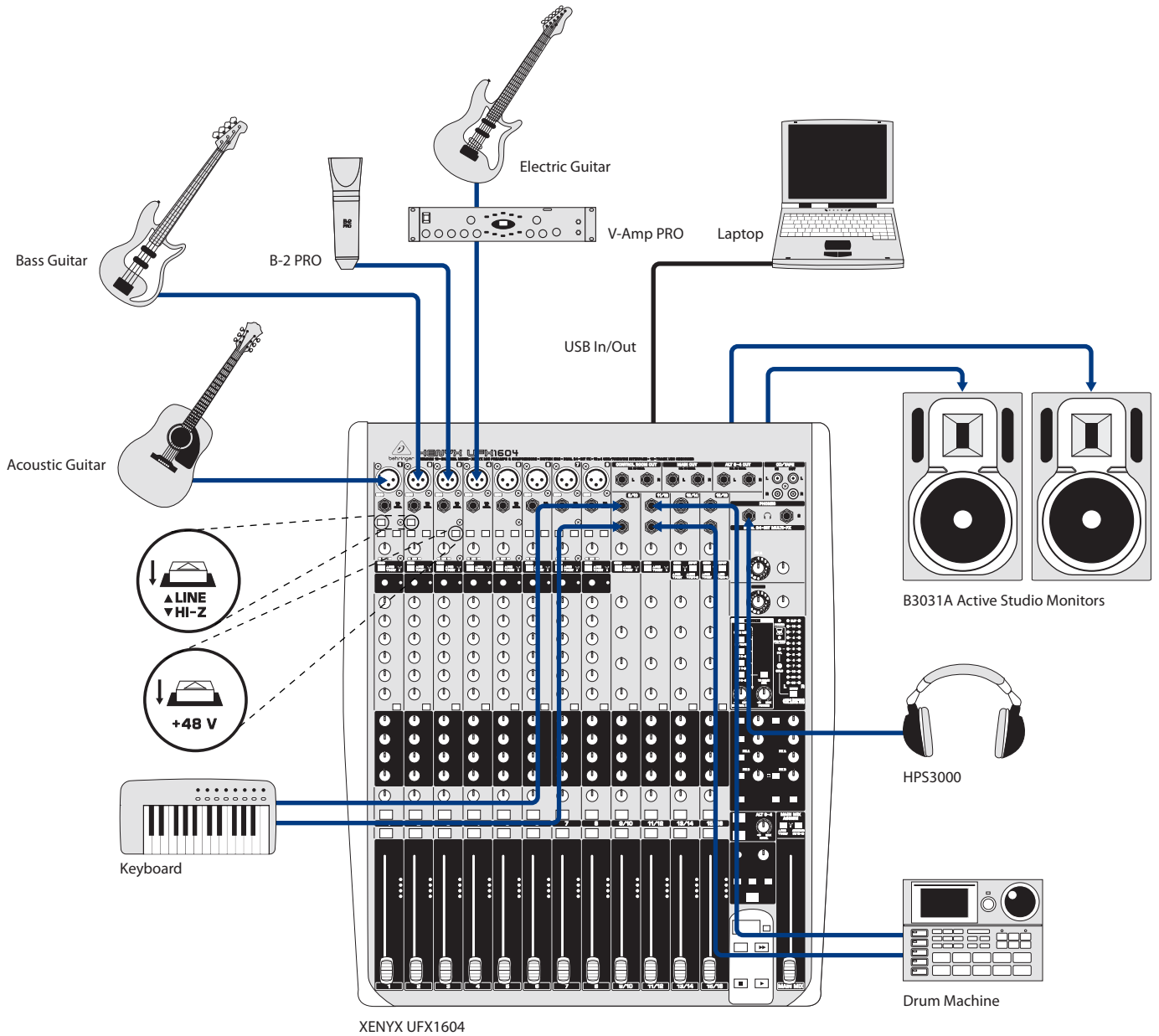
XENYX UFX1604

UFX1604 Live Performance Setup



XENYX UFX1604

UFX1604 Recording Setup



For service, support or more information contact the BEHRINGER location nearest you:

Europe Tel.: +49 2154 9206 4149
 Fax: +49 2154 9206 4199

USA/Canada Tel.: +1 425 672 0816
 Fax: +1 425 673 7647

Singapore Tel.: +65 6845 1800
 Fax: +65 6214 0275

Australia Tel.: +61 03 9877 7170
 Fax: +61 03 9877 7870

Japan Tel.: +81 3 5281 1180
 Fax: +81 3 5281 1181

©2011 Red Chip Company Ltd. Technical specifications and appearance subject to change without notice. The information contained herein is correct at the time of printing. All trademarks are the property of their respective owners. BEHRINGER accepts no liability for any loss which may be suffered by any person who relies either wholly or in part upon any description, photograph or statement contained herein. 985-10000-00482