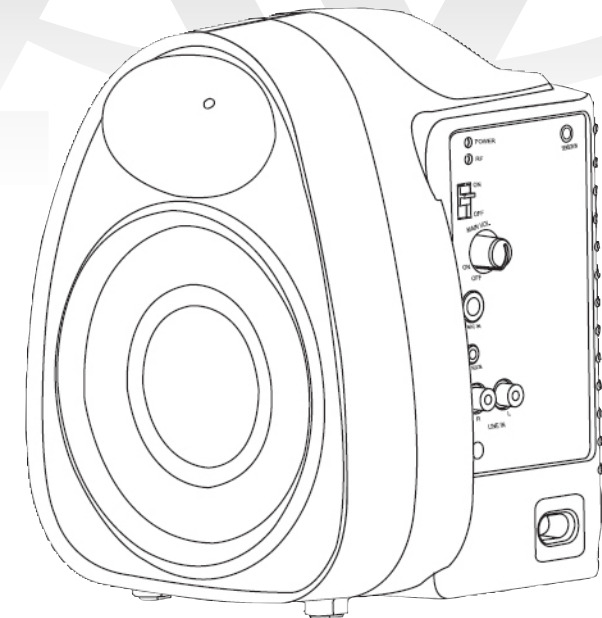




INFRARED COMPAC PA SYSTEM



Amplivox Sound Systems LLC.
3995 Commercial Ave.
Northbrook, IL 60062
800-267-5486



===== **USERS MANUAL** =====

CONTENTS

Table of Contents

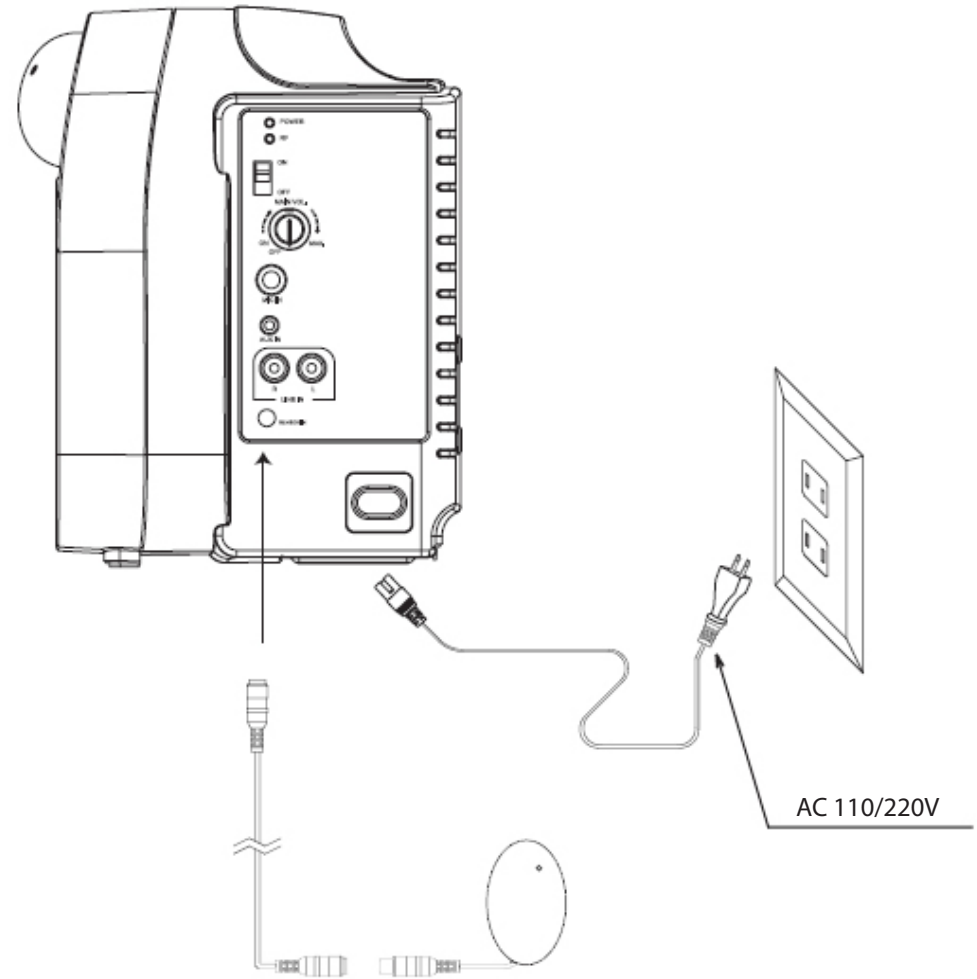
Main Unit-----	1
Installation of Additional Infrared Sensor-----	2
Instructions for Charging Main Unit-----	3
Warnings-----	4
Setup of Main Unit-----	5

Should you need any assistance please call 800-267-5486. To register your product for warranty and support please visit <http://www.ampli.com/support.htm> or submit warranty registration card to...

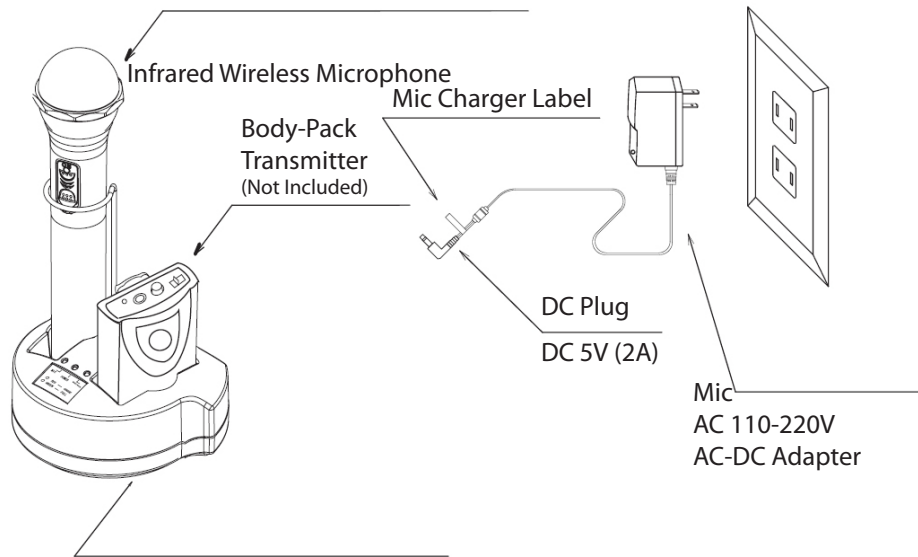
AmpliVox Sound Systems
3995 Commercial Ave.
Northbrook, IL 60062

1 Year Limited Warranty on manufacturer's defect only. This does not cover accidental damage or abnormal operating/storage conditions such as extreme heat or cold or excessive moisture. Please contact the manufacturer (information above) for service or replacement. Warranty is considered null and void should the product case be opened or appear tampered with.

Setup of Main Unit



Warnings



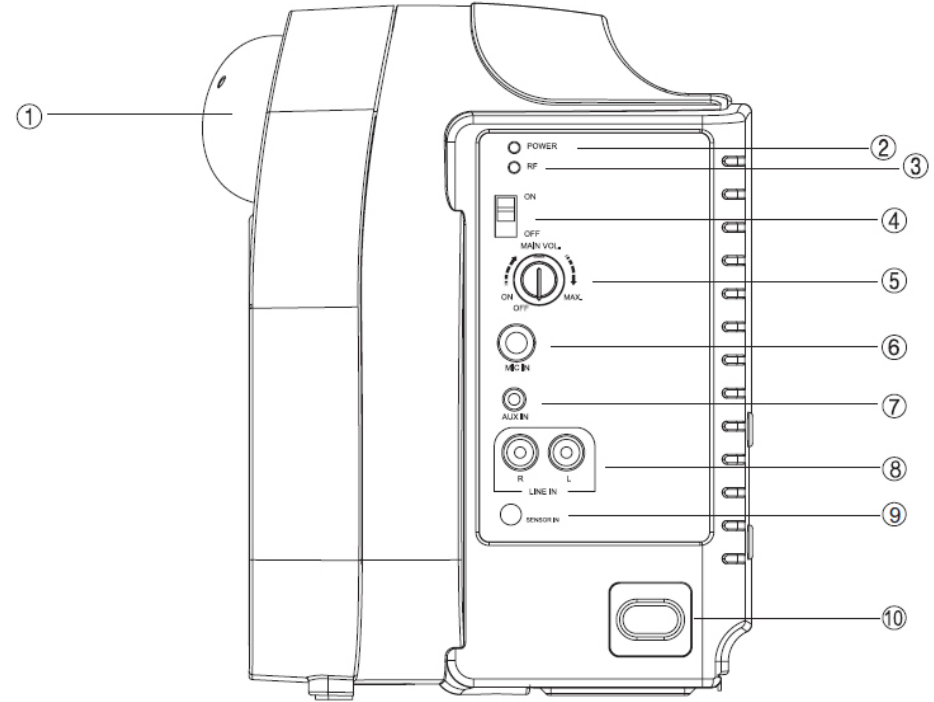
recommended and can cause damage. Such damage is not covered under the warranty.

3. Insert handheld microphone into battery charger. Make sure it is firmly inserted. Takes about 2.5 hours for a full charge.

CAUTION

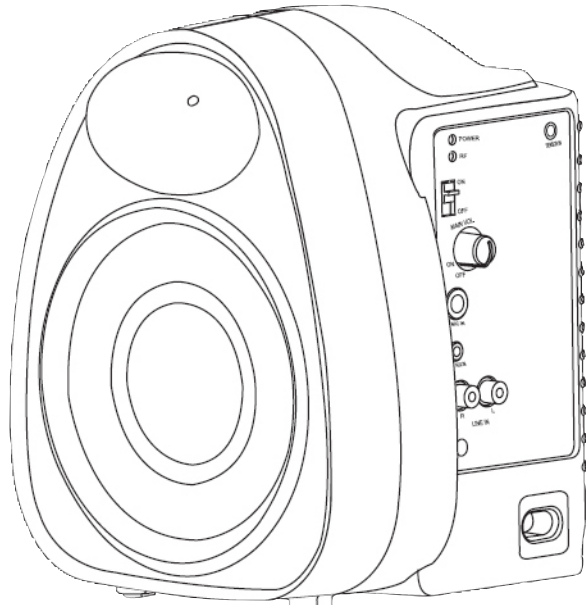
1. Turn microphone unit off when charging.
2. Insert microphone into unit vertically. Do not insert forcefully or damage may occur. The unit has not been correctly inserted if indicator does not light up.
3. Do not use any other type battery than the supplied nickle hydrogen type. Other batteries may be used to replace, but they must be nickle hydrogen batteries or damage and poor charging ability may occur. We are not responsible for damage resulting from any other batteries being used including fire, injury or any other liability.
4. When microphone battery indicator shows the charge is empty (shows red) please charge as soon as possible to extend the life of the battery. When microphone battery voltage is low, the result is often that the sound cuts in and out, distortion is present or wireless signal is week.
5. Do not submerge, or sprinkle with water or other liquids. Do not attach battery leads with conductive materials. Damage will likely occur.

Main Unit

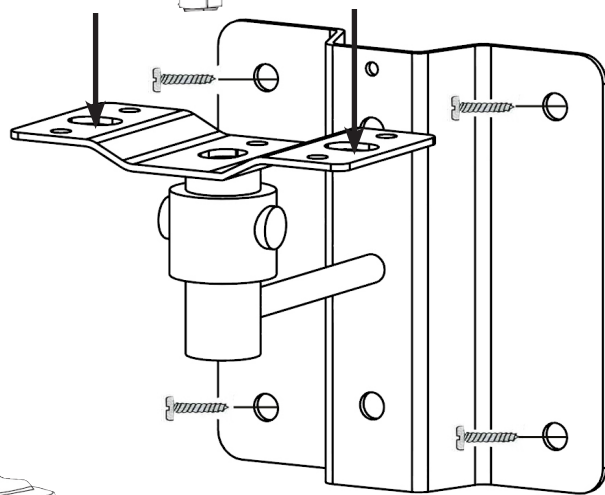


1. Infrared sensor
2. Power Status LED.
3. Wireless (RF=Radio Frequency) Signal Indicator: This LED indicates when Wireless (RF) signal is received from transmitter.
4. Power : On/Off
5. Wireless receiver module power switch and volume control.
6. 1.8"/3.5mm audio input jack. (For USB/iPod/MP3/ CD/DVD/ Cassette and other similar devices. Adapters from nearly any audio source to 1/8"/3.5mm are available at Audio Stores)
7. 1/8"/3.5mm mixer output jack. (For Recording or for use with external speaker systems)
8. Line in R/L - RCA Connectors (standard connectors for home audio devices)
9. Sensor terminal: Infrared sensor unit plugs in here.
10. Power Cord terminal: plug appropriate end of AC wire into here and other end into wall socket for recharging the battery.

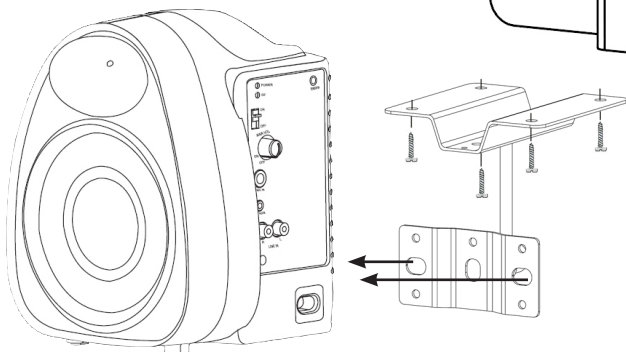
Installation of Additional Infrared Sensor



Screw four screws into wall
Then attach IR285 at Base

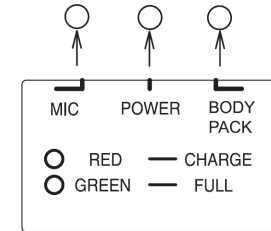
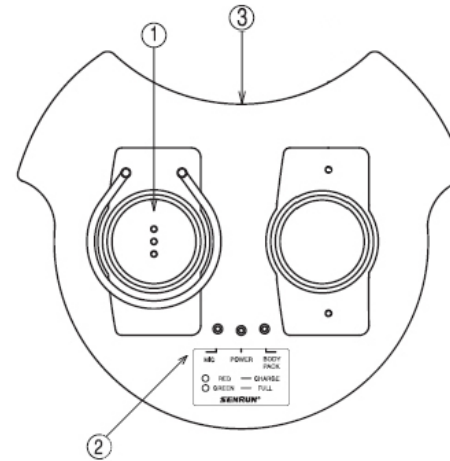


Or Mount On Ceiling



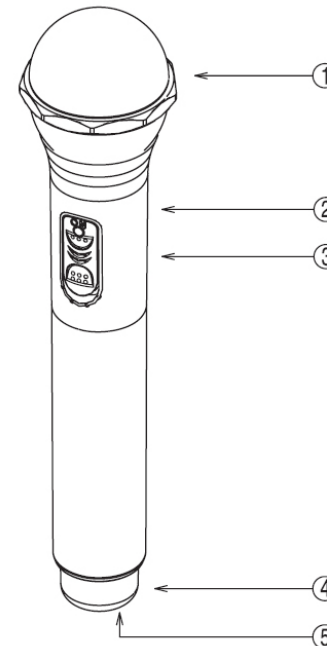
Instructions on Charging Main Unit

1. Microphone and Charging terminal (Adjacent charging area for optional equipment not included. Call to special order)
2. Indicator: Mic | Power | Body Pack (not used) Mic is for handheld mic charging status.
3. DC Jack Microphone AC/DC adapter DC5V 2A



Mic/Body Pack Indicators-
Red: Battery Charging
Green: Battery fully Charged

Power Indicator
The Power is On if Power indicator is red



1. Microphone Head
2. Power On/Battery Charge Indicator
Red: Battery Empty
Orange: Voltage Low
Green: Fully Charged
3. Mic Power Switch
4. Infrared Transmitter
5. Charging Terminal