

SONY

INSTALLATION MANUAL



SFM3

Sony Electronics, Inc.
16540 West Bernardo Drive
San Diego, CA 92127
www.sony.com

SONY

Table of Contents

WARNING STATEMENTS	- 3 -
PARTS LIST	- 4 -
INSTALLATION TOOLS	- 4 -
FLAT PANEL MOUNT LOCATION	- 5 -
MOUNTING BRACKET POSITIONING	- 6 -
GRIPLATE™	- 7 -
WOOD STUD LOCATION	- 8 -
SECURING THE WALL PLATE TO THE WOODEN STUDS	- 9 -
SECURING THE WALL PLATE TO A CONCRETE WALL	- 10 -
SECURING THE FLAT PANEL TO THE WALL MOUNT	- 11 -
LATERAL SHIFT ADJUSTMENT	- 11 -
CSL1 SECURITY CABLE	- 12 -
TECHNICAL SPECIFICATIONS	- 13 -
WARRANTY	- 14 -
CUSTOMER SUPPORT	- 14 -
NOTES	- 14 -

Warning Statements

WARNING: THE WALL STRUCTURE MUST BE CAPABLE OF SUPPORTING AT LEAST FIVE (5) TIMES THE WEIGHT OF THE DISPLAY. IF NOT, THE WALL STRUCTURE MUST BE REINFORCED. PROPER INSTALLATION PROCEDURE BY A QUALIFIED SERVICE TECHNICIAN, AS OUTLINED IN THE INSTALLATION INSTRUCTIONS, MUST BE ADHERED TO. FAILURE TO DO SO COULD RESULT IN SERIOUS PERSONAL INJURY, OR EVEN DEATH.

WARNING: SAFETY MEASURES MUST BE PRACTICED AT ALL TIMES DURING THE INSTALLATION OF THIS PRODUCT. USE PROPER SAFETY GEAR AND TOOLS FOR THE INSTALLATION PROCEDURE TO PREVENT PERSONAL INJURY.

WARNING: PRIOR TO THE INSTALLATION OF THIS PRODUCT, THE INSTALLATION INSTRUCTIONS SHOULD BE READ AND COMPLETELY UNDERSTOOD. THE INSTALLATION INSTRUCTIONS MUST BE READ TO PREVENT PERSONAL INJURY AND PROPERTY DAMAGE. KEEP THESE INSTALLATION INSTRUCTIONS IN AN EASILY ACCESSIBLE LOCATION FOR FUTURE REFERENCE.



Indicates that the power plug is to be disconnected from the power outlet.



Contact Sony Electronics with any questions.



Safety precautions must be taken at all times.



Warning and Caution statements.



Do not install on a structure that is prone to vibration, movement or chance of impact. Failure to do so could result in damage to the display and/or damage to the mounting surface.



Do not install near heater, fireplace, direct sunlight, air conditioning or any other source of direct heat energy. Failure to do so may result in damage to the display and could increase the risk of fire.



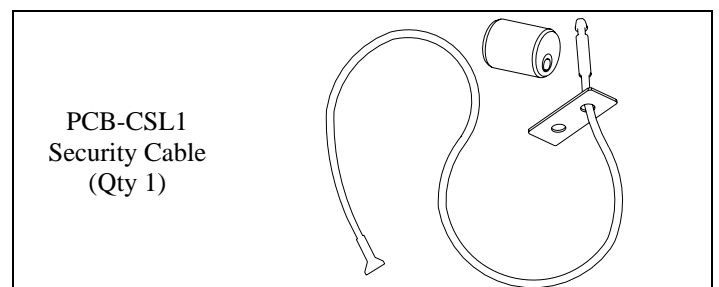
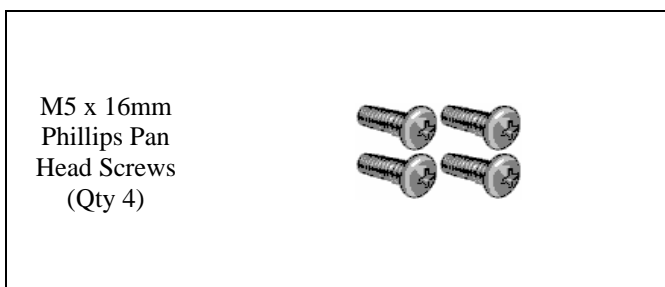
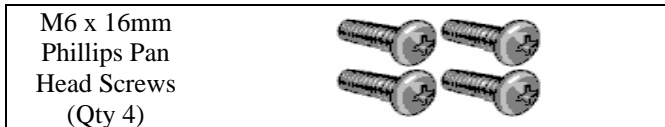
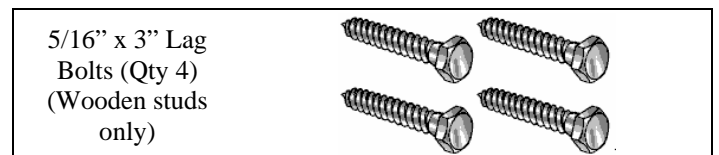
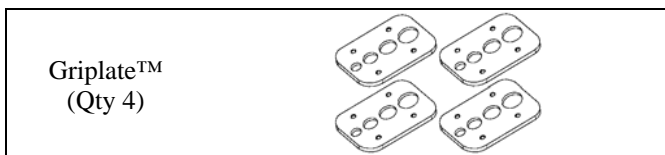
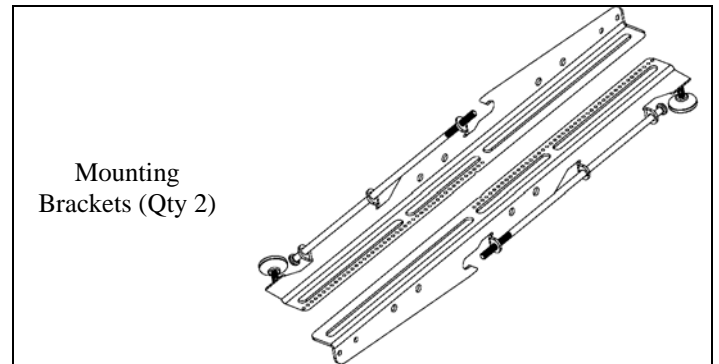
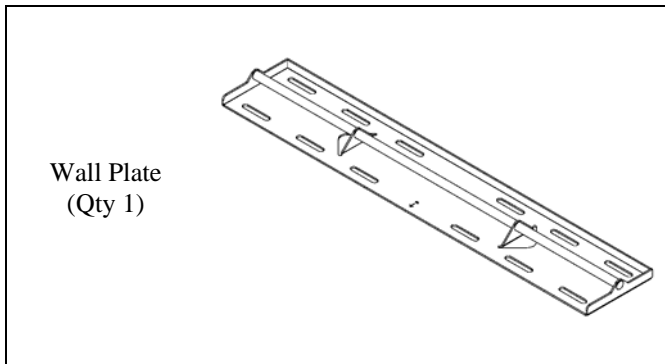
At least two qualified people should perform the installation procedure. Injury and/or damage can result from dropping or mishandling the plasma display.



Recommended mounting surfaces: wooden studs and solid-flat concrete. If the mount is to be installed on any surface other than wooden studs, use suitable hardware (which is commercially available).

Parts List

NOTE: This wall mount is shipped with all proper installation hardware and components. Make sure that none of these parts are missing and/or damaged before beginning installation. If there are parts missing and/or damaged, please stop the installation and contact Sony Electronics (877) 350-3477.



Installation Tools

Phillips Head Screw Driver
Soft Material/ Blanket
Socket

Portable Drill
Pencil

1/4" Drill Bit
Tape Measure

Level (Supplied)
Wrench with 1/2" Drive

Flat Panel Mount Location

WARNING: INVERT THE FLAT PANEL. PLACE IT ON A SOFT, FLAT SURFACE TO PREVENT DAMAGE TO THE FLAT PANEL. USE A BLANKET, FOAM, ETC. FAILURE TO DO SO WILL RESULT IN DAMAGING THE FLAT PANEL. DO NOT LAY THE FLAT PANEL ON THE FLOOR WITHOUT ANY PROTECTION TO THE GLASS. THE FLAT PANEL IS HEAVY AND FRAGILE. AT LEAST (2) QUALIFIED PERSONNEL ARE STRONGLY RECOMMENDED FOR INSTALLATION OF THIS PRODUCT. FAILURE TO DO SO COULD RESULT IN SERIOUS INJURY AND POSSIBLE DAMAGE TO THE FLAT PANEL.

1. Once the flat panel is inverted, use a measuring tape to find the center of your flat panel measuring from outside to outside of the chassis (Figure 1).
2. Using a pencil lightly mark the center of your flat panel (Figure 2).

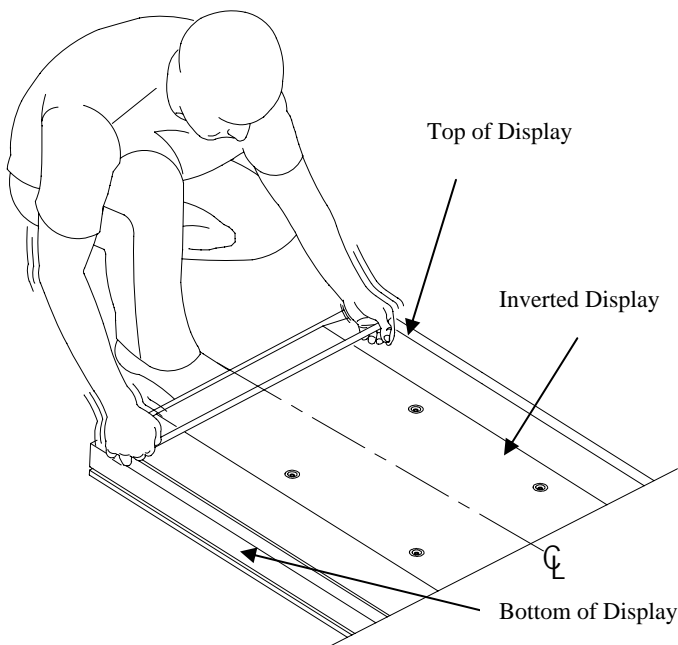


Figure 1. Flat Panel Mount Location

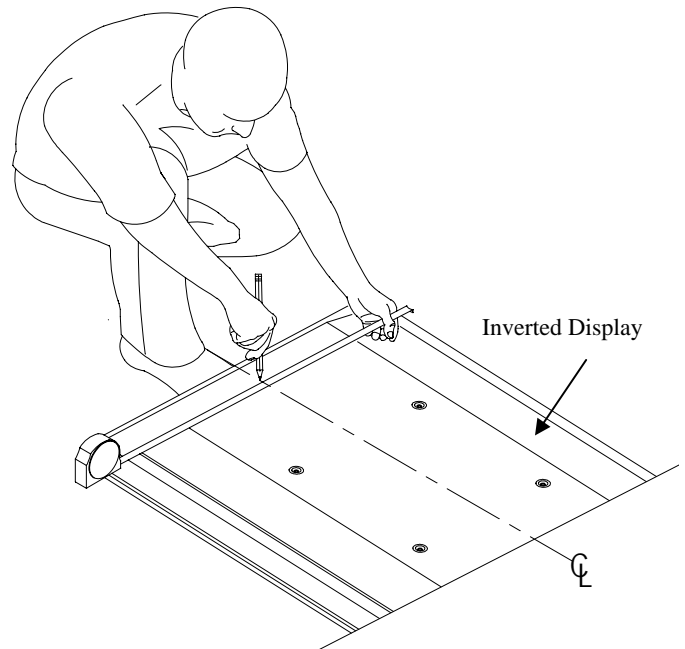


Figure 2. Marking the Display

Mounting Bracket Positioning

1. Lay the left and right mounting brackets (stamped arrows facing out) (Figure 3).

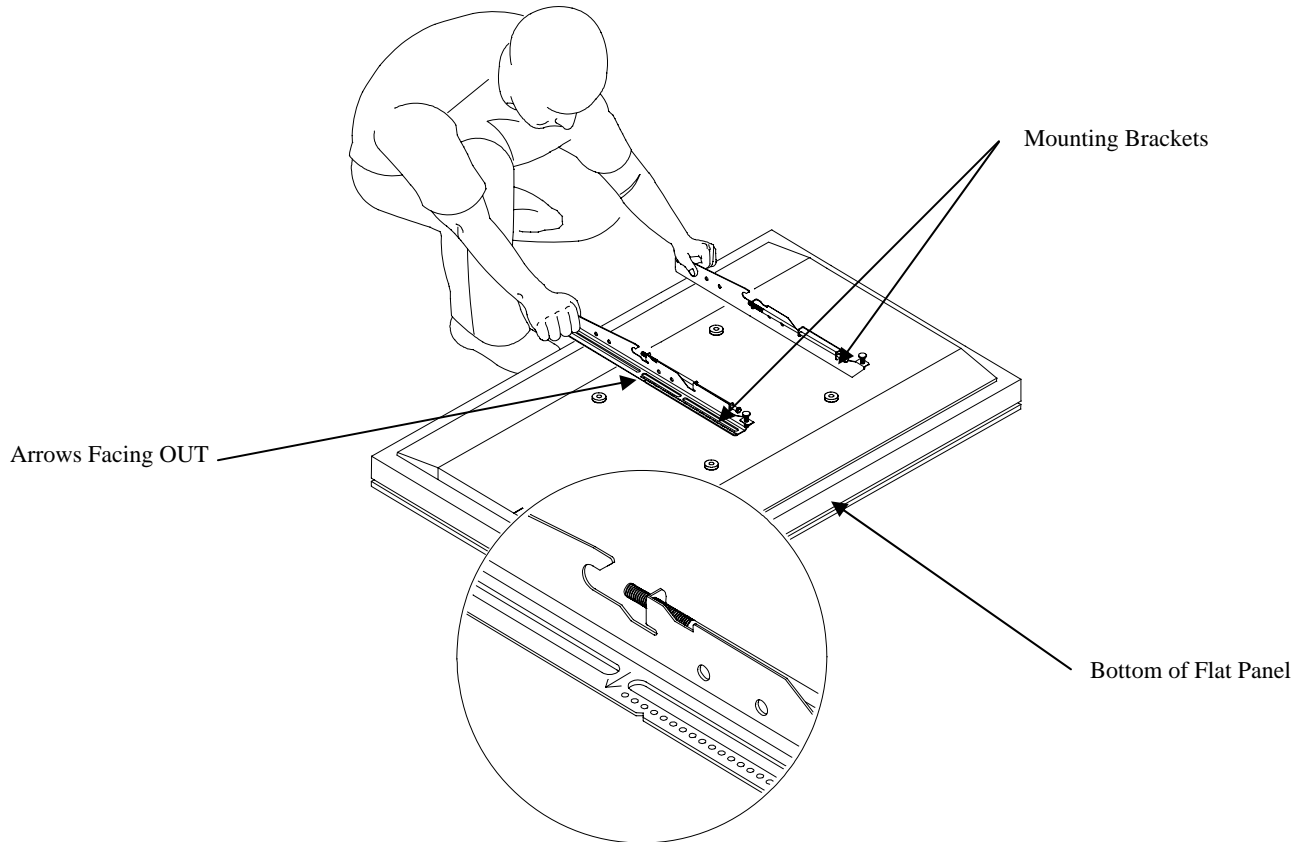


Figure 3. Mounting Bracket Installation

NOTE: The mounting guides are designed with a center viewing guide on the side of them. There will be a “notch” cut on the side of the bracket (Figure 4).

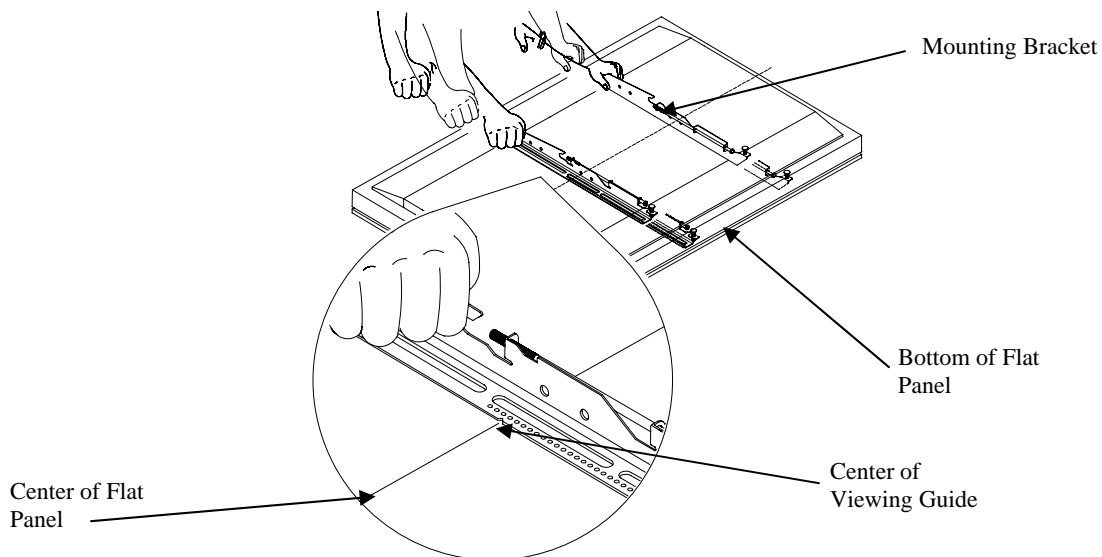


Figure 4. Locating the Center of the Flat Panel

2. Match the center of the viewing guide with the centerline you marked in Step 1 (Figure 4).

Griplate™

1. The Griplate™ have M4, M5, M6 and M8 hole patterns to fit the hardware that the flat panel requires.

Example: If your display uses M8 x 20 Phillips head screws. Use the M8 mounting points (Figure 5).

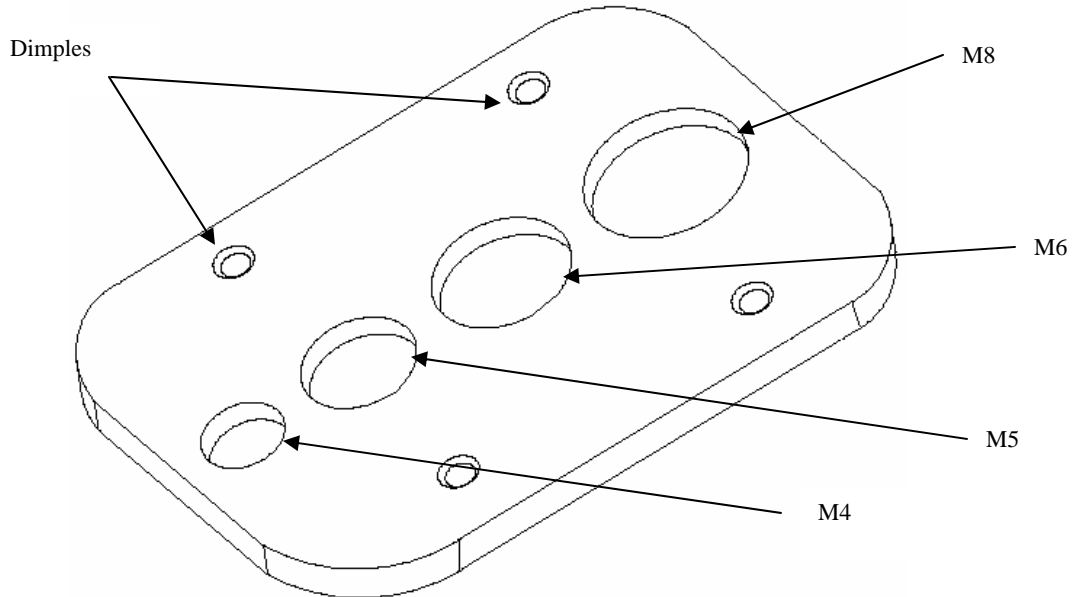


Figure 5. Griplate™ Orientation

2. Once the mounting brackets are aligned, secure the Griplate™ to the flat panel.

NOTE: The dimples of the top plates have to be facing up and the bottom dimples must be facing down. Use (1) Griplate™ per mounting point (Figure 6).

CAUTION: Do not over tighten the mounting hardware.

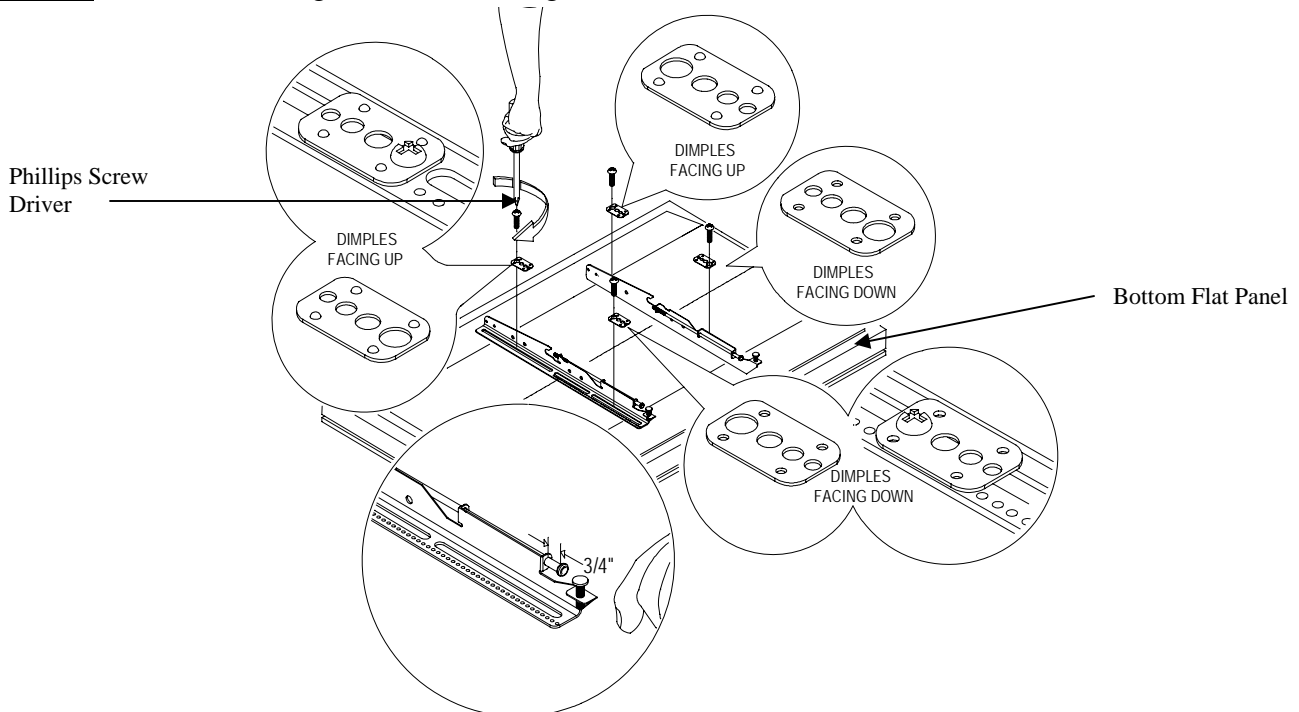


Figure 6. Griplate™ Attachment

Wood Stud Location

1. Using a stud finder, locate the 16" or 24" stud centers behind the wall.
2. Once found, make a pencil mark on the center of the wood studs (Figure 7).

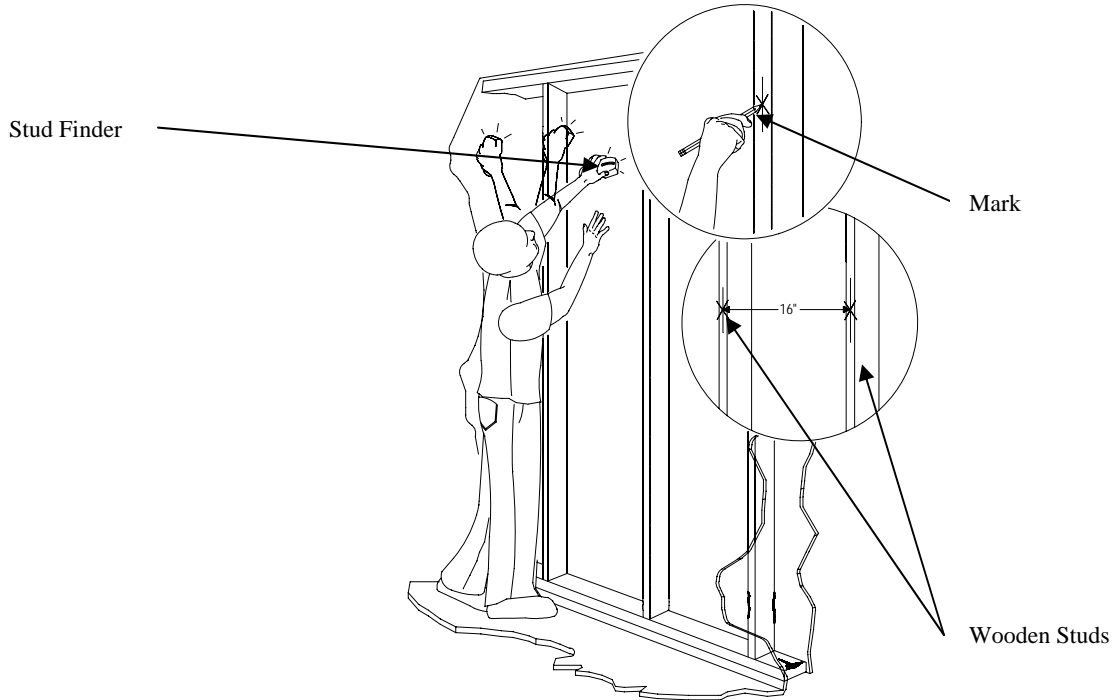


Figure 7. Locating the Wooden Stud

3. Measure from the floor to the desired viewing height and mark the wall (Figure 8).
NOTE: This marking will reference the center of your flat panel display once mounted to the wall.

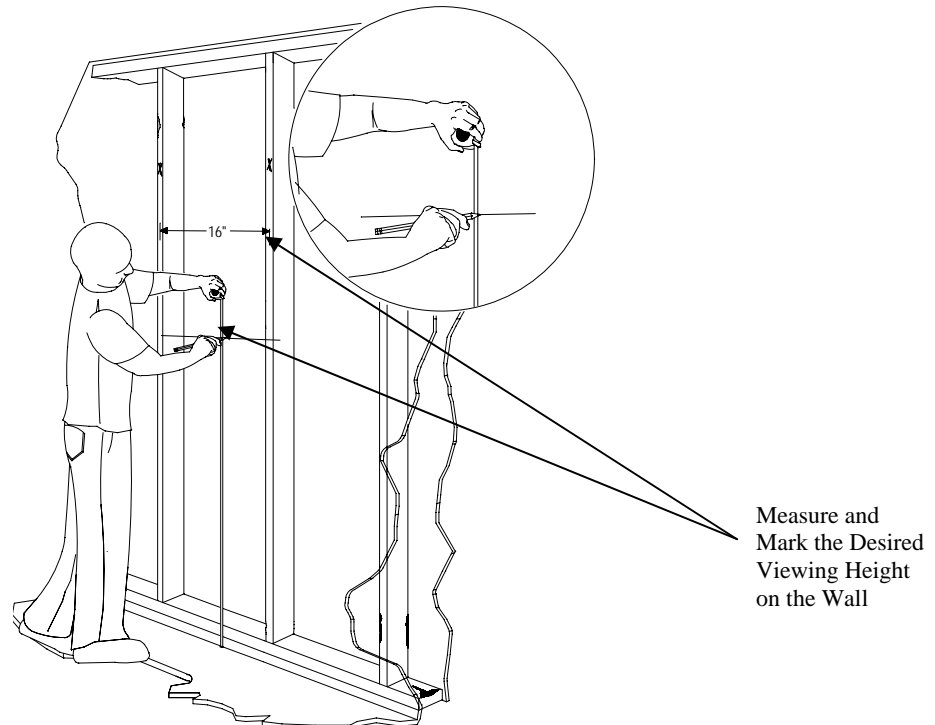


Figure 8. Measuring the Height

4. Use the information below when mounting to the following surfaces (Figure 10):
Wood Studs: Drill four (4) $\frac{1}{4}$ " pilot holes to the marked wall.
Concrete Wall: Drill four (4) $\frac{3}{8}$ " pilot holes to the marked wall

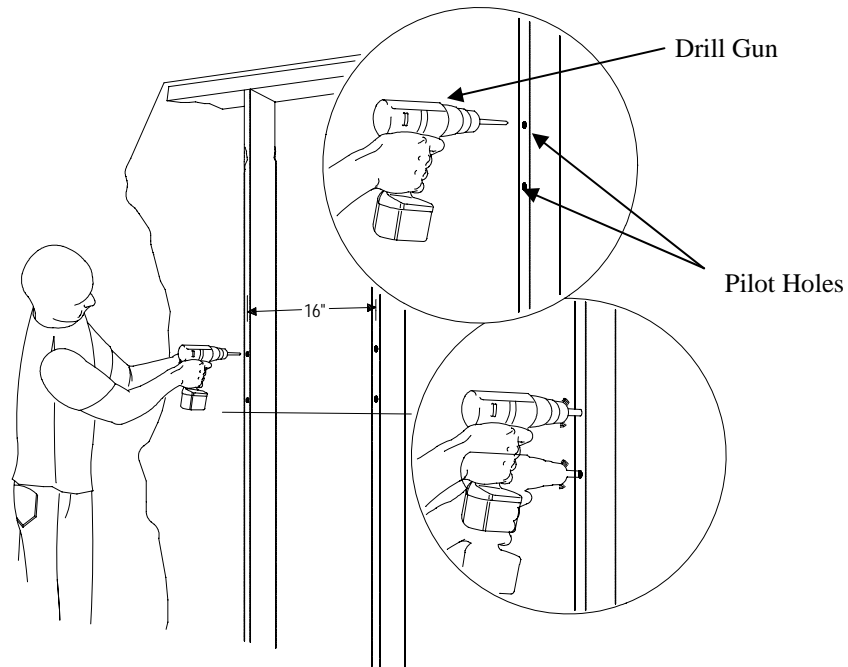


Figure 10. Mounting Surfaces

Securing the Wall Plate to the Wooden Studs

1. Level and secure the plate to the wall with the reference arrow facing up to ceiling.
2. Secure the plate using four (4) $\frac{5}{16}$ " lag bolts and flat washers (Figure 11).

CAUTION: Do not over tighten the lag bolts.

NOTE: The wall plates have three 16" and 12" mounting slot positions.

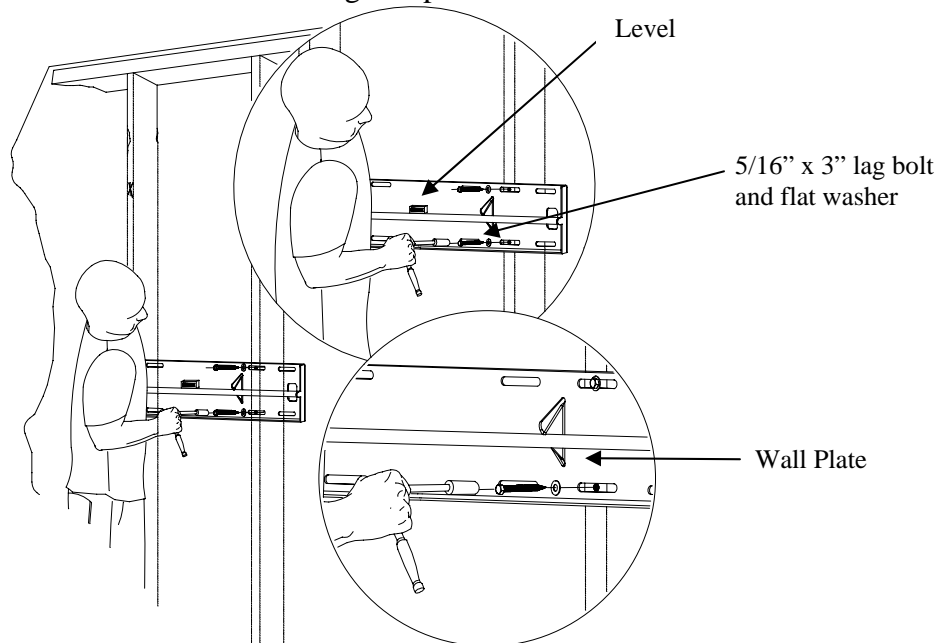


Figure 11. Securing the Wall Plate

Securing the Wall Plate to a Concrete Wall

1. Level and secure the plate to the wall with the reference arrow facing up to the ceiling.
2. Use a minimum diameter of 5/16" x 2 1/4" wedge anchors – commercially available (Figure 12).

CAUTION: Do not over tighten the wedge anchor bolts.

NOTE: Use a minimum diameter of 5/16" x 2 1/4" long wedge anchors.

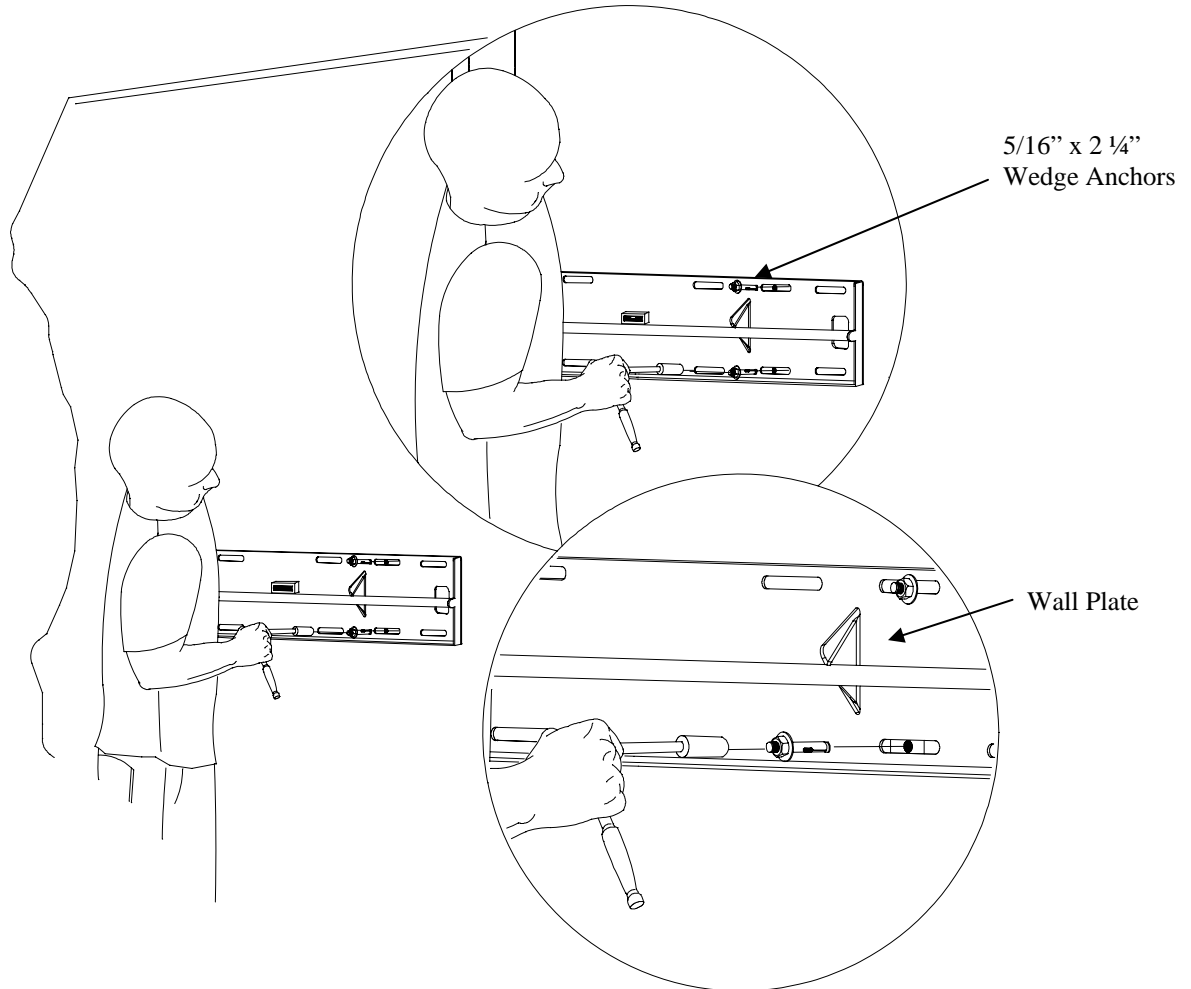


Figure 12. Concrete Installation

Securing the Flat Panel to the Wall Mount

WARNING: At least (2) qualified personnel are strongly recommended for installation of this product. Failure to do so could result in serious injury and possible damage to the flat panel.

1. Raise the flat panel with the mounting brackets secured to the flat panel and insert the top hooks from each bracket to the rod on the wall plate (Figure 13).

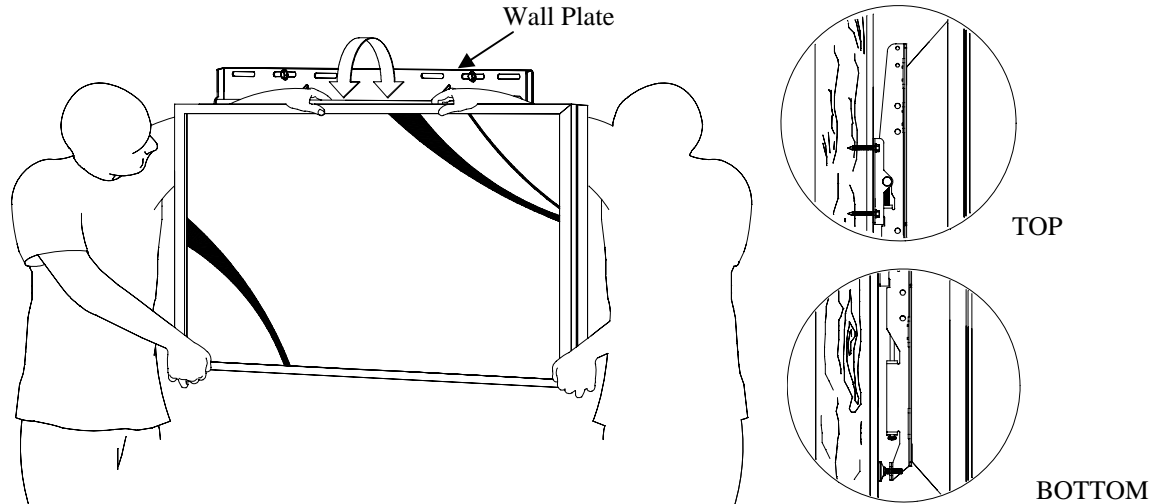


Figure 13. Securing The Flat Panel

Lateral Shift Adjustment

1. Make any lateral shift adjustment and lock it by tightening the two (2) ¼"-20 Phillips screws found on the bottom of the mounting brackets (Figure 14).
2. Use the foot leveler to adjust your plasma.

CAUTION: Do not over tighten the ¼"-20 screws to the rods.

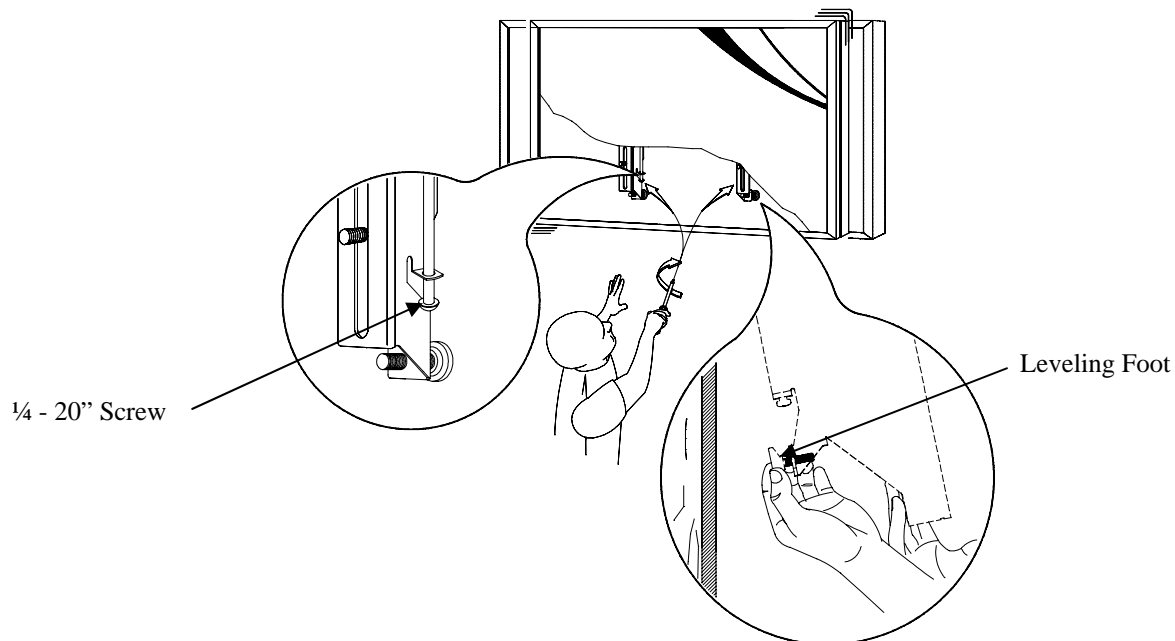
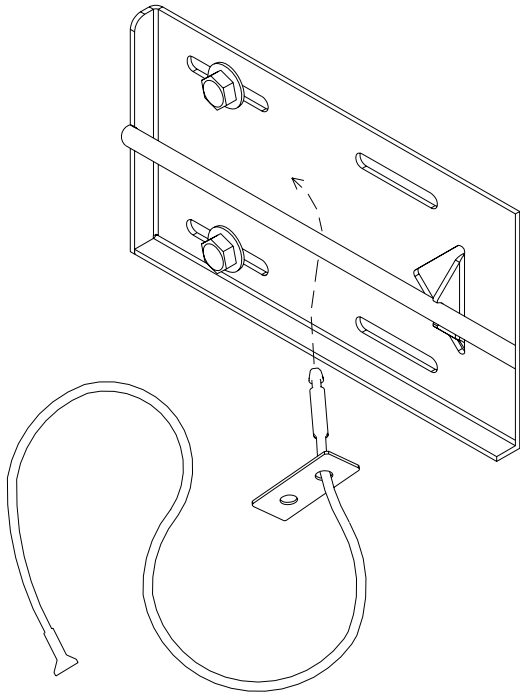


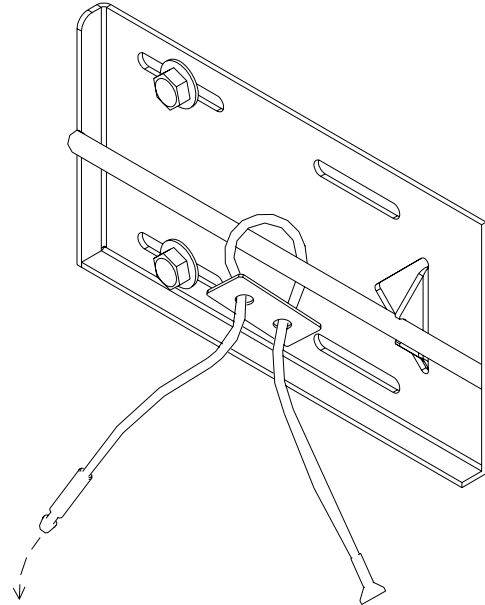
Figure 14. Lateral Shift Adjustment

CSL1 Security Cable

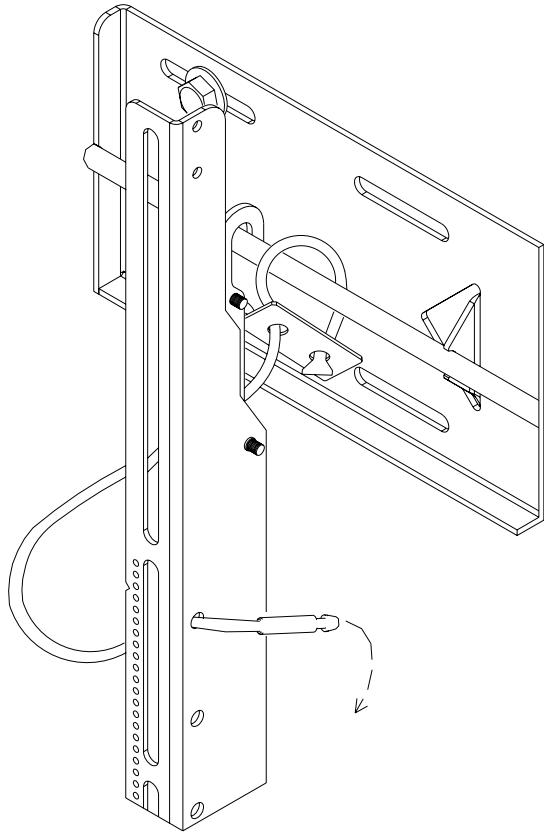
1



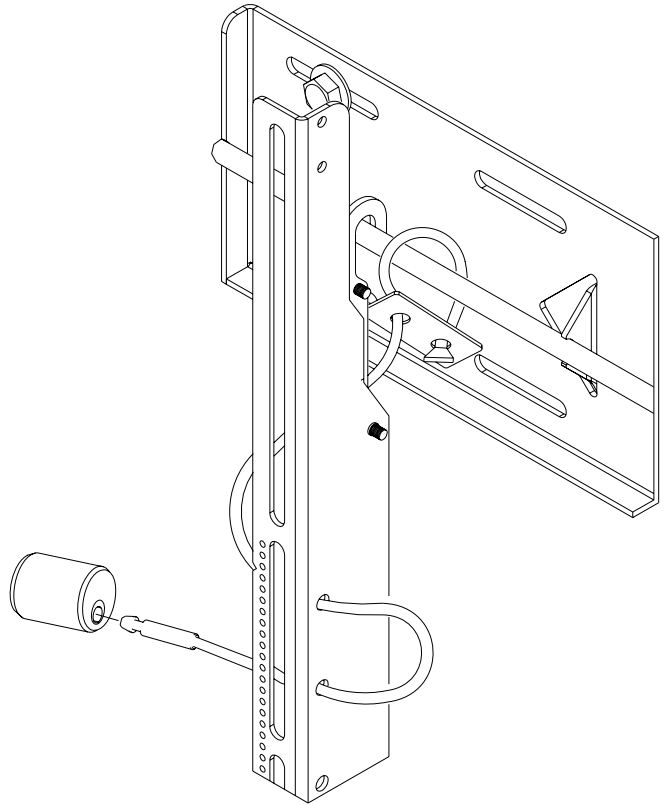
2



3

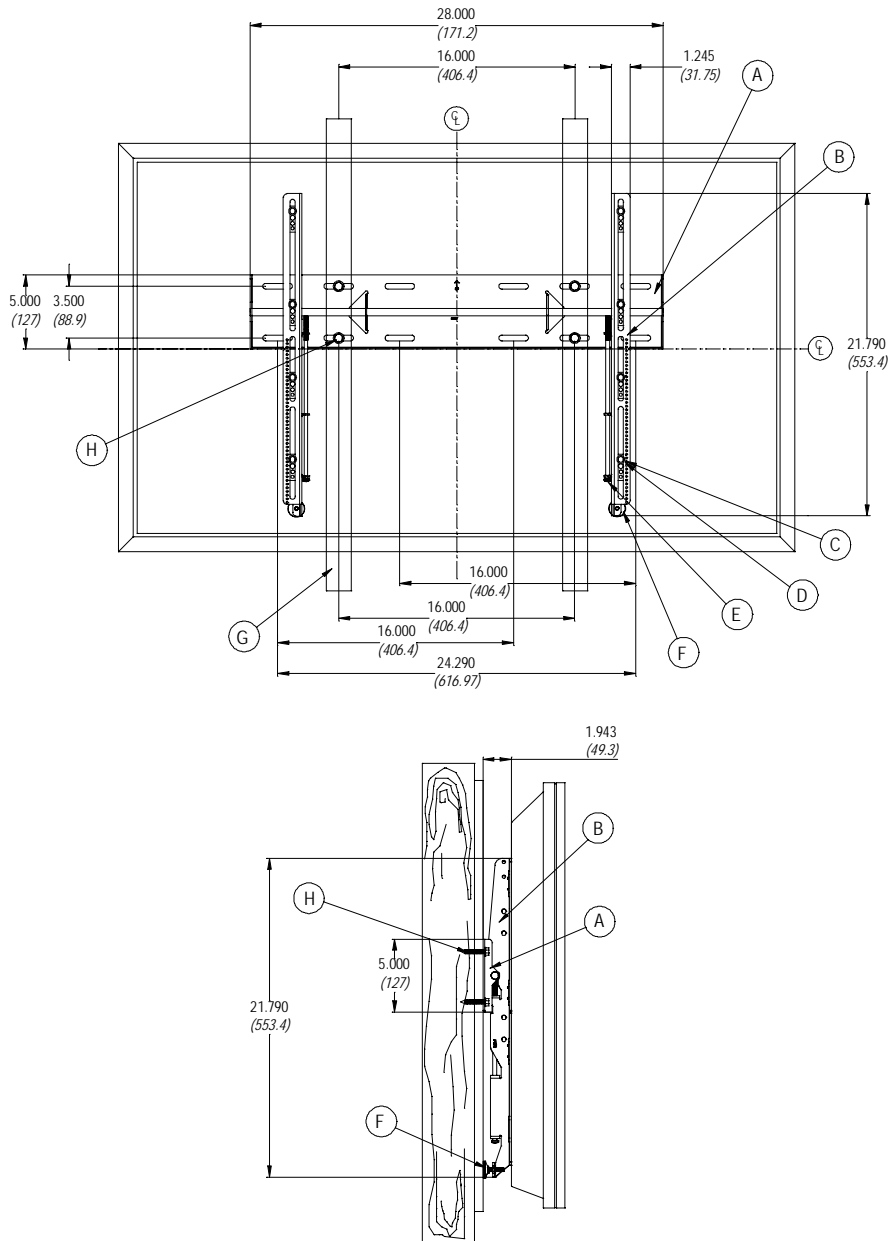


4



Technical Specifications

All measurements are in inches(mm).



- A. Wall plate
- B. Mounting brackets
- C. Griplate™
- D. Mounting hardware
- E. Safety screws
- F. Leveling feet
- G. Wood stud
- H. 5/16" x 3" Lag screws and flat washers

Warranty

Limited Lifetime Warranty

This product carries a limited lifetime warranty from ship date against defects in materials and workmanship. Sony Electronics is not liable for improper installation that results in damage to mounts, adapters, display equipment or personal injury.

Customer Support

In the event of missing and/or damage equipment, or technical questions, the following information can help in the completion of the installation.

Customer Service 877-350-3477

Notes

Sony Electronics, Inc.
16540 West Bernardo Drive
San Diego, CA 92127
(800) 222-7669
www.sony.com