

TANNOY®
arena



owners manual

arena

Contents

3	Contents
3	Warranty
4 - 5	Unpacking List
6 - 7	Dual Concentric™ and WideBand™ Technology
8 - 9	Connections
10 - 11	Positioning
12 - 13	Grille Fixing
14 - 15	Safety Instructions
16 - 17	Positioning and fitting of feet
18 - 19	Setting-up
	Technical Specifications
20 - 21	Subwoofer
22 - 23	Satellites
24 - 26	Optional Accessories

WARRANTY

This home theatre system has been produced and tested with care and precision. It is built to give first class service and carries a 1-year warranty. If the equipment proves to be defective within this period for any reason other than accident, misuse, unauthorised modification or fair wear and tear, Tannoy will repair any such defect or, at our option, replace it without charge for parts, labour or return carriage. This warranty is given in addition to the customer's statutory rights.

If you suspect a problem with your system, please contact your local Tannoy dealer who will be able to advise on appropriate action.

arena

UNPACKING

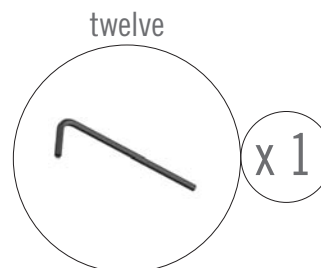
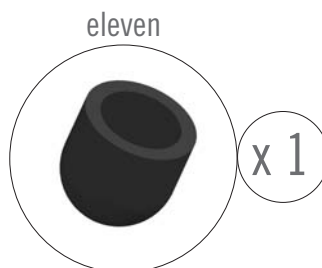
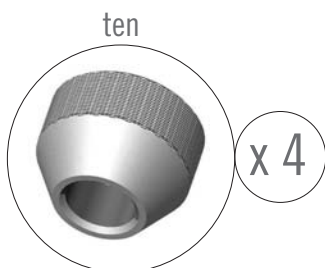
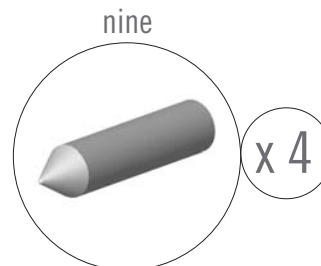
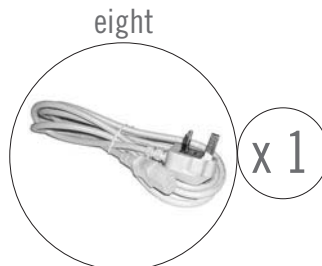
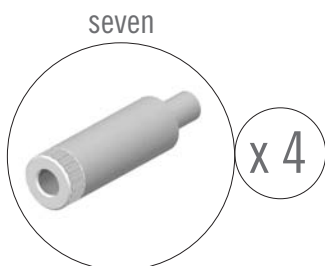
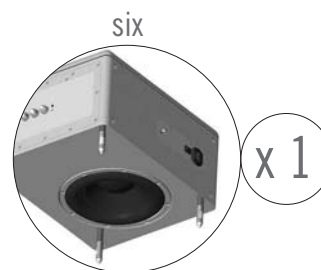
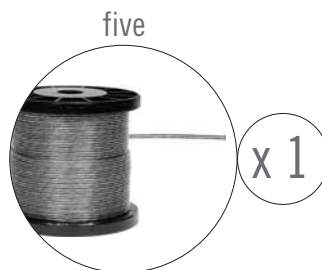
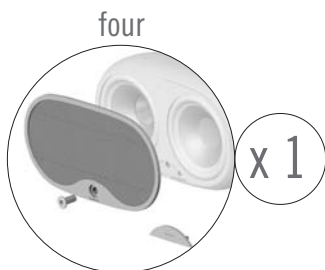
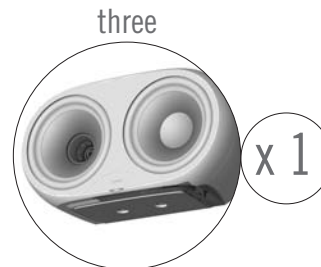
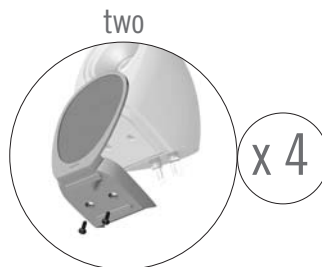
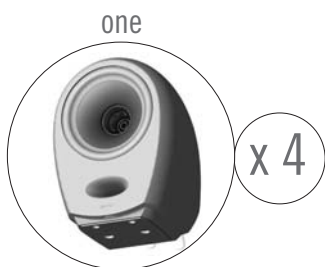
Check the contents of the carton to identify the following items:

one	4 x satellite speakers
two	4 x satellite speaker grilles (with 2 x fixing screws each)
three	1 x centre channel speaker
four	1 x centre channel grille (with Hex fixing screw)
five	20m speaker cable
six	1 x subwoofer
seven	4 x extension legs
eight	1 x mains lead
nine	4 x floor spikes
ten	4 x spike lock nuts
eleven	4 x protection boots (for use on polished wooden floors)
twelve	1 x Hex key

Store complete packaging in case it is needed for re-use.



arena





SATELLITES and CENTRE CHANNEL

DRIVER TECHNOLOGY

Dual Concentric™

Tannoy Dual Concentric™ drivers have been incorporated into the Arena system. Intensive research and development has produced an all-new version of this proven technology that builds upon the legendary performance of this exclusive Tannoy driver design.

The time coherent, point source and constant directivity nature of the dispersion characteristics inherent in the Dual makes it an accepted industry standard in studio monitoring. By exceeding the rigorous demands of the recording and mastering environment Tannoy can ensure that playback performance in the home for multi channel home cinema, is strictly controlled to accurately reflect the sound engineers artistry. In nature all sounds emanate from a single point in space. The high frequency unit of the Dual, centrally mounted in the throat of the main mid/bass driver, is so positioned as to acoustically replicate this single point source; delivering an incredibly natural sound with an incredibly wide imaging 'sweet spot' that creates an expansive soundstage with remarkably focused placement of images.

WIDEBAND™ Technology

Tannoy has incorporated its own WideBand™ technology into the design of these drivers. Not only does this exceptional in-house technology resolve fine detail of high frequency information but it also effectively enhances the listening experience throughout the whole frequency range. The WideBand™ high frequency system creates an increased immediacy, airiness and impact, making music and movie sound more natural and true to life.

Sounds contain transient information and rich harmonics beyond the range of human hearing for pure tones. Even low frequencies have leading edge transients reaching 30kHz. The Tannoy Arena WideBand™ high frequency unit will accurately reproduce the leading edge of individual sounds allowing the listener to experience the entire bandwidth, by extending the frequency response to 54kHz.

In addition, the extension of the frequency response, by fully two octaves, corrects time and phase response within the bandwidth of normal human hearing. Taking these acoustical phase anomalies beyond the audible range adds realism to the soundstage through improvements in imaging and the placement of sounds.

arena



Tannoy Dual Concentric™ drivers have been incorporated into the Arena system.

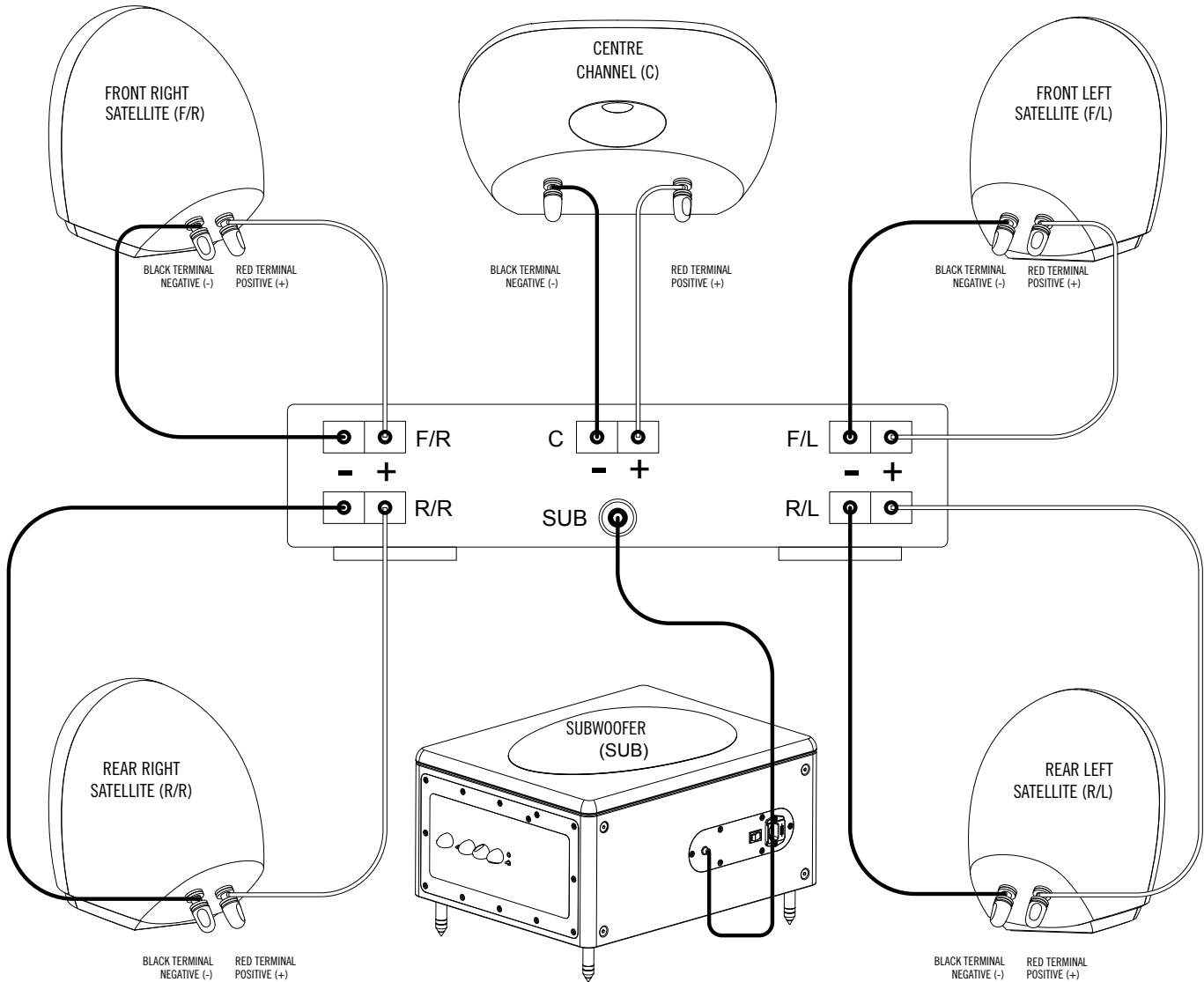


CONNECTIONS

Using the supplied twin core cable, connect each channel to the appropriate output of your AV receiver, observing polarity - positive to positive and negative to negative (or red to red and black to black). The supplied cable has the negative (-) core marked by a black line. If additional cable is required, your dealer will be able to advise on a suitable type.

Additional satellite and centre speakers are available, should you wish to expand your system.

arena



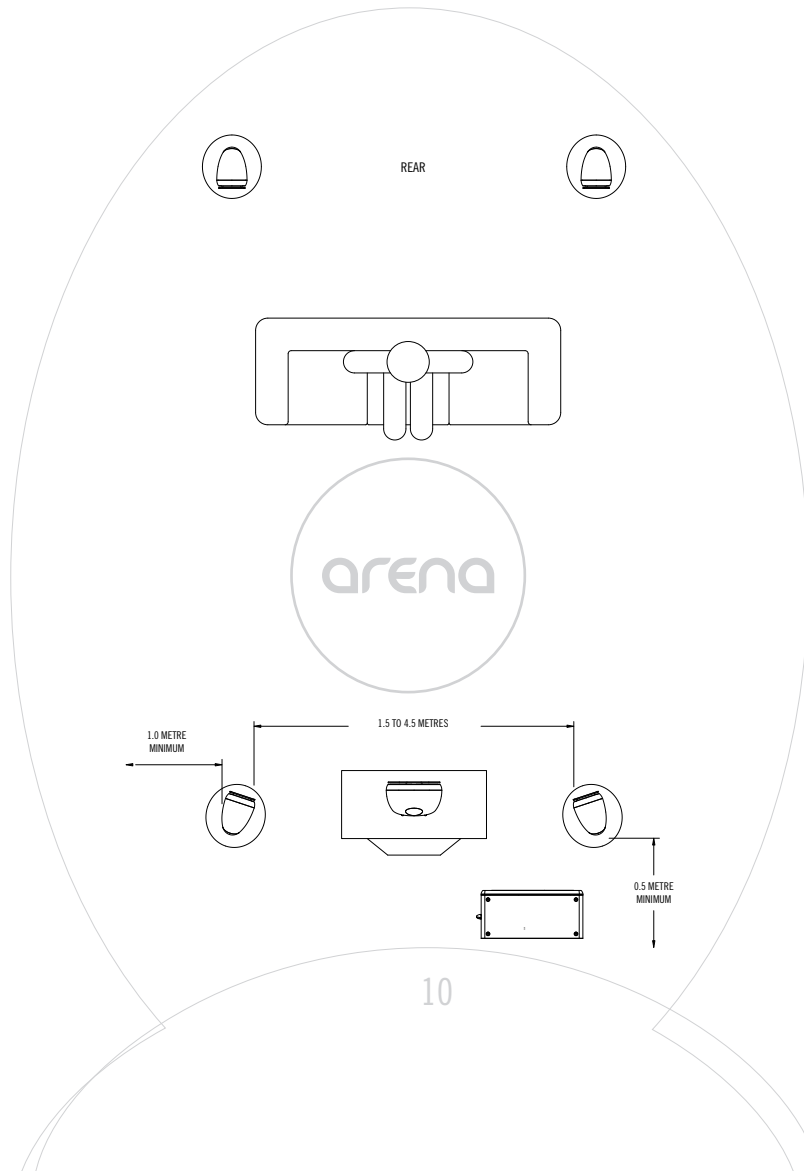
arena

POSITIONING

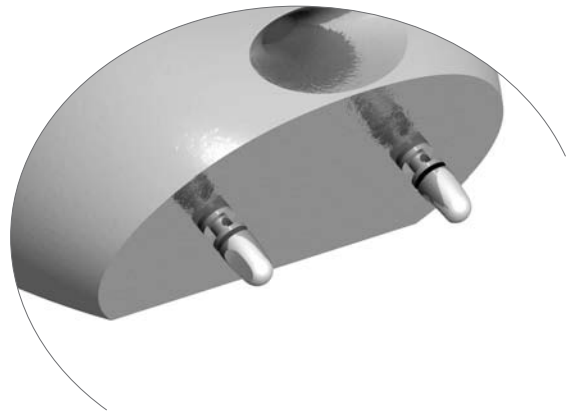
The centre channel may be placed either on top of or below the television or monitor and the front and rear speakers positioned as shown on a suitable table or shelf. All speakers (with the exception of the subwoofer) are magnetically shielded to avoid colour distortion to the television, but as some sets are more sensitive to interference than others, some experimentation in placement may be required, or the use of the optional table stand or wall bracket to space the centre speaker further from the television.

For the satellites, an optional combined table stand and wall bracket is available, along with a floor stand, while a dedicated table stand/ wall bracket is available for the centre channel.

Please consult your authorised Tannoy dealer.



arena



arena

GRILLE FIXING

Fitting of the grilles is optional, using the supplied hardware. On the satellites, fix the grille in place using the 2 screws provided, see illustration. On the centre channel, firstly remove the small trim panel from the front of the speaker, as illustrated. A Hex key is provided for tightening the grille mounting screw, ensure not to over tighten, see illustration.

TRIM REMOVAL

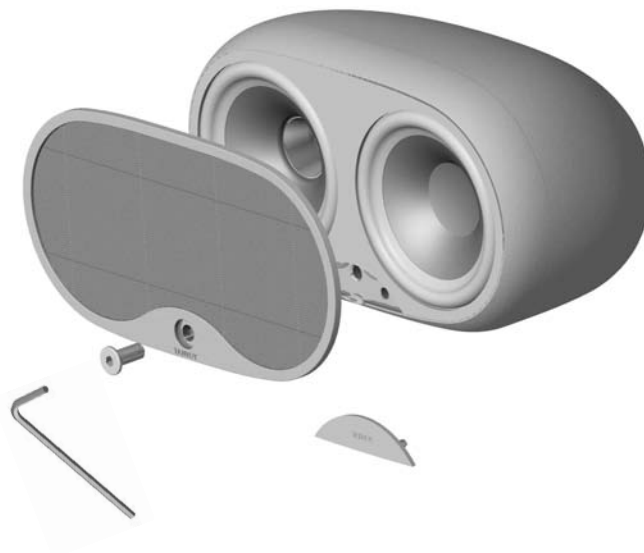
The Arena satellite and centre both have a removable front trim which gives the option of mixing and matching the speaker body colour with any of the optional trim colours. To remove the trim, first remove the grille if fitted as described above. Next, place a finger underneath the bottom centre of the trim and gently prize out the rubber trim. Remove this slowly ensuring that all of the integral fixing studs around the outside of the trim are pulled out gently from the body of the speaker. Replacement of the trim is the exact opposite of the removal process.

CLEANING

Dust the loudspeakers with a dry lint free cloth.

arena

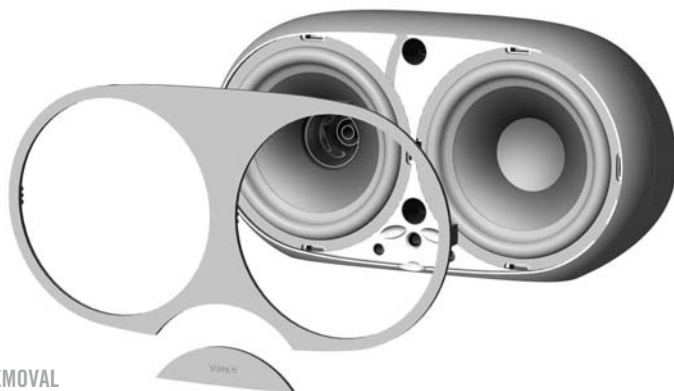
GRILLE FIXING



screwdriver not included



TRIM REMOVAL





IMPORTANT SAFETY INSTRUCTIONS - SUBWOOFER

- 1 Read these instructions.
- 2 Keep these instructions.
- 3 Heed all warnings.
- 4 Follow all instructions.
- 5 Do not use this apparatus near water.
- 6 Clean only with dry cloth.
- 7 Do not block any ventilation openings. Install in accordance with manufacturer's instructions.
- 8 Do not install near any heat sources such as radiators, heat registers, stoves, or other apparatus (including amplifiers) that produce heat.
- 9 Do not defeat the safety purpose of the polarized or grounding-type plug. A polarized plug has two blades with one wider than the other. A grounding type plug has two blades and a third grounding prong. The wide blade or the third prong are provided for your safety. If the provided plug does not fit into your outlet, consult an electrician for replacement of the obsolete outlet.
- 10 Protect the power cord from being walked on or pinched particularly at plugs, wall sockets, and the point where they exit from the apparatus.
- 11 Only use attachments/accessories specified by the manufacturer.
- 12 Unplug this apparatus during lightning storms or when unused for long periods of time.
- 13 Refer all servicing to qualified service personnel. Servicing is required when the apparatus has been damaged in any way, such as power-supply cord or plug is damaged, liquid has been spilled or objects have fallen into the apparatus, the apparatus has been exposed to rain or moisture, does not operate normally, or has been dropped.
- 14 **WARNING:** To reduce the risk of fire or electrical shock, this apparatus should not be exposed to rain or moisture and objects filled with liquids, such as vases, should not be placed on this apparatus.
- 15 To completely disconnect this equipment from the mains, disconnect the power supply cord plug from the wall socket.
- 16 The mains plug on the power supply cord shall remain readily accessible.
- 17 Due to the powerful drive unit magnet, do not place within (3 feet) 1 metre of a television or computer monitor.



The lightning flash with an arrowhead symbol within an equilateral triangle, is intended to alert the user to the presence of uninsulated "dangerous voltage" within the product's enclosure that may be of sufficient magnitude to constitute a risk of electric shock to persons.



The exclamation point within an equilateral triangle is intended to alert the user to the presence of important operating and maintenance (servicing) instructions in the literature accompanying the product.



IMPORTANT SAFETY INSTRUCTIONS

Electrical Requirements

Check that the voltage rating displayed on the rear panel is correct for your area before connecting. If it is incorrect, please refer to your local dealer or authorised service agent, as no user adjustment is provided.

EUROPEAN MODELS

A mains cable is supplied with an IEC moulded socket at one end and a moulded mains plug at the other end. Where the moulded plug is fitted with a mains fuse, always replace with the same 5A rated fuse.

If the fitted plug is unsuitable for your type of outlet sockets, it should be cut off and disposed of safely, in case it is inserted into a live socket elsewhere. The wires in the mains cable are coloured in accordance with the following code:

GREEN AND YELLOW
BLUE
BROWN

EARTH
NEUTRAL
LIVE

AS THE COLOURS OF THE WIRES IN THE MAINS CABLE MAY NOT CORRESPOND WITH THE COLOURED MARKINGS IDENTIFYING THE TERMINALS IN YOUR PLUG, PROCEED AS FOLLOWS:

- ⦿ The wire which is coloured GREEN AND YELLOW must be connected to the terminal in the plug which is marked either by the letter E, the earth safety symbol, or coloured GREEN or GREEN and YELLOW.
- ⦿ The wire which is coloured BLUE must be connected to the terminal in the plug which is marked by the letter N or coloured BLACK.
- ⦿ The wire which is coloured BROWN must be connected to the terminal in the plug which is marked by the letter L or coloured RED.
- ⦿ Ensure that the terminals are tightened securely, and no loose strands of wire are present. Ensure cord grip is clamped over outer sheath of cable, rather than over the wires.

FUSE PROTECTION

An additional mains fuse is provided in the IEC power inlet on the back of the loudspeaker, which can only be removed with the power cord unplugged. This must be replaced by a fuse of the same type and rating (see Specifications or refer to rear panel).

arena

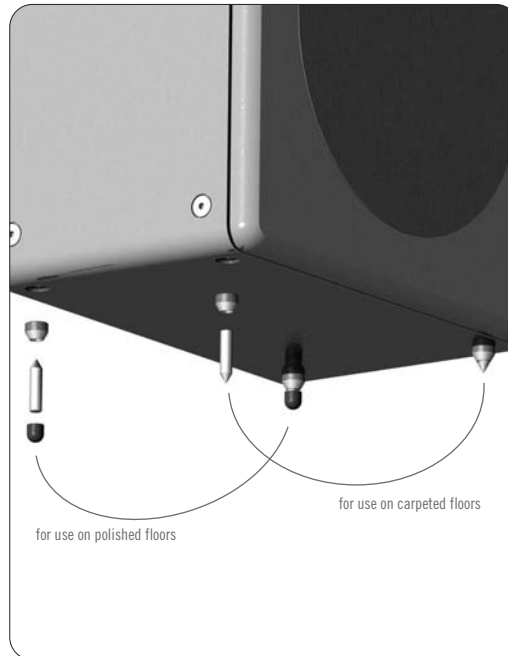
POSITIONING AND FITTING OF FEET

As a subwoofer produces low frequencies only, it is difficult to detect its location by ear. It can therefore be placed anywhere in the room, but it is worth experimenting to find the optimum position. Bass output will increase next to a wall or especially in a corner; so use the volume control to compensate if moving your subwoofer around.

This subwoofer is unique in that it can be used in various orientations, depending on available space and desired visual effect. For portrait positioning, screw the metal spikes into the cabinet, first removing the blanking plugs. Secure using the lock nuts supplied. For driver facing down operation, use the extension legs as shown. For use on polished wooden floors, reverse the spikes and fit the protective boots provided, to avoid damage. Ensure the subwoofer is sitting firmly on the floor, to avoid vibration.



arena



arena

SETTING UP

Ensure the main POWER switch is in the OFF position. Connect the subwoofer input socket to the *sub* out on your AV processor or amplifier, using a screened phono cable. You can operate the subwoofers in two modes, AUTO and ON continuously, using the switch provided. In AUTO, the unit remains OFF until an input signal is detected. Status is confirmed by the power light, which glows red in AUTO standby, but is otherwise green.

Firstly set GAIN volume to MIN, and LFE MODE switch to ON. This will bypass the unit's internal crossover, with this function now provided for within the AV processor. The XOVER FREQ. Control will no longer be functional. Set the PHASE control to 0°. The LED will turn green when switched ON, or when a signal is detected in AUTO mode.

Set the LF EXTENSION control to mid position and play some music or other material through the system and slowly increase the input level control until roughly the correct amount of bass is present. If this does not prove possible, rotate the PHASE control clockwise, which with some speakers and rooms will give increased bass output. Moving the LF EXTENSION control anticlockwise towards the MUSIC position will give a deeper more extended bass, while moving it clockwise towards the THEATRE position will increase the impact of movie sound effects. Fine adjustment of the controls will take a little time using a range of different programme material.

If an even bass performance and seamless transition to the satellites does not prove possible in your room, switch the LFE MODE switch to OFF and experiment with the crossover frequency. It is often possible to reduce the influences of harmful room resonances in this manner.

AUTO POWER/ SLEEP FUNCTION

This subwoofer can be left permanently on in AUTO mode, under which conditions it will revert to 'sleep' mode after approximately 12 minutes. If not using your subwoofer for some time, switch OFF and remove the power cable from the mains outlet.

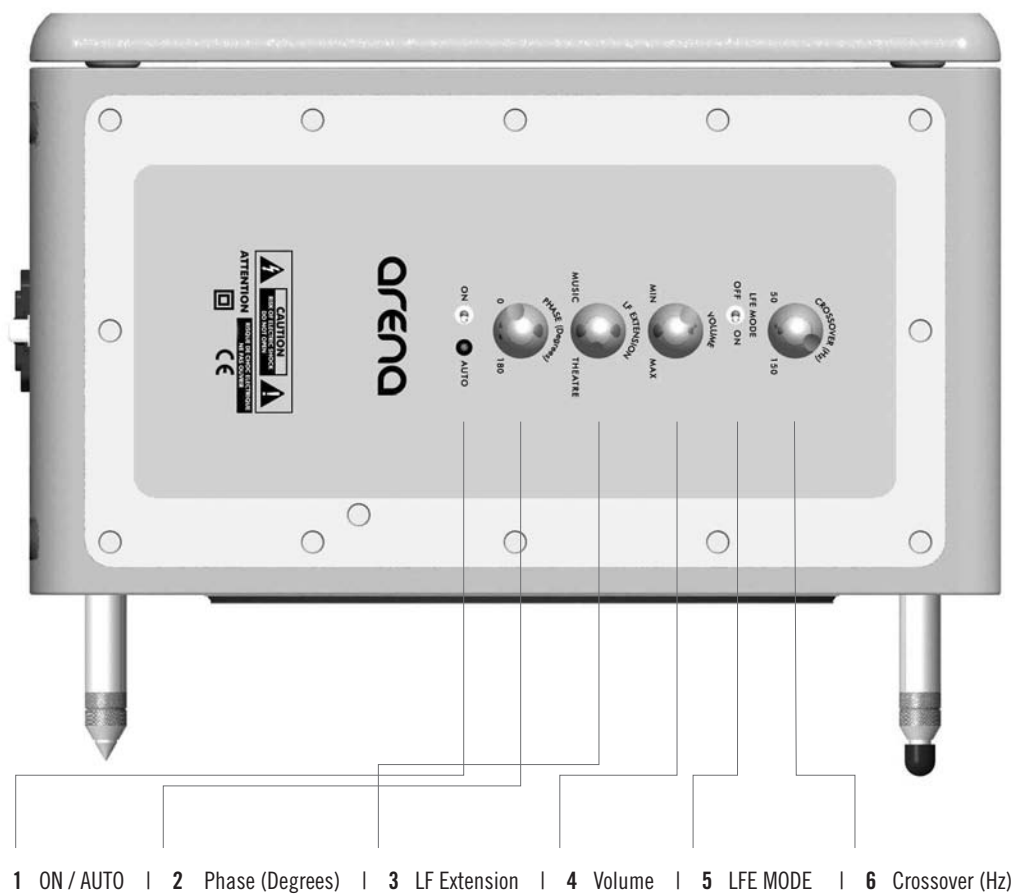
OVERLOAD PROTECTION

The Arena subwoofer is provided with circuitry to limit the maximum sound output, in order to eliminate audible distortion. This circuitry will normally operate unnoticed. If however distortion is heard, this indicates the unit is being severely overloaded, and to avoid damage, the input level should be reduced immediately.

CLEANING

Dust the enclosure with a dry lint free cloth. Do not use any solvent-based chemicals.

arena

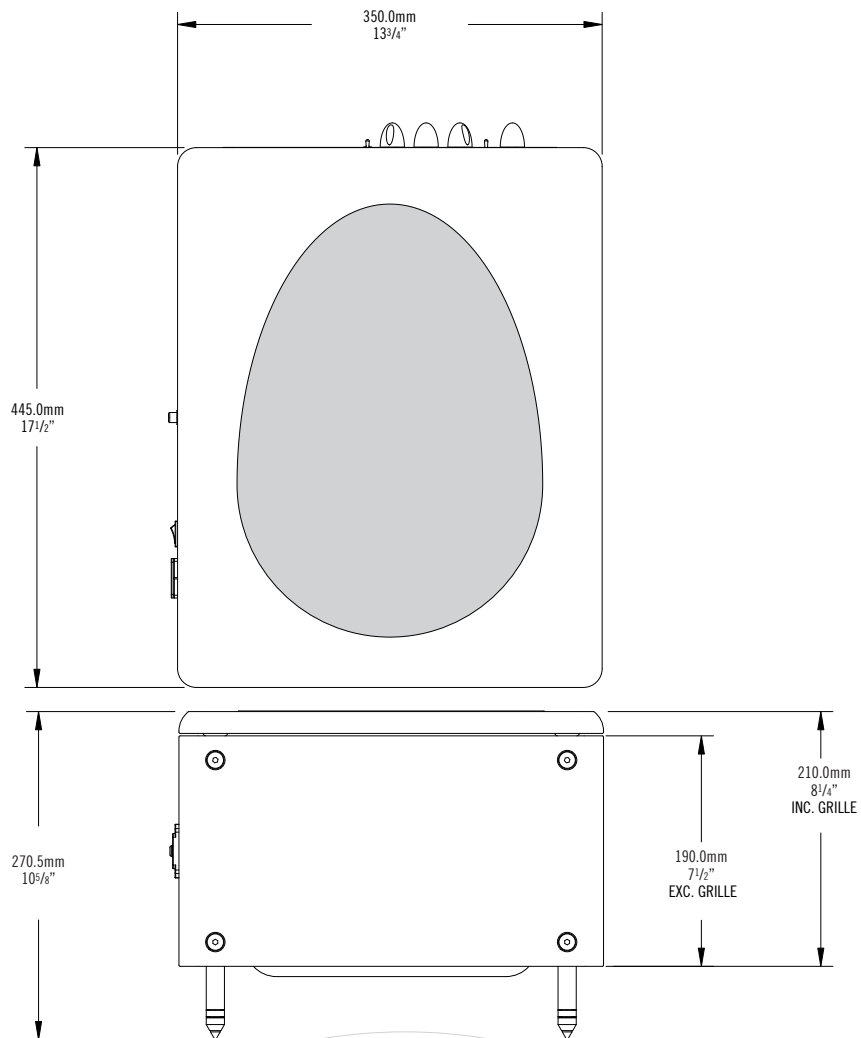


arena

	TECHNICAL SPECIFICATION	
	Subwoofer	
Output Power		300W RMS
Low Frequency Response (-6dB)		29Hz
Limit for usable output		16Hz
Input		1 x line level phono
Input Filter		2 nd order low pass, 50Hz – 150Hz, -6dB.
Auto Mute		After approximately 12 mins, in absence of input signal
Driver Type		250mm (10")
Enclosure Type		Closed box
Enclosure Volume		20.0L litre/ 0.7 cu.ft
Additional Features		Phase control
		Crossover defeat switch for LFE operation
		Soft limiting to avoid overload
		LF extension control
Enclosure Dimensions		445 x 350 x 210mm
(Excluding feet)		17 ¹ / ₂ x 13 ³ / ₄ x 8 ¹ / ₄ "
Enclosure Weight		14kg / 30.8 lbs
Mains Voltage		120V nominal AC ~, 60Hz
		230V nominal AC ~, 50Hz
Mains Fuse		120V - T3.15AL/250V
		230V - T1.6AL/250V
Maximum Power Consumption		416VA
Weight		14.5kg (32lbs)

arena

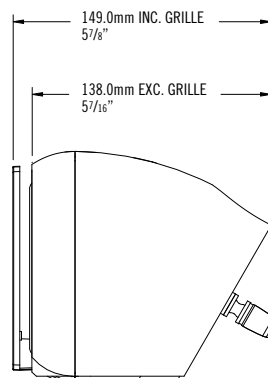
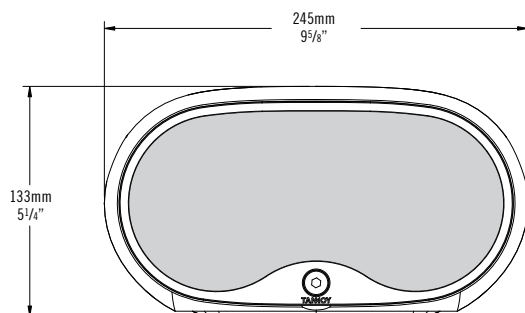
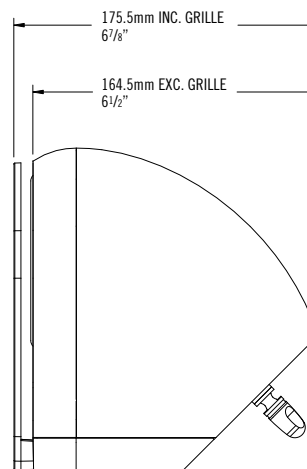
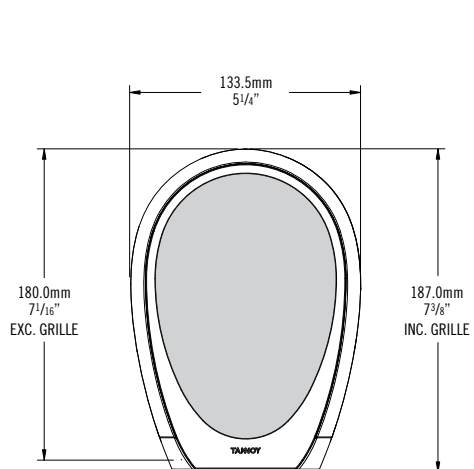
TECHNICAL SPECIFICATION



arena

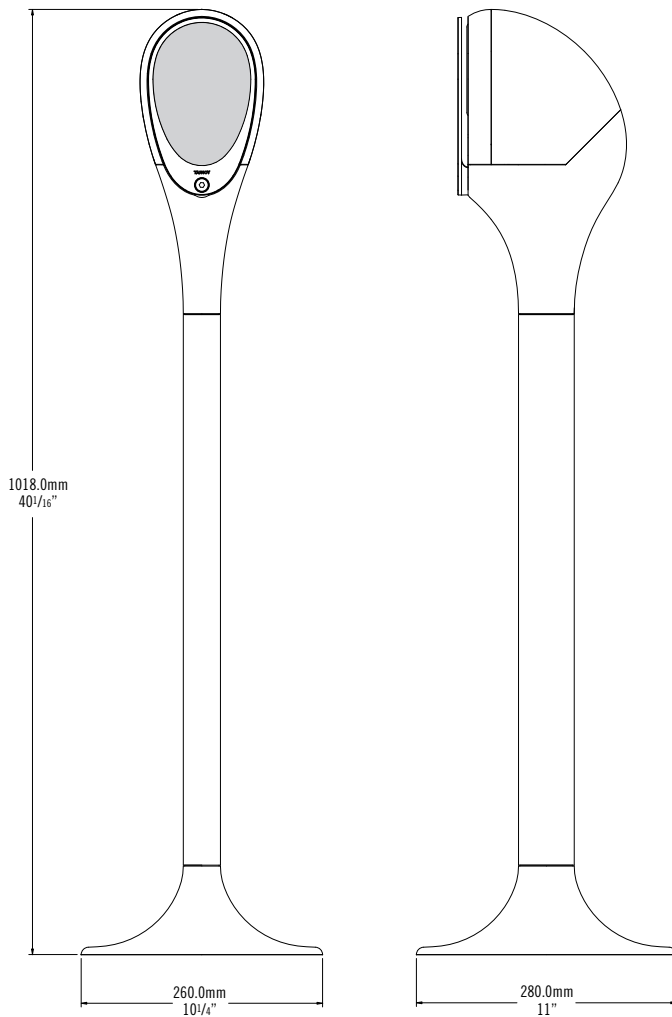
	TECHNICAL SPECIFICATION Satellites & Centre	
Recommended amplifier power		15- 100W
Sensitivity (2.83V @ 1m)		88dB
Nominal impedance		8 ohm
Frequency response (-6dB)		80Hz- 54kHz
Crossover frequency		1.75kHz mid to high
		80Hz to subwoofer
Crossover type		2 nd order low pass
		1 st order high pass
Dual Concentric Driver		LF 100mm mixed fibre pulp cone
		Dynamic overload protection
Bass Driver (Centre only)		HF 19mm titanium dome with neodymium magnet system
Enclosure Type		100mm mixed fibre pulp cone
Internal volume (Satellite)		Ported
Internal volume (Centre)	2.0L, 0.07cu.ft	
	2.6L, 0.09cu.ft	
Dimensions (Satellite)	187.0mm x 133.5mm x 175.5mm	
Including Grille	7 ³ / ₈ " x 5 ¹ / ₄ " x 6 ⁷ / ₈ "	
Dimensions (Centre)	133mm x 245mm x 149mm	
Including grille	5 ¹ / ₄ " x 9 ⁵ / ₈ " x 5 ⁷ / ₈ "	
Weight (Satellite)	2.5kg (5.5lbs)	
Weight (Centre)	4.0kg (8.8lbs)	

arena

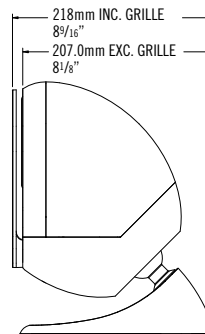
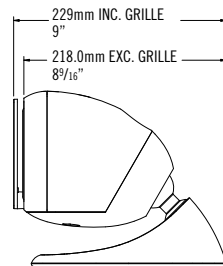
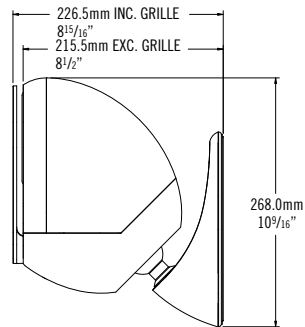
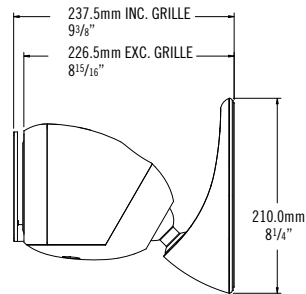
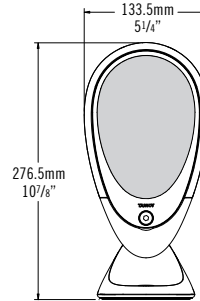
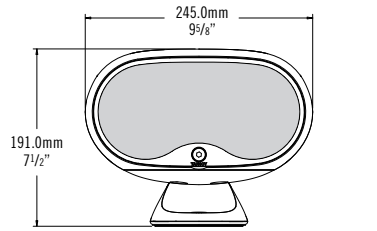


arena

optional accessories



arena

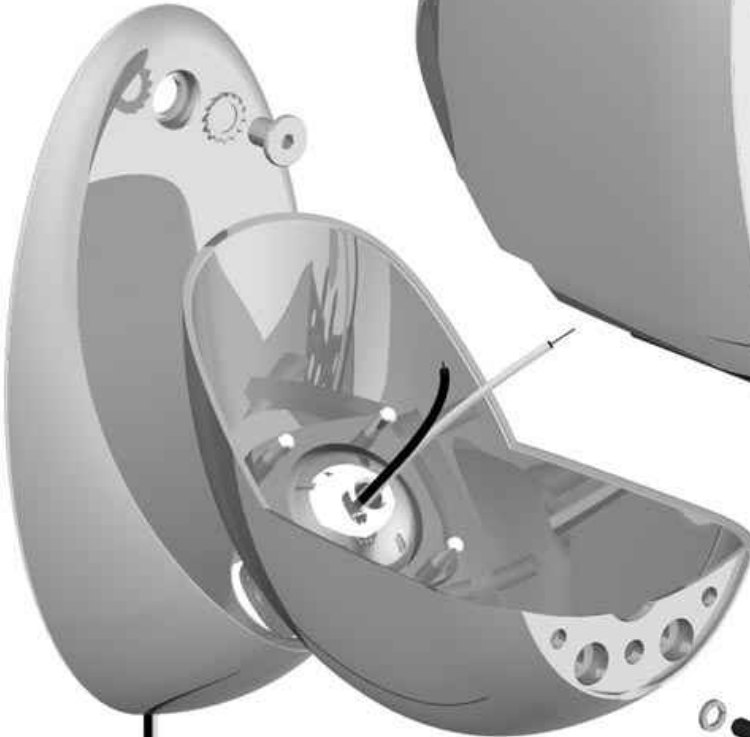


optional accessories

arena



Centre Channel shown with optional stand mount



Satellite shown with optional wall bracket

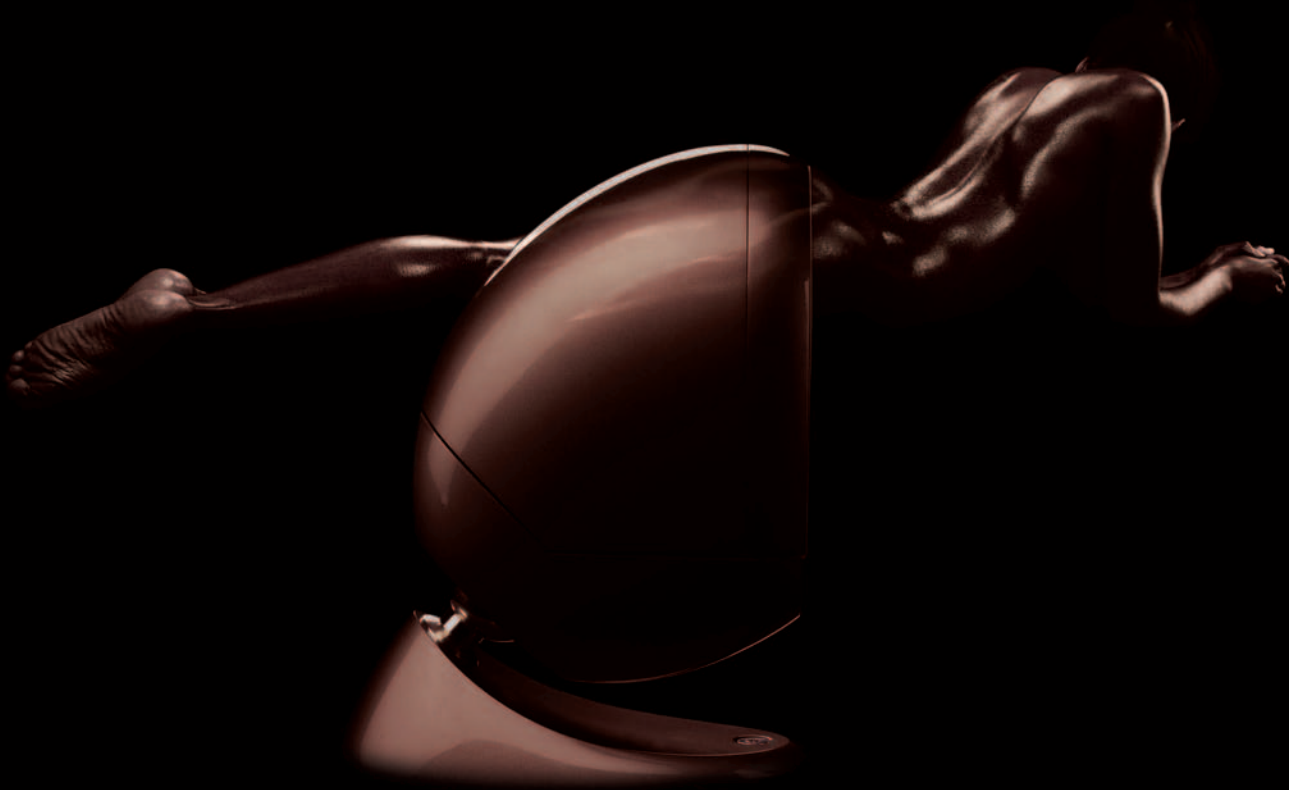


optional accessories



Tannoy adopts a policy of continuous improvement and product specification is subject to change. E. & O.E.

This equipment has undergone safety and EMC testing, and complies with the **European Low Voltage Directive** and **Electromagnetic Compatibility Directive**, together with the requirements of the **Canadian Standards Association (CSA)**.



arena |  **DUAL**[™]
CONCENTRIC |  **WIDEBAND**[™]
TECHNOLOGY

Tannoy United Kingdom □ T: +44 (0) 1236 420199 □ F: +44 (0) 1236 428230 □ E: enquiries@tannoy.com
Tannoy North America □ T: (519) 745 1158 □ F: (519) 745 2364 □ E: inquiries@tannoyna.com

Check periodically for the latest manual revision that will always be available for download from
www.tannoy.com The revision number of this manual is located below

tannoy.com

6481 0426