

Product Description

Designed for a wide variety of sound reinforcement applications, the Tannoy Di5a is an ultra compact, high performance, active surface mount loudspeaker system capable of delivering high sound pressure levels with extremely low distortion. A full bandwidth loudspeaker designed for commercial, professional and residential applications where durability and high quality sonic performance are required. These speakers are ideally suited to stereo or monaural background or foreground music systems in such applications as diverse as theme parks, retail premises, restaurants and cafés, corporate audio visual, residential developments and houses of worship.

Equipped with Tannoy's unique and exclusive point source ICT™ 110mm (4.50") drive unit, the Di5a delivers an acoustic performance of outstanding clarity, definition and detail. The point source configuration of the Tannoy ICT™ driver's mid-bass and tweeter sections ensures a wide and controlled dispersion for optimum coverage; this while avoiding the massive loss of energy in the vertical plane, at the crossover frequency, inherent in two-way discrete designs. The ICT™ (Inductive Coupling Technology) drive unit also addresses the two most common component failures experienced in background music and sound reinforcement systems, the tweeter and the crossover reliability. The use of a wireless electromagnetic tweeter means that no crossover is required in the design; this therefore ensures that an ICT™ unit is exceptionally reliable and therefore ideal for applications where constant heavy usage is the norm. This aluminium high frequency dome has a deep drawn skirt that sits on the inside of the low frequency voice coil in the same magnetic gap. The skirt is like a single shorted turn that is induced with high frequency information generated by the low frequency voice coil, which is fed a full bandwidth signal. The mineral loaded polypropylene cone material and nitrile rubber surround further enhance durability and long-term reliability.

Available in textured black or white painted finish with matching rubber trims, the outstandingly durable and scuff resistant enclosure is manufactured from high impact polystyrene (HIPS) with a powder coated perforated steel grille. Modification is possible by application of alternative colour trims.

Two standard colour trim options are available from stock; enabling black or white product to be supplied factory pre-fitted with either red or blue trims. Other trim colours can also be created to suit specific requirements, but only as a special order customisation subject to minimum order quantities. Primarily aimed at corporate branding applications, this aesthetic flexibility will also enable colour coordination for larger installs.

Features

- 110mm (4.50") ICT™ transducer for high performance and durability
- 90 degree controlled conical dispersion for optimum coverage and forward gain
- High power handling and extended bandwidth
- Phase coherent design for superior vocal articulation and music reproduction
- Yoke bracket supplied, optional accessories include pole mount adaptor
- Five year loudspeaker warranty

Applications

- Indoor or outdoor commercial, professional and residential installations
- High level stereo or monaural background or foreground music and speech paging systems
- Theme parks
- Theme bars
- Reception / waiting rooms
- Airports, convention centres and hotels
- Business music systems
- Boardrooms and offices
- Cruise ships
- Retail outlets and shopping malls
- Restaurants and cafes
- Corporate audio visual
- Residential developments
- Houses of worship

Tannoy United Kingdom
Tannoy North America
Tannoy Deutschland
Tannoy France

T: 00 44 (0) 1236 420199
T: 00 1 (519) 745 1158
T: 00 49 (180) 1111 881
T: 00 33 (0)1 7036 7473

E: enquiries@tannoy.com
E: inquiries@tannoyna.com
E: anfragen@tannoy.com
E: ventes@tannoy.com

tannoy®.com



TECHNICAL SPECIFICATIONS

System	Di5a
Frequency Response (-3dB) ⁽¹⁾	100Hz - 25kHz
Frequency Range (-10dB) ⁽¹⁾	90Hz - 30kHz
Dispersion (-6dB)	90 degrees conical
Driver Complement	
Low Frequency	1x 110mm (4.50") Mineral loaded polypropylene
High Frequency	25mm (1.00") ICT™
Crossover	7kHz Inductively Coupled ICT™
Directivity Factor (Q)	5.3 averaged 1kHz to 10kHz
Directivity Index (DI)	6.6 averaged 1kHz to 10kHz
Rated Maximum SPL ⁽²⁾	
Average	103dB
Peak	109dB
Power Output	30W RMS
Distortion	
10% Full Power (4.25V)	2nd Harmonic 3rd Harmonic
250Hz	1.33% 0.25%
1kHz	0.62% 0.16%
10kHz	1.43% 0.35%
1% Full Power (1.34V)	2nd Harmonic 3rd Harmonic
250Hz	0.41% 0.10%
1kHz	0.23% 0.07%
10kHz	0.32% 0.18%
Input Sensitivity (for maximum input)	775mV (balanced) 500mV (unbalanced)
Input Impedance	11kOhms (balanced) 7k Ohms (unbalanced)
Protection Circuitry	Thermal Soft Limiting
Supply	100 - 240V AC, 50 - 60Hz Fuse T1AL 250V
Power Consumption	76VA maximum

Construction	
Enclosure	High impact Polystyrene (HIPS)
Grille	Steel, with weather resistant coating
Finish	Textured black or white paint with matching rubber trims, Factory fitted custom trim colours available to special order
Connectors	6 way euro-type input / output connector Unbalanced RCA (phono) input Mains inlet IEC type C13
Fittings	2 x M8 yoke bracket inserts
Supplied Accessories	Yoke bracket
Optional Accessories	Pole mount adaptor
Dimensions	240.7 x 155.0 x 162.0mm (H x W x D) 9.47 x 6.10 x 6.38" (H x W x D)
NET Weight	2.40kg (5.3lbs)

Notes

- (1) Average over stated bandwidth. Measured at 1 metre on axis in an anechoic chamber
(2) Unweighted pink noise input, measured at 1 metre in an anechoic chamber

A full range of measurements, performance data, and Ease™ Data can be downloaded from www.tannoy.com

Tannoy operates a policy of continuous research and development. The introduction of new materials or manufacturing methods will always equal or exceed the published specifications, which Tannoy reserves the right to alter without prior notice. Please verify the latest specifications when dealing with critical applications.

Ordering Information

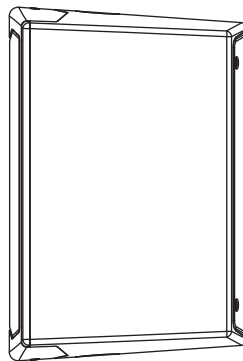
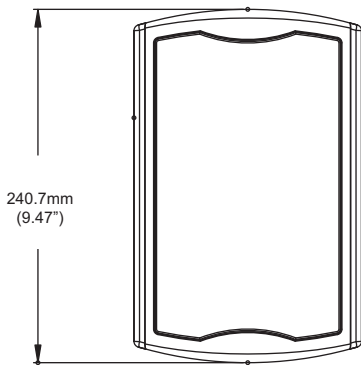
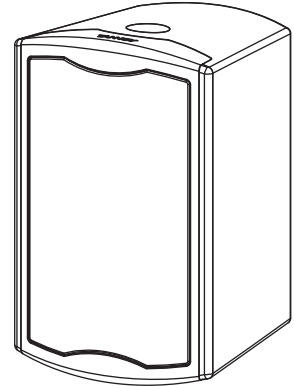
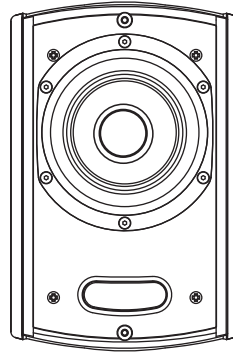
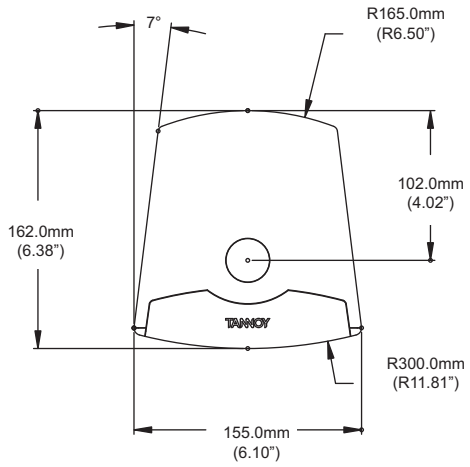
PART NUMBER	MODEL NAME	COLOUR	PACKED QUANTITY
8001 4030	Di5a (110V)	Black	2
8001 4031	Di5a (230V UK & EU)	Black	2
8001 4032	Di5a (110V)	White	2
8001 4033	Di5a (230V UK & EU)	White	2



Di5a

TANNOY®

DIMENSIONAL SKETCHES



Tannoy United Kingdom
 Tannoy North America
 Tannoy Deutschland
 Tannoy France

T: 00 44 (0) 1236 420199
 T: 00 1 (519) 745 1158
 T: 00 49 (0180) 1111 881
 T: 00 33 (0)1 7036 7473

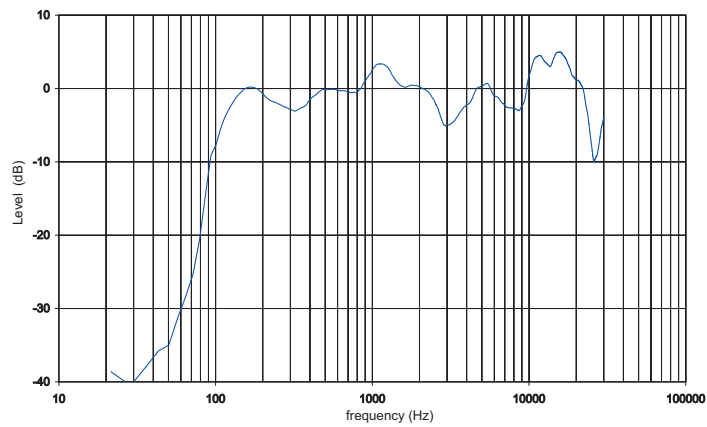
E: enquiries@tannoy.com
 E: inquiries@tannoyna.com
 E: anfragen@tannoy.com
 E: ventes@tannoy.com

tannoy.com



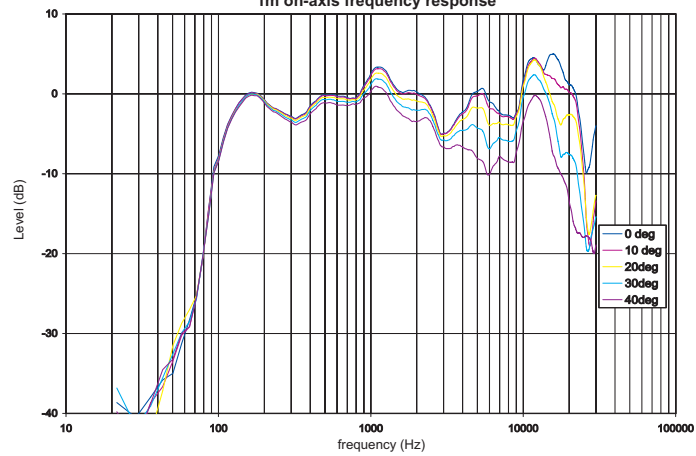
PERFORMANCE MEASUREMENTS

1m on-axis frequency response



ANECHOIC
FREQUENCY
RESPONSE

1m on-axis frequency response



OFF AXIS
RESPONSE

Tannoy United Kingdom
 Tannoy North America
 Tannoy Deutschland
 Tannoy France

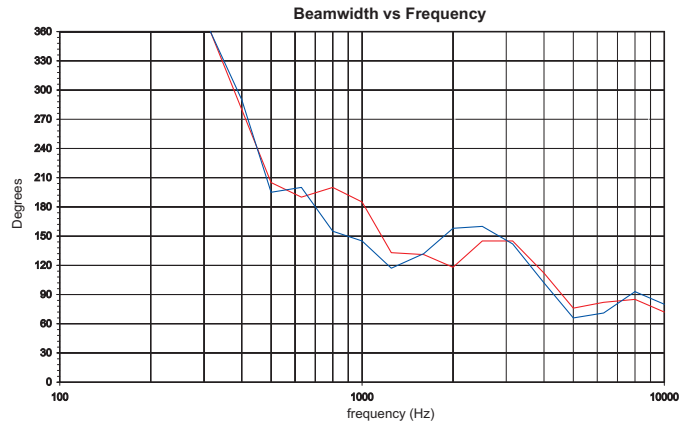
T: 00 44 (0) 1236 420199
 T: 00 1 (519) 745 1158
 T: 00 49 (0180) 1111 881
 T: 00 33 (0)1 7036 7473

E: enquiries@tannoy.com
 E: inquiries@tannoyna.com
 E: anfragen@tannoy.com
 E: ventes@tannoy.com

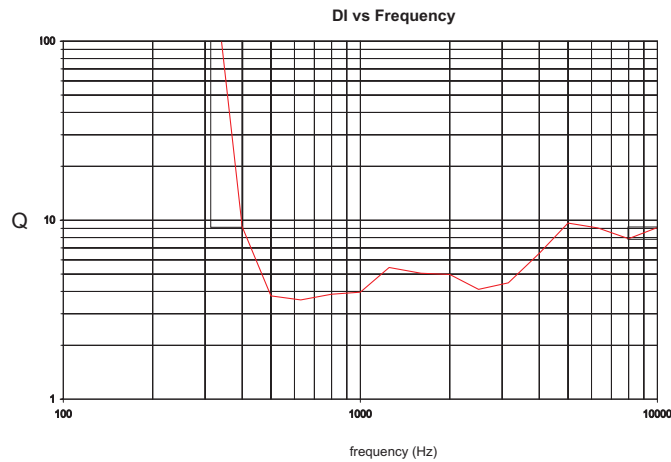
tannoy®.com



PERFORMANCE MEASUREMENTS



BEAMWIDTH



DIRECTIVITY INDEX

Tannoy United Kingdom
 Tannoy North America
 Tannoy Deutschland
 Tannoy France

T: 00 44 (0) 1236 420199
 T: 00 1 (519) 745 1158
 T: 00 49 (0180) 1111 881
 T: 00 33 (0)1 7036 7473

E: enquiries@tannoy.com
 E: inquiries@tannoyna.com
 E: anfragen@tannoy.com
 E: ventes@tannoy.com

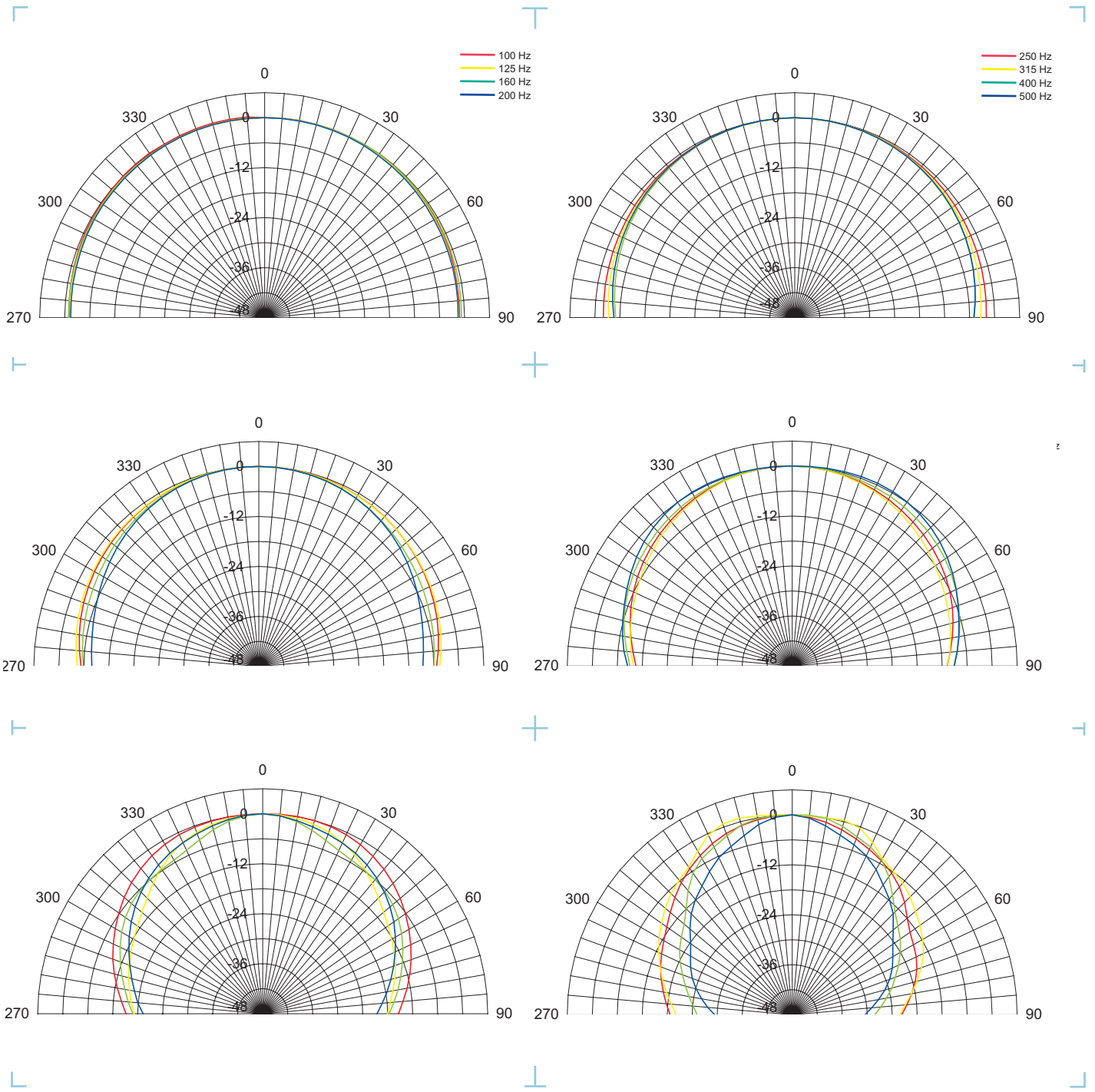
tannoy.com



Di5a

TANNOY®

PERFORMANCE MEASUREMENTS POLAR PLOTS (1/3 OCTAVE)



Tannoy United Kingdom
 Tannoy North America
 Tannoy Deutschland
 Tannoy France

T: 00 44 (0) 1236 420199
 T: 00 1 (519) 745 1158
 T: 00 49 (0180) 1111 881
 T: 00 33 (0)1 7036 7473

E: enquiries@tannoy.com
 E: inquiries@tannoyna.com
 E: anfragen@tannoy.com
 E: ventes@tannoy.com

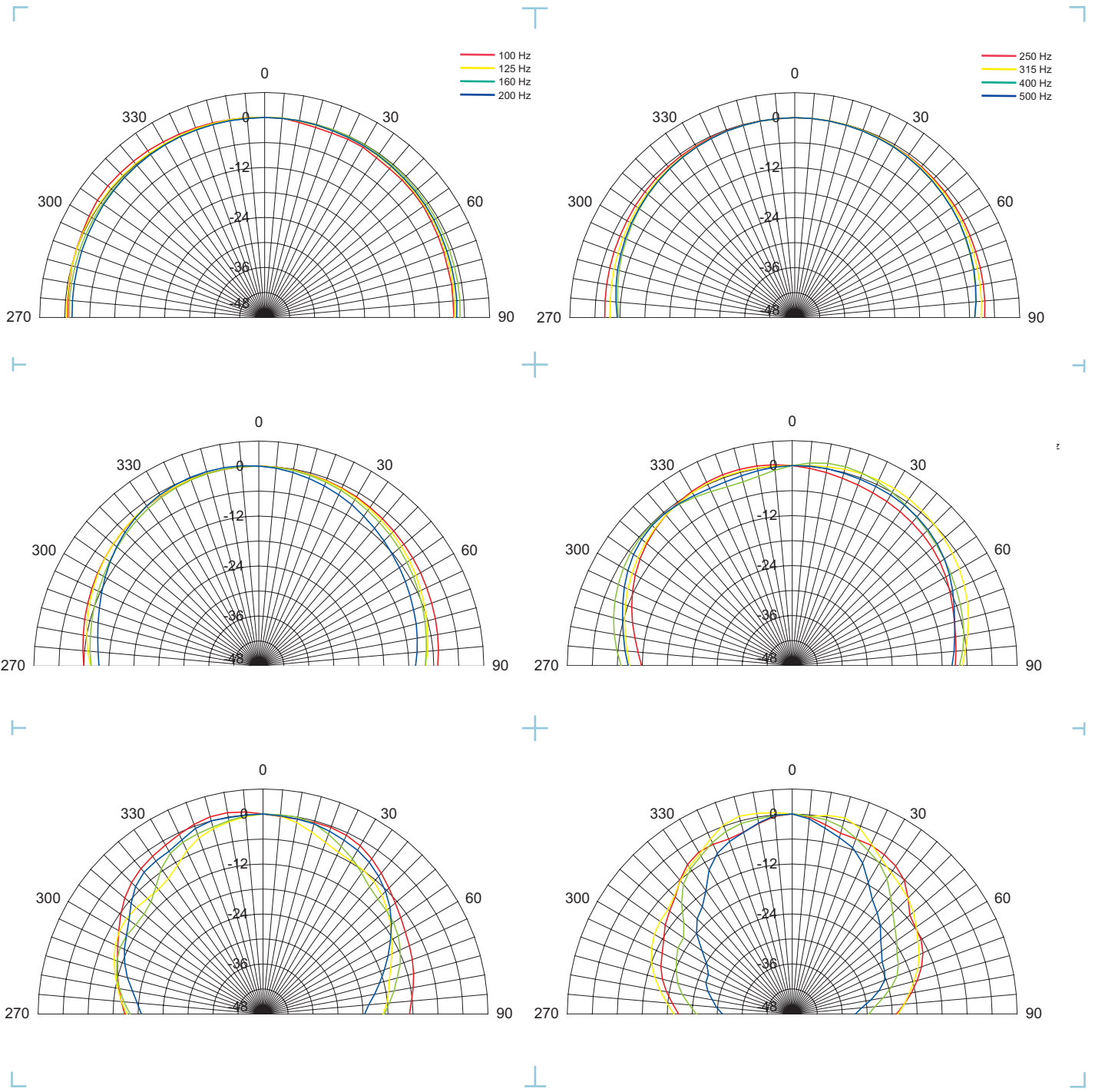
tannoy®.com



Di5a

TANNOY®

PERFORMANCE MEASUREMENTS POLAR PLOTS (1/2 OCTAVE)



Tannoy United Kingdom
 Tannoy North America
 Tannoy Deutschland
 Tannoy France

T: 00 44 (0) 1236 420199
 T: 00 1 (519) 745 1158
 T: 00 49 (0180) 1111 881
 T: 00 33 (0)1 7036 7473

E: enquiries@tannoy.com
 E: inquiries@tannoyna.com
 E: anfragen@tannoy.com
 E: ventes@tannoy.com

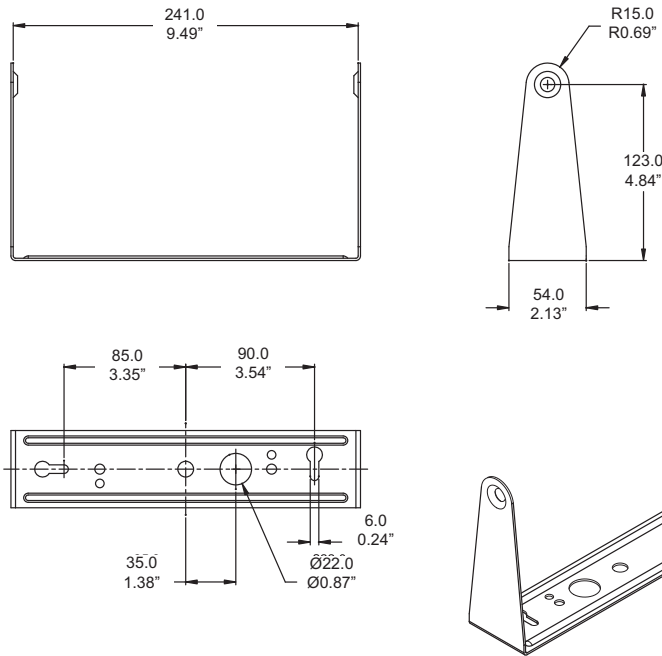
tannoy.com



ACCESSORIES

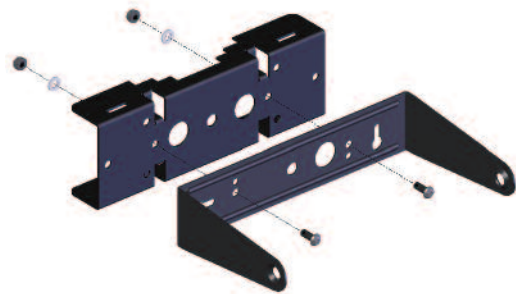
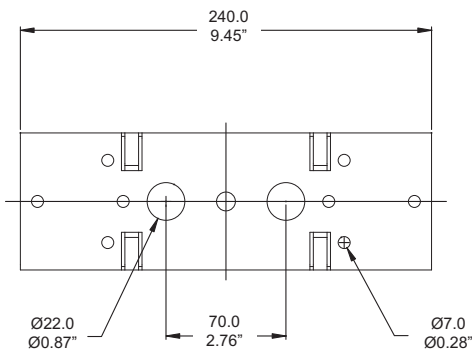
SUPPLIED MOUNTING BRACKET

Di5a Yoke Bracket



ADDITIONAL MOUNTING BRACKET

Pole Mount Adapter



Pole Mount Adapter with Yoke bracket

Ordering Information

PART NUMBER	MODEL NAME	COLOUR	PACKED QUANTITY
8001 4600	Pole Mount Adapter	Black	1
8001 4601	Pole Mount Adapter	White	1

Tannoy United Kingdom
 Tannoy North America
 Tannoy Deutschland
 Tannoy France

T: 00 44 (0) 1236 420199
 T: 00 1 (519) 745 1158
 T: 00 49 (0180) 1111 881
 T: 00 33 (0)1 7036 7473

E: enquiries@tannoy.com
 E: inquiries@tannoyna.com
 E: anfragen@tannoy.com
 E: ventes@tannoy.com

tannoy.com



Architectural specifications

The full bandwidth, active surface mount speaker system shall consist of a 110mm (4.50") full range, point source ICT™ transducer mounted in an optimally tuned vented, injection moulded high impact polystyrene (HIPS) enclosure. The protective grille shall be constructed from steel with a weather resistant coating.

Performance of the Di5a surface mount speaker shall meet or exceed the following criteria: The system shall have a conical coverage pattern of 90 degrees (-6dB). Frequency response measured on axis shall be 90Hz - 30kHz (-10dB from rated sensitivity, average over stated bandwidth. Measured at 1 metre in an anechoic chamber) with no equalisation. Rated power output shall be 30W RMS and rated maximum SPL shall be 109dB (peak). (Unweighted pink noise input, measured at 1 metre in an anechoic chamber). Input sensitivity shall be 775mV (balanced) and 500mV (unbalanced). Input impedance shall be 11kOhm (balanced) and 7kOhm (unbalanced). Thermal protection and soft limiting shall be provided.

A 6-way Euro-type input / output connector, unbalanced RCA (phono) input and IEC type C13 main input shall all be provided. 2 x M8 yoke bracket inserts are provided for use with the supplied yoke bracket.

The dimensions shall not exceed 240.70 x 155.00 x 162.00mm (9.47 x 6.10 x 6.38").

The surface mount speaker system shall be the.....Di5a.

Tannoy United Kingdom
Tannoy North America
Tannoy Deutschland
Tannoy France

T: 00 44 (0) 1236 420199
T: 00 1 (519) 745 1158
T: 00 49 (180) 1111 881
T: 00 33 (0)1 7036 7473

E: enquiries@tannoy.com
E: inquiries@tannoyna.com
E: anfragen@tannoy.com
E: ventes@tannoy.com

tannoy®.com

