



Middle Atlantic Products

middleatlantic.com

96-01111 / rev. 1 / 07-28-09

iDock Series Rackmount Dock for iPod® and iPhone™



EIA/TIA Compliant



Fully Integrated Rackmount Dock for iPod® and iPhone™ available in different configurations and finishes

Features

- Compatible with most iPod and iPhone models, including iPod touch
- Audio and video outputs for each dock
- Built for professional installation with top-quality construction
- Single dock and triple dock models available
- Rear connections feature integrated cable management
- Seamless integration into professional rack systems
- Functional benefits include charging capability and syncing with iTunes
- Includes IR wireless remote control
- Compatible with:
 - iPhone 3GS, 3G
 - iPhone
 - iPod classic
 - iPod touch, iPod touch 2G
 - iPod nano, nano 2G, nano 3G, nano 4G
 - iPod 5G



RM-iDock-1M



RM-iDock-3M

Architects' and Engineers' Specifications

Fully integrated rackmount dock for iPod® and iPhone™ shall be Middle Atlantic Products model # RM-iDock-__ (refer to chart). Overall dimensions shall be 19" W x 7" H x 5.33" D and shall occupy 4 rackspaces. Useable dimensions shall be __" W x 5.5" H x 3" D (refer to chart). Rackmount dock shall have the ability to dock __ iPod and iPhone models (refer to chart). Rackmount dock shall be constructed of 16-gauge steel and finished in a __ finish (refer to chart). Rackmount dock shall be compatible with iPhone 3GS, 3G, iPhone, iPod Classic, iPod touch, touch 2G, iPod nano, nano 2G, nano 3G, nano 4G, and iPod 5G. Rackmount dock will utilize Apple MF1341S2164 2.0B Class 6 processor and Apple MF1514S0117 30 pin connector. Rackmount dock shall accommodate the following connectors: 5 pin mini USB for power/charging and communications, 3.5 mm TRS for audio connections, 4 pin mini DIN connector (S-Video) for video

connections. Rackmount dock shall include the following accessories: (1) 3.5 mm TRS to 2 female RCA, 6" length, (1) IR remote with 10 buttons, (1) switching power supply 120VAC to 5V DC @ 1 Amp with mini 5 pin USB, (7) plastic universal iPod inserts. Rackmount dock shall be UL listed in the US and Canada. Rackmount dock shall be RoHS EU Directive 2002 / 95 / EC compliant. Rackmount dock shall be warranted to be free from defects in material or workmanship under normal use and conditions for a period of 3 years.

Options

- Accessory shelf for RM-iDock-1M shall be iDock-SH

customizable specification clips available at middleatlantic.com

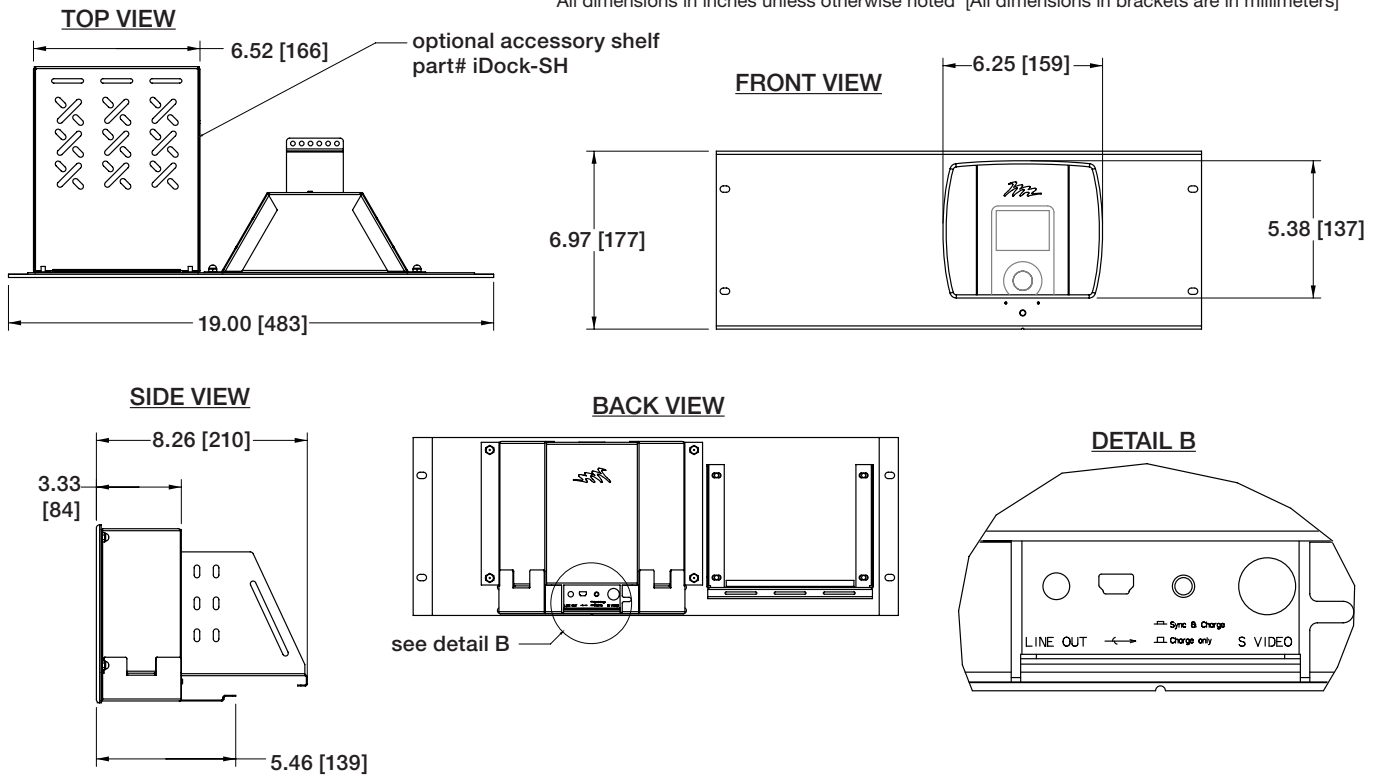
Exceptional Support & Protection Products™

US: New Jersey ▪ California ▪ Illinois ▪ Voice: 973-839-1011 Fax: 973-839-1976 ▪ middleatlantic.com
 Canada: Ontario ▪ British Columbia ▪ Voice: 613-836-2501 Fax: 613-836-2690 ▪ middleatlantic.ca

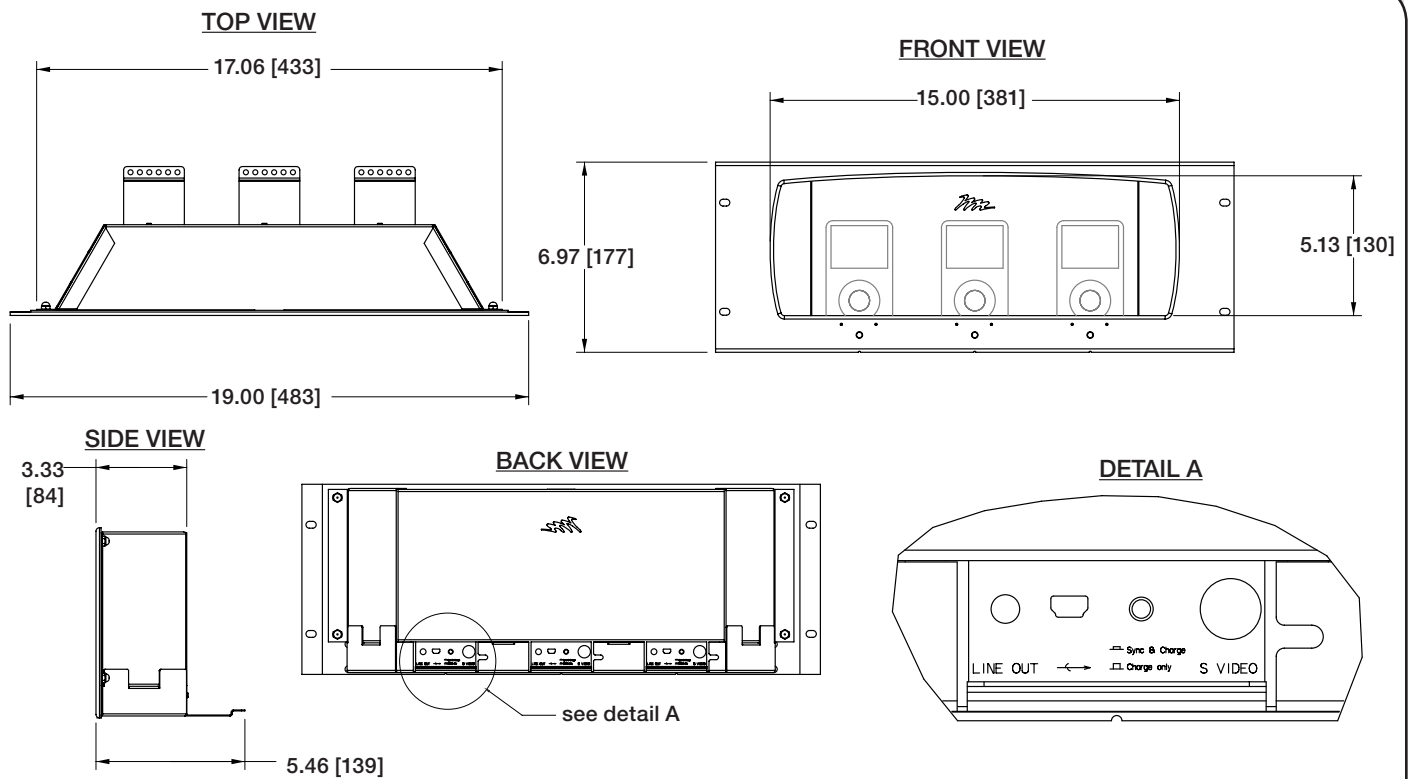
96-01111 / rev. 1 / 07-28-09 / iDock Series Rackmount for iPod® and iPhone™

RM-iDock-1M Series dimensions

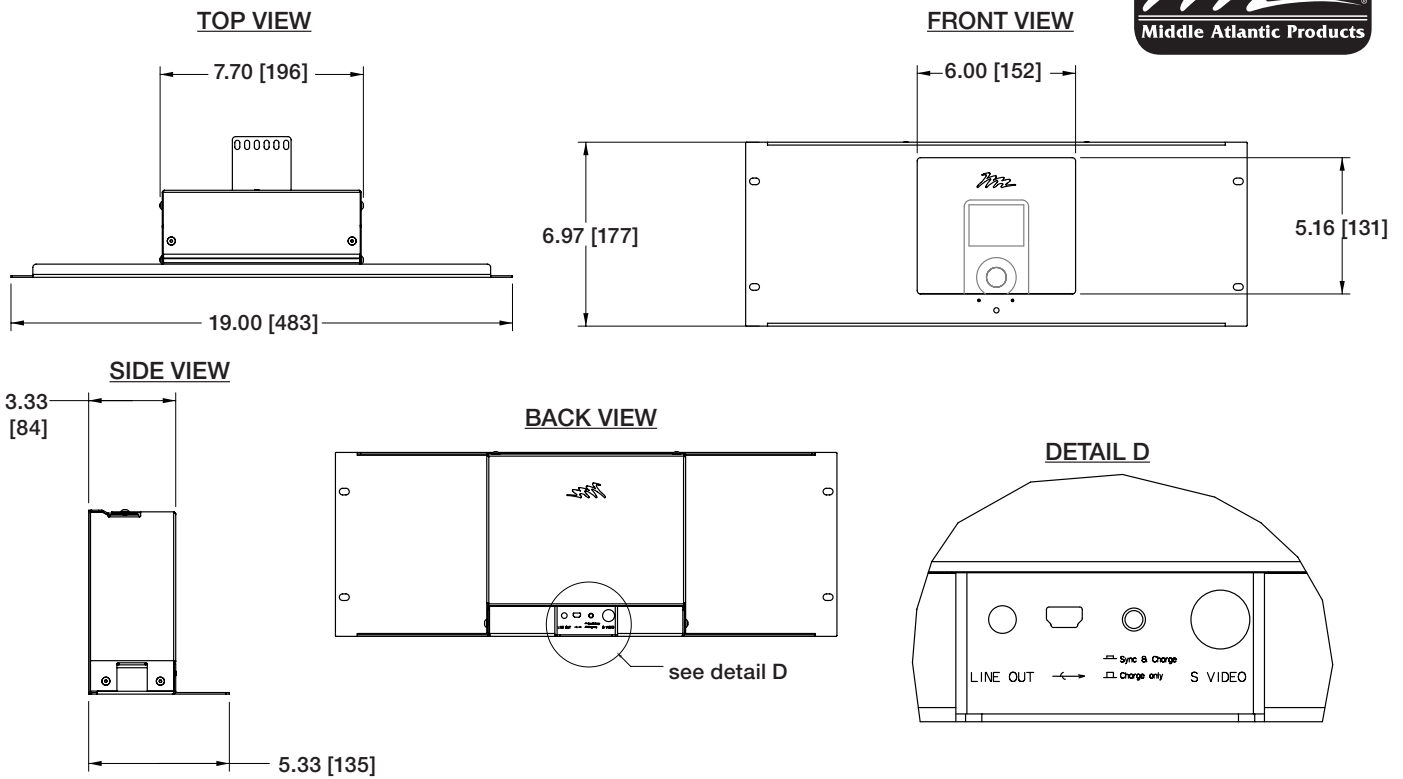
All dimensions in inches unless otherwise noted [All dimensions in brackets are in millimeters]



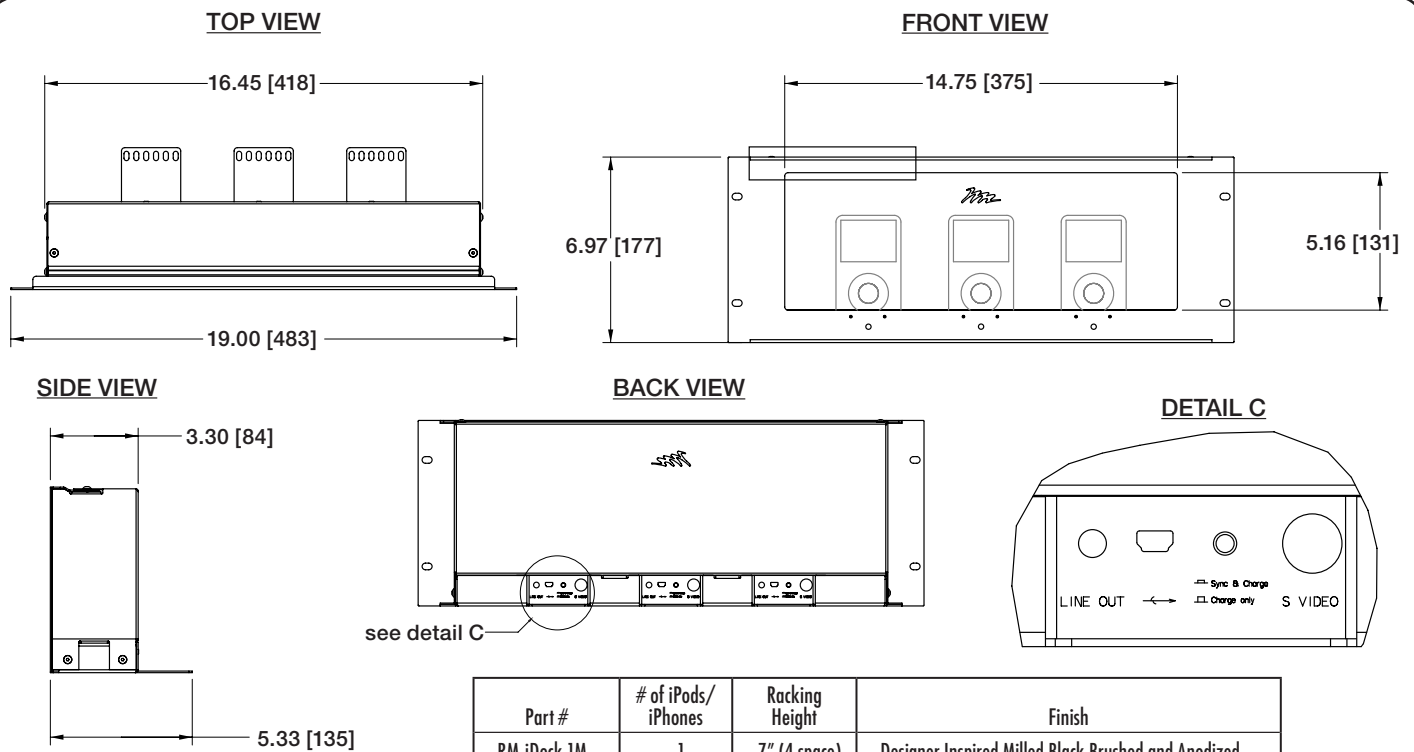
RM-iDock-3M Series dimensions



RM-iDock-1/1A Series dimensions



RM-iDock-3/3A Series dimensions



Part #	# of iPods/iPhones	Racking Height	Finish
RM-iDock-1M	1	7" (4 space)	Designer Inspired Milled Black Brushed and Anodized
RM-iDock-3M	3	7" (4 space)	Designer Inspired Milled Black Brushed and Anodized
RM-iDock-1A	1	7" (4 space)	Black Brushed and Anodized
RM-iDock-3A	3	7" (4 space)	Black Brushed and Anodized
RM-iDock-1	1	7" (4 space)	Flat Black
RM-iDock-3	3	7" (4 space)	Flat Black