

Professional Series

Key Features:

- ▶ High impact, direct radiating subwoofer with built-in passive crossover for two or four Control 42C satellite speakers.
- ▶ 200 mm (8 in) woofer with butyl rubber surround with long excursion.
- ▶ 8 ohm and 70V/100V operation.
- ▶ Integrated backcan for easy "blind-mount" install. Packaged with grille and tile rails for easy installation.

Applications:

Control 40CS/T is a direct radiating, high impact, 8" subwoofer designed to produce powerful bass performance in an in-ceiling loudspeaker. Featuring high power handling and low distortion, the Control 40CS/T subwoofer is perfect for in-ceiling sound systems requiring higher fidelity and low end extension.

The Control 40CS/T also features a built-in passive crossover network enabling the Control 40CS/T to be used as part of a subwoofer-satellite system. When combined with the Control 42C, the Control 40CS/T offers an extremely natural sounding and powerful subwoofer-satellite system that is perfect for applications requiring wide bandwidth and superior sonic performance.

Featuring a large backcan along with a high powered driver, the Control 40CS/T provides extended bass response for a warm full-bodied tone. The system's 200 mm (8 in) woofer features a polypropylene cone and pure butyl-rubber surround for long life. The copper-clad aluminum voice coil wound on a vented aluminum former provides low distortion and high sensitivity.

Ideal for small and large projects alike, the Control 40CS/T is switchable for use as either an 8-ohm low-impedance speaker, or as part of a 70V/100V distributed loudspeaker system.



(Shown with grille removed)

Specifications:

System:

Frequency Range (-10 dB) ¹ :	32 Hz - 300 Hz
Frequency Response (± 3 dB) ¹ :	50 Hz - 180 Hz
Power Capacity ² :	200 Watts Continuous Program Power 100 Watts Continuous Pink Noise
Nominal Sensitivity (2.83V/1m) ³ :	95 dB (near corner), 89 dB (center of ceiling)
Rated Maximum SPL:	109 dB @ 1 m (3.3 ft) average, 115 dB peak (center of ceiling) 115 dB @ 1 m (3.3 ft) average, 121 dB peak (near corner)
Rated Impedance:	8 ohms (in bypass mode)
Transformer Taps:	80 W 40 W, 20 W, (& 10 W @ 70V)

Transducer:

Driver: 200 mm (8 in) with polypropylene cone, butyl rubber surround, copper-clad coil, vented aluminum former.

Enclosure:

Input Connectors: Six removeable locking 2-pin connectors with screw-down terminals. Max wire 12 AWG (2.5 mm)

Knockouts: Two (top and side)

Safety Agency: Suitable for use in air handling spaces per UL1480, UL2043, NFPA90, NFPA70A, and in accordance with the requirements of IEC60849/EN60849

Dimensions: 332 mm Diameter x 338 mm Depth from back of baffle (13.1 in x 13.3 in)

Cutout Size: 307 mm Diameter (12.1 in)

Ceiling Thickness Range: Accommodates tiles/drywall up to 70 mm (2.75 inches) thick

Weight: 8.1 kg (17.9 lbs)

Included Accessories: C-ring support backing plate, 2 tile support rails (fits both 2 x 4 ft or 600 x 1200 mm tiles), knockout strain relief, cutout template, paint shield.

Optional Accessories: MTC-19NC New Construction Bracket, MTC-19MR Mud Ring Construction Bracket

¹ Half-space (flush mounted in ceiling)

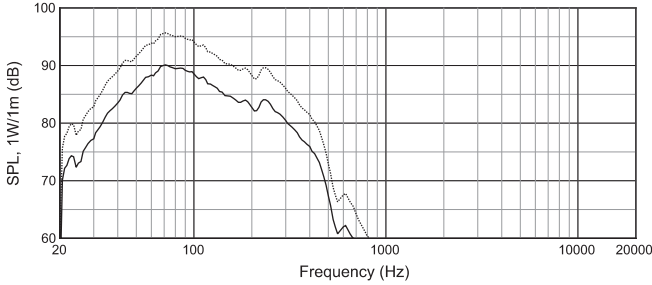
² Continuous Pink Noise rating is IEC-shaped pink noise with a 6 dB crest factor for 100 hours continuously. Continuous Program power is a conservative expression of the system's ability to handle normal speech and music program material, and is defined as 3 dB above the Continuous Pink Noise Rating.

³ Half-space (in ceiling) average 1 kHz to 16 kHz.

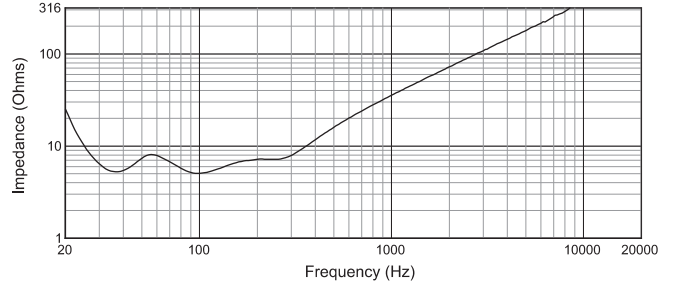
► Control 40CS/T 8.5" In-Ceiling Subwoofer with Crossover

Frequency Response:

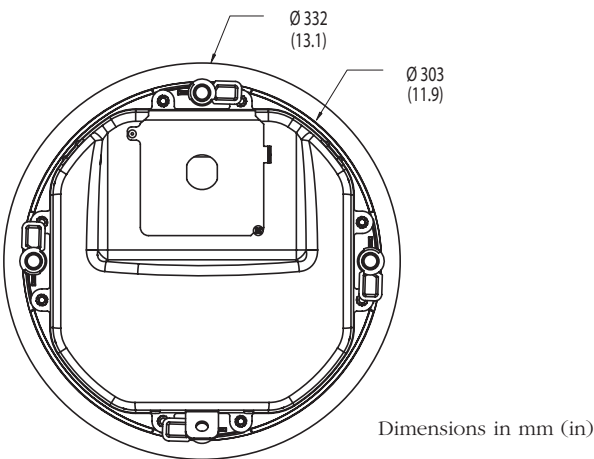
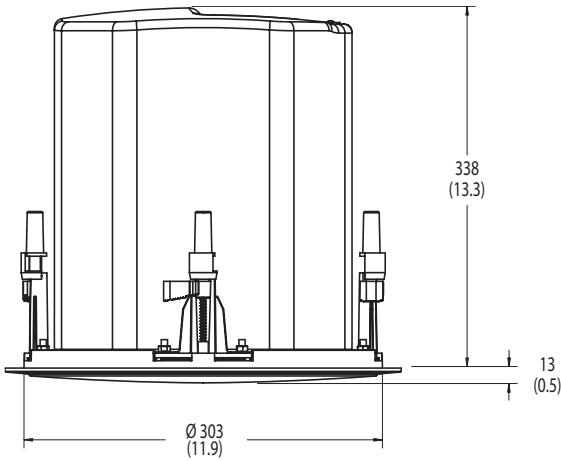
Half-space (2π , mounted in ceiling) _____
 Eighth-space ($\pi/2$, mounted near corner).....



Impedance:



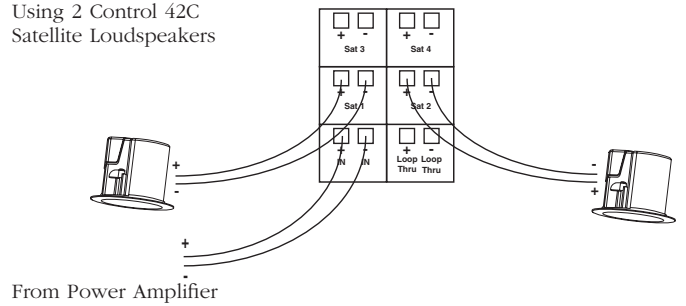
Dimensions:



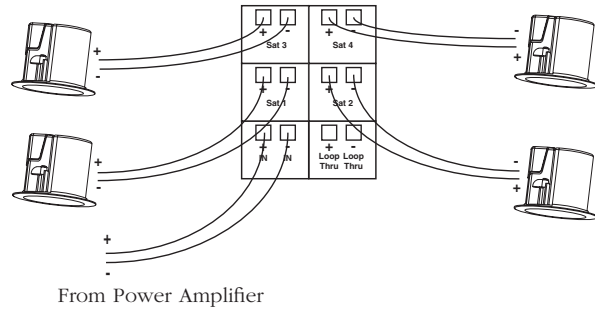
Dimensions in mm (in)

Subwoofer-Satellite Input / Output Termination

Using 2 Control 42C Satellite Loudspeakers



Using Four Control 42C Satellite Loudspeakers



JBL Professional
 8500 Balboa Boulevard, P.O. Box 2200
 Northridge, California 91329 U.S.A.

■ A Harman International Company
 © Copyright 2008 JBL Professional
 www.jblpro.com

SS C40CS/T
 CRP 5M
 09/08