

General Description

The Rane MS 1S Mic Stage preamplifier provides the answer when you need just one microphone input in an otherwise line-level world. Give us a call to go from either a dynamic, condenser or electret microphone to a line-level input with a minimum of noise, distortion, cost and hassle.

The MS 1S provides 48 V switchable Phantom Power with indicator LED, continuous rotary Gain trim between 18 dB and 66 dB, Signal/Overload LED, and XLR balanced Input & Output connectors. A Polarity switch and high-current cross-coupled output line driver round out the features.

The MS 1S utilizes one of the finest ultra low noise amplifier designs available. Featuring a true differential input with high common-mode rejection, use of the MS 1S guarantees performance usually found only in mixing consoles costing thousands of times as much. Of course, for all of that extra money you receive a proportional increase in KPSI (knobs per square inch).

The MS 1S replaces the MS 1B Mic Stage with a new internal universal power supply. The width increases by one inch, and all other features are the same.



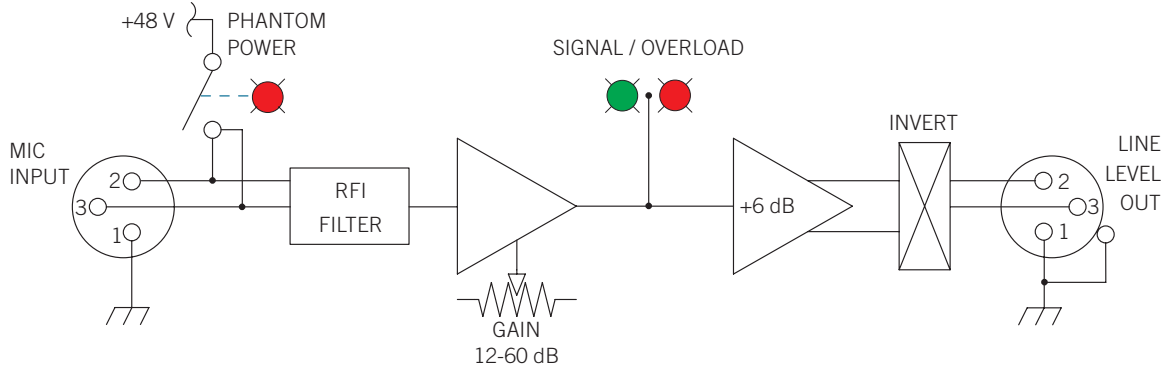
Features

- 120 dB dynamic range
- Gain Control
- Signal / Overload Indicator
- Polarity Switch
- Switchable 48 V Phantom Power
- True differential Input
- Cross-coupled line driver
- Internal 100-240 VAC universal power supply

Features and Specifications

Parameter	Specification	Limit	Units	Conditions/Comments
Input Impedance	10k	1%	Ω	Balanced 5k + 5k
Gain Range	18 to 66	typ.	dB	
Phantom Power	+48	4%	V	10 mA max.
.....Impedance	6.81k	1%	Ω	Each leg
.....Load Regulation	0.1	typ.	%	0 to 14 mA
.....RMS CM Noise	.003	typ.	%	% of Vout (10 Hz to 10 kHz)
Max. Input Level	+10 / -32	min.	dBu	Gain 18 / 60, balanced output
Equivalent Input Noise	-128	typ.	dBu	20 kHz BW, Rs=150 Ω , Gain = 60 dB
Signal to Noise Ratio	96	typ.	dB	20 kHz BW, Rs=150 Ω , Gain = 18 dB, re 4 dBu
Dynamic Range	120 / 95	typ.	dB	Gain 18 / 66
CMRR	80	typ.	dB	Rs=150 Ω , 120 Hz, Gain = 60 dB
Frequency Response				
.....Gain 60 dB	45 to 200k	typ.	Hz	+0, -3dB
.....Gain 18 dB	30 to 200k	typ.	Hz	+0, -3db
THD+Noise (gain 60 dB)	.007 (Output=+20 dBu)	typ.	%	55 Hz to 20 kHz, 20 kHz BW, RI=10 k Ω
THD+Noise (gain 18 dB)	.001 (Output=+20 dBu)	typ.	%	50 Hz to 20 kHz, 20 kHz BW, RI=10 k Ω
Line Driver	Active Cross-coupled			Gain 5.2 / 6 dB typ. unbalanced / balanced
Max. Output Level	+22 / +27	min.	dBu	Unbalanced / Balanced, 2 k Ω load
Output Impedance	50	1%	Ω	Each Leg
Signal Indicator	2 / 8	typ.	dBu	Unbalanced / Balanced output, Green LED
Overload Indicator	14 / 20	typ.	dBu	Unbalanced / Balanced output, Amber LED
Output Cable Length	1000 feet / 300 meters	typ.		Belden 8451 or equivalent
Unit: Agency Listing	UL/cUL/CE			Pending
Maximum Power	3		W	
Universal Line Voltage	100-240		VAC	50/60 Hz
Power Cord	C5 cord to C6 inlet			IEC 60320-1
Unit Size	1.64"H x 6.8"W x 4.26"D			(4.2 cm x 17.3 cm x 10.8 cm)
.....Weight	1 lb 1 oz			(0.5 kg)
Shipping Size	3.6"H x 11.75"W x 7.2"D			(9.5 cm x 30 cm x 18 cm)
.....Weight	4 lb			(1.8 kg)

Block Diagram



Application Information

Uses and applications for the MS 1S should be obvious. But then again, it's obvious to us our taxes are too high and nothing is being done about that. With this in mind, perhaps a few words on using the MS 1S might not be wasted.

BALANCED USE

The MS 1S provides a true cross-coupled balanced output. This is equivalent to an electronic simulation of a transformer output. Rane follows the AES standard of pin 2 = hot.

When running a long cable back to the mixer, run a *line-level* balanced line rather than a mic-level line. The compact MS 1S can mount closer to the microphone, provide a local volume control (or not, just pull the knob off), while the stronger signal minimizes RF and hum irritations.

UNBALANCED USE

Balanced use is recommended to minimize noise. Unbalanced lines are usually quiet under 10 feet (3 meters), but longer runs will introduce the hum and interference you are trying to avoid. When you must drive an unbalanced device with the MS 1S's balanced output, keep the cable short, and connect pin 2 to the "+" or "hot" lead, and *tie pin 3 and ground together at the shield*.

MIXING

The MS 1S is designed to fill the need for adding a microphone channel to line-level mixers, such as the Rane SM 26S or SM 82S. Many installations using either of these products invariably wind up with one unused input that would do the job perfectly if only it could operate at mic-level. In rides the MS 1S to the rescue.

DIGITAL RECORDING AND SAMPLING

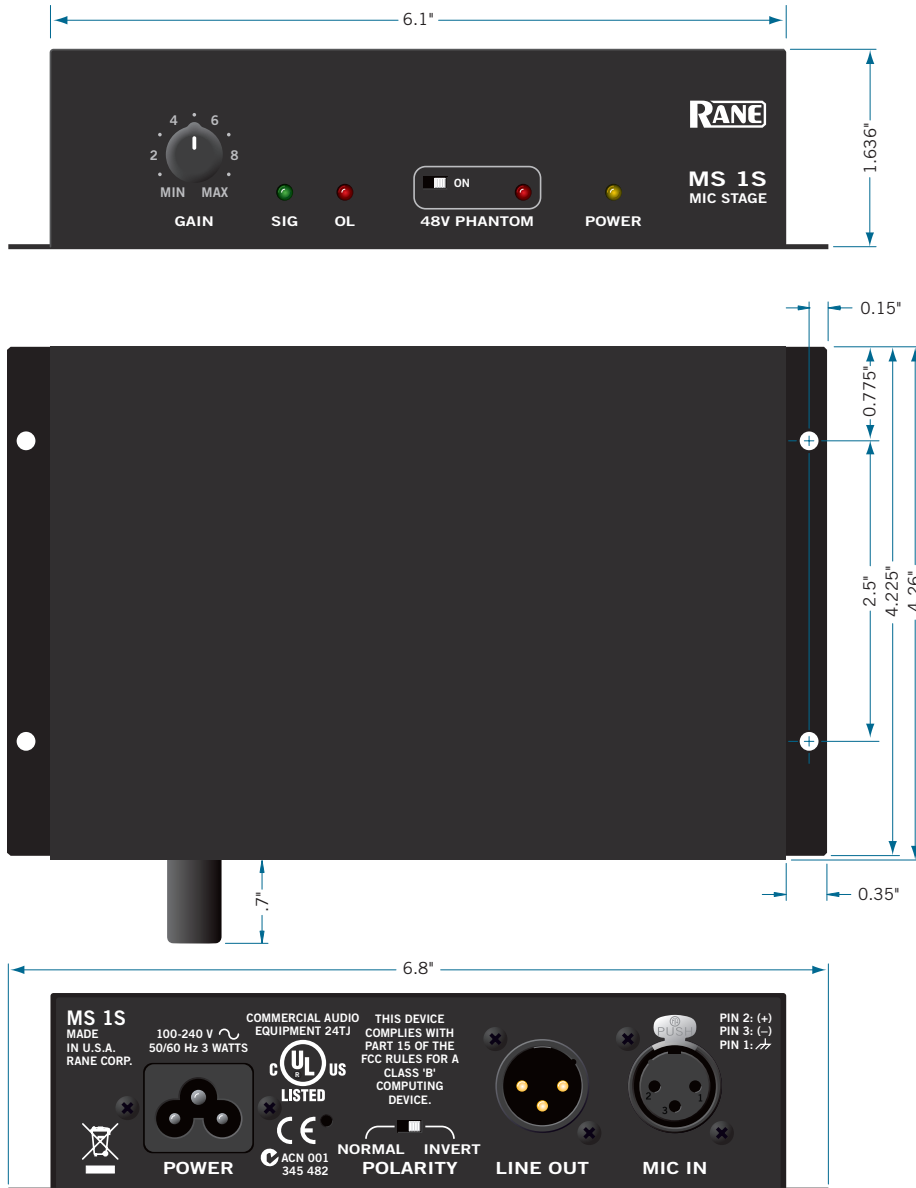
Another handy use for the MS 1S is in recording applications. Many popular products do not have a high enough quality mic preamp to suit the resolution of the digital processing electronics. Such irony. Using the ultra low noise MS 1S to bring the mic inputs up to extremely high quality line-level is an easy and affordable solution for this dilemma. No garbage in; no garbage out. *Clippity-clop; clippity-clop.*

MICROPHONE TYPES

The available gain and large input range of the MS 1S allows the use of virtually any type of microphone. True 48V phantom power guarantees the MS 1S works with every microphone. The better the mic, the better the MS 1S sounds.

Ah, the sound of the thundering hoofs is deafening.

Dimensions



Architectural Specifications

The microphone preamplifier shall be a single channel stand-alone unit with a removable IEC power cord. The unit shall accept voltages from 100 to 240 VAC. The input and output shall be fitted with XLR connectors. A polarity inverting switch shall be included. Phantom power of no less than 48 volts shall be provided in compliance with IEC 60268-15 and be controlled by a slide switch with an LED indicator. A gain control shall be provided with 18-66 dB adjustment range. Power, system signal and overload indicators shall be provided. High current cross-coupled active output line driver shall be standard, as well as input RFI filter protection.

The unit shall be a Rane MS 1S Microphone Stage.