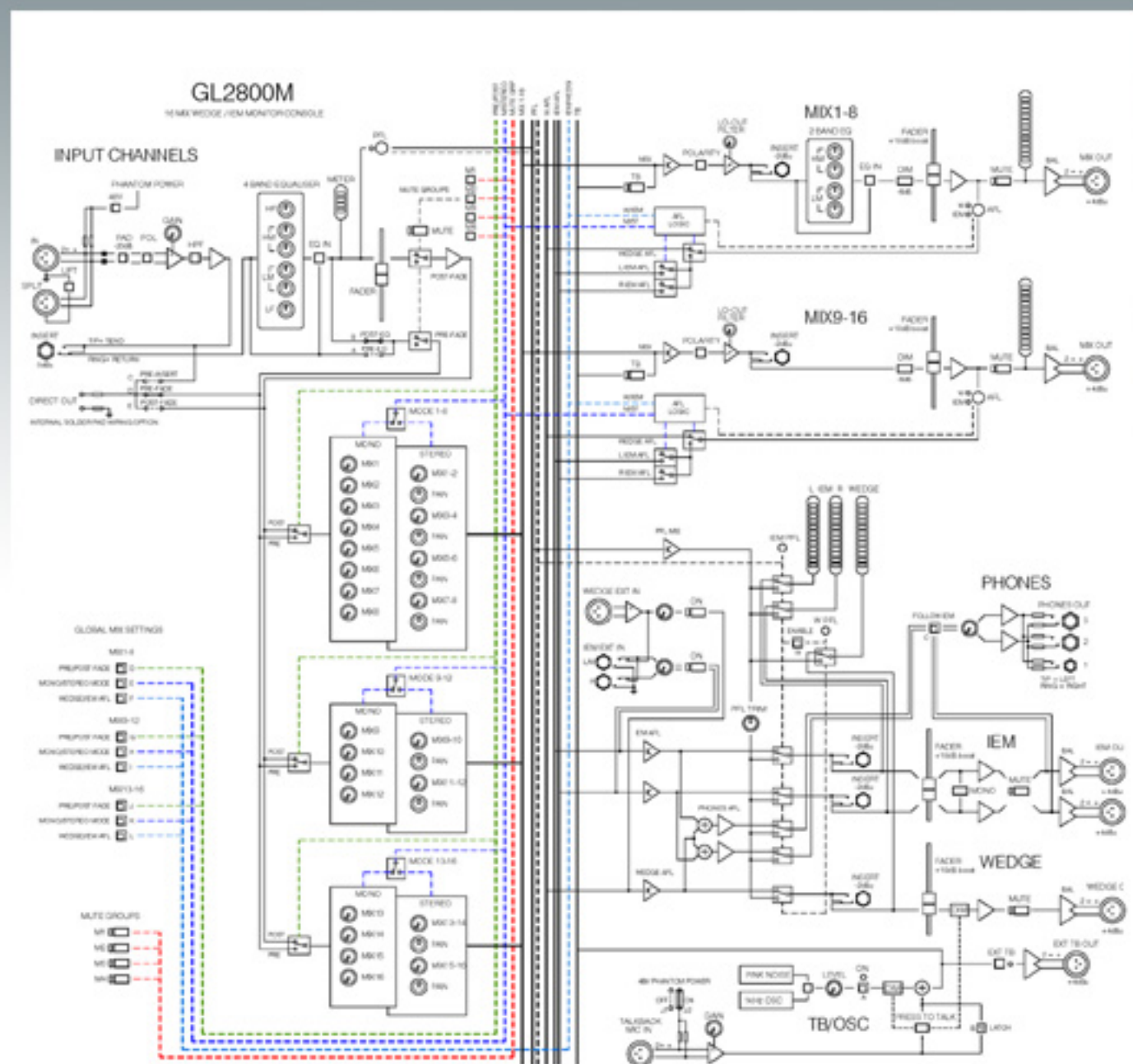


GL2800M MONITOR MIXER

Block Diagram



GL2800M MONITOR MIXER



- 16 mixes assignable as mono or stereo
- Built-in mic splitter
- 4 mute groups, true stereo IEM capability
- Dual output engineer's wedge/IEM monitor
- 24, 32, 40 and 48 channel frame sizes



ALLEN&HEATH
 w: www.allen-heath.com | www.glservices.com
 e: sales@allen-heath.com
 t: 01326 372070

AP6779

ALLEN&HEATH



